



REV.07.13.12
Designed by Gregory Kay - Patent #: D602,621

Compatible System Connectors



FJ-ADA-3-SN
Satin Nickel



Locking lens orientation



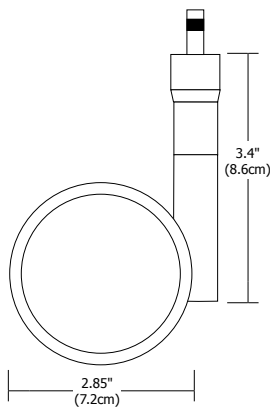
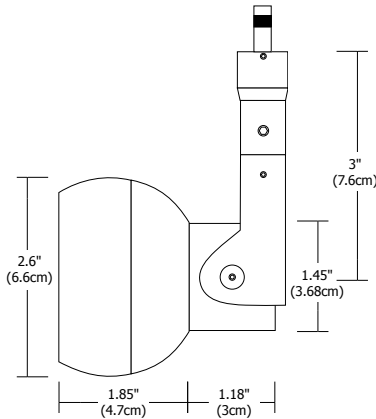
Hot aiming with self locking tilt mechanism



FJ-ADA-3-PN
Polished Nickel



FJ-ADA-3-WH
White



Description:

Combining performance features with contemporary appeal, the Adam's focus retention system allows precise hot-aiming and locks the 360° rotation, 180° tilt and optical lens orientation with an Allen screwdriver (included). Snap-off hood holds up to three accessory lenses and allows easy access for re-lamping while preserving focus.

System Compatibility:

Monorail (M) or Monorail 2 Circuit (M2) Use Fast Jack (FJ) version for FJ canopies

Finish:

Satin Nickel, Polished Nickel or White (only with Fast Jack Canopy)

Lamp Specification (sold separately):

Maximum 50 watt IR MR16 lamp GU 5.3 base - 12 or 24 volt
Maximum 37 watt IR MR16 lamp with white finish

Optical Accessories (sold separately):

Hexcell Louver, Snoot and Glass Lenses

Weight:

.84 lb (.38 kg)

System	Fixture	Height	Finish
FJ	ADA	3	SN
FJ Fast Jack M Monorail M2 Monorail 2 Circuit	ADA Adam	3 3.4"	SN Satin Nickel PN Polished Nickel WH White (only with FJ canopy)

PROJECT:

FIXTURE
TYPE:

DATE: