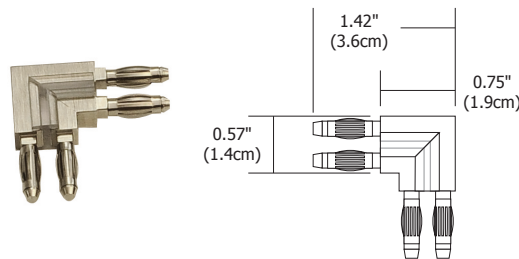


L-Ceiling Conductive Connector

L-Conductive Connector joins and electrically conducts two sections of Monorail Wall at 90° on a horizontal plane. Satin nickel or polished nickel finish.

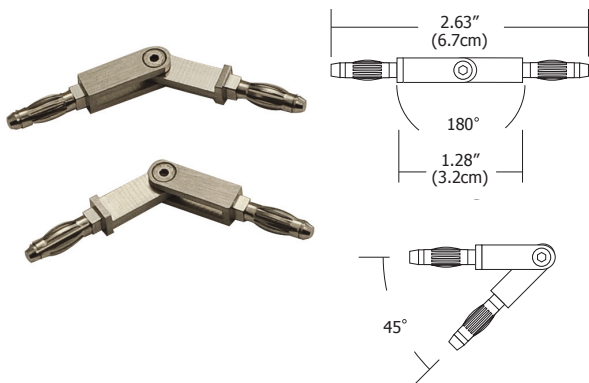
System	Type	Finish
MC	LC	SN
MC Monorail Connector	LC L-Ceiling	SN Satin Nickel PN Polished Nickel



L-Wall Conductive Connector

L-Conductive Connector joins and electrically conducts two sections of Monorail Wall at 90° from horizontal to vertical plane. Satin nickel or polished nickel finish.

System	Type	Finish
MC	LW	SN
MC Monorail Connector	LW L-Wall	SN Satin Nickel PN Polished Nickel



Flexible Conductive Connector

A pair of Flexible Conductive Connectors joins and electrically conducts two sections of Monorail Wall at any angle from 45° to 180° horizontal or vertical plane. Satin nickel or polished nickel finish.

System	Type	Finish
MC	FX	SN
MC Monorail Connector	FX Flexible	SN Satin Nickel PN Polished Nickel

PROJECT:

FIXTURE TYPE:

DATE: