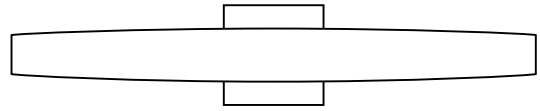


## Installation Instructions for Regal LED

### IMPORTANT SAFETY INSTRUCTIONS

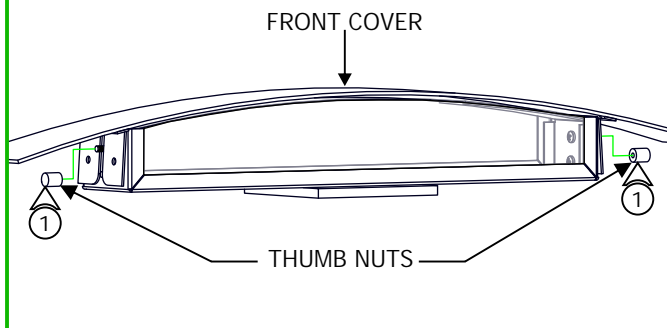
- Use this fixture indoors only.
- This product is ETL listed for indoor dry locations.
- This product is wall mounted only.
- This product can mount to either a 4" square junction box with round plaster ring or an octagon junction box.
- This product can be dimmed with a standard low-voltage electronic dimmer.
- This product must be installed by a qualified electrician.
- Before beginning any electrical work, ensure that power to the junction box is turned OFF.

**SAVE THESE INSTRUCTIONS!**



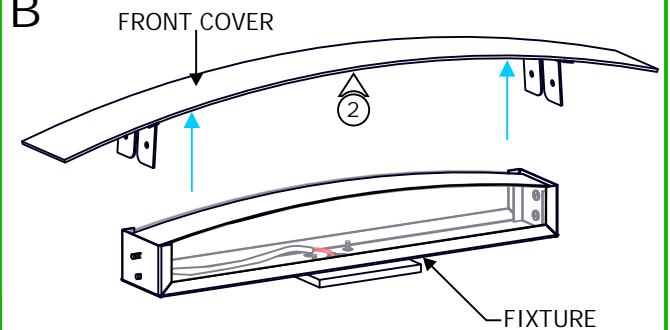
## Install the Fixture

**A**



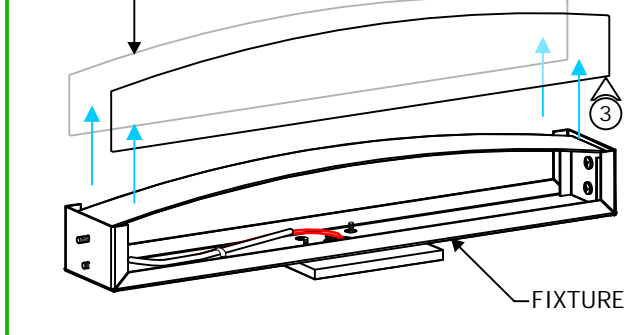
- 1: Remove the two thumb nuts on the sides of the fixture body to detach front cover.

**B**



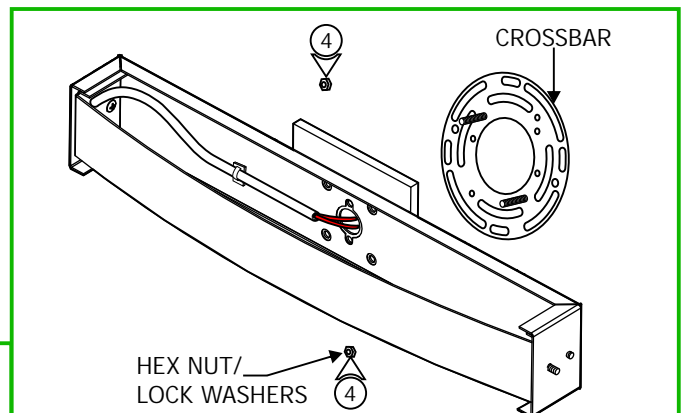
- 2: Remove the front cover from the fixture.

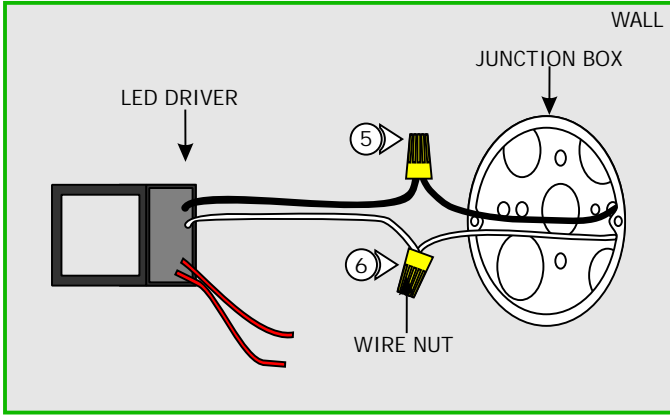
GLASS PANEL



- 3: Slide the glass panels out of the slots in the fixture.

- 4: Loosen and remove the two hex nuts and lock washers from the center of fixture body to remove the crossbar assembly.

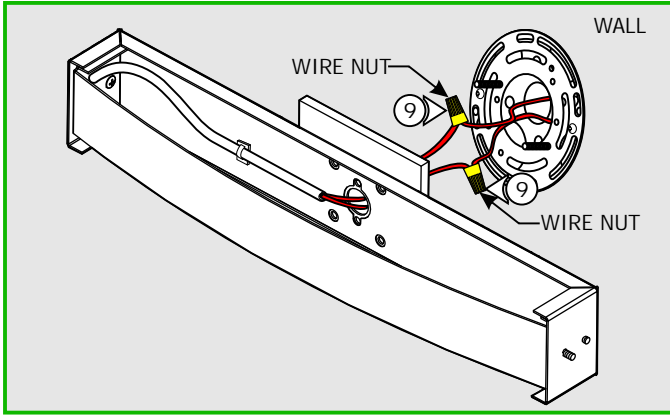
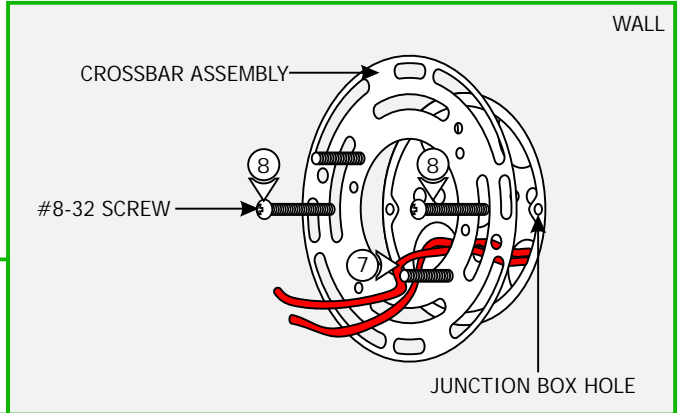




**NOTE:** Make sure the power to the electrical box is off before continuing.

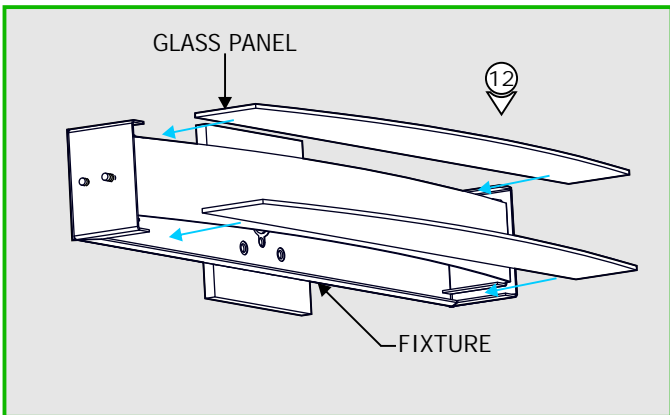
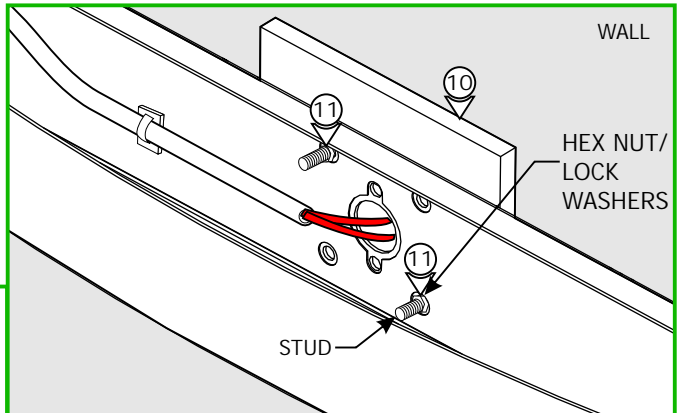
- 5: Connect the black LED driver wire to the HOT wire in the junction box.
- 6: Connect the white LED driver wire to the NEUTRAL wire in the junction box. Place wire connections and LED driver into the junction box.

- 7: Feed the power wires through the crossbar assembly center hole.
- 8: Mount the crossbar assembly to the junction box holes with the provided two #8-32 screws.



- 9: Connect each fixture wire to one red LED driver wire using wire nuts.

- 10: Slide the canopy holes onto the threaded crossbar studs
- 11: Secure the fixture to the crossbar studs using the two hex nuts and lock washers.



- 12: Slide the glass panels into top and bottom of slots of the fixture.

- 13: Replace the front cover.
- 14: Replace the thumb nuts onto the mounting screws and tighten to secure front cover in place.

