

# SS1 SOFT STRIP 1.4W 24VDC LOW OUTPUT, ECONOMY GRADE (75+CRI)

REV09.09.14



SS1-24V-\_-WW

**Maximum Length  
Before Refeeding: 40 Ft\***

LENGTH IN FEET	TOTAL WATTAGE	LENGTH IN FEET	TOTAL WATTAGE
1	2	21	30
2	3	22	31
3	5	23	33
4	6	24	34
5	7	25	35
6	9	26	37
7	10	27	38
8	12	28	40
9	13	29	41
10	14	30	42
11	16	31	44
12	17	32	45
13	19	33	47
14	20	34	48
15	21	35	49
16	23	36	51
17	24	37	52
18	26	38	54
19	27	39	55
20	28	40	56

\*32 Ft maximum when used with TEB-60L-24DC



SS1-24V-4IN-\_-  
4 Inch Soft Strip

**Description:**

Soft Strip (SS1) provides accent light with warm white or very warm white LEDs. At less than a 3/8" wide, the flexible copper strip, with an optically clear protective coating, is sold in 1 foot increments up to 40 feet. Includes easy plug-in connectors on each end and 6 ft power feed cable. For custom lengths, smaller segments are available in 4 inch increments (sold separately). Use plug-in flexible connectors for making turns and custom configurations. At only 1.4 watts per foot, this economical system dims with an electronic low-voltage or 0-10V dimmer. Self-adhering SS1 mounts to most smooth finished surfaces with industrial strength 3M tape (provided on back of strip); some unfinished surfaces may require screw-in mounting clips (sold separately). Designed for indoor, open-air environments, SS1 includes a flexible aluminum heat sink to extend LED life. Fixtures include a 5 year warranty.

**Applications:**

Indoor Only - Inside cabinet, wine cellar, steps, behind mirrors, handrails, inside drawers, niches and toe kicks. ETL listed to conform to UL 2108 for closet and under-cabinet applications

**Lamp:**

18 warm white (3050K) or very warm white (2660K) LEDs per foot, 75+ CRI  
Warm White: 74 lumens per foot  
LED lamps consume 1.4 watts per foot at 24VDC  
44 lumens per watt (including power supply)

**Average Lamp Life:**

32,000 hours

**Power Supply (24VDC):**

**TEB-60L-24DC** 120VAC input, 60 watt output (32 ft max)  
**PSB-96W-010-24VDC** 120-277VAC input, 96 watt output (40 ft max)  
**PSB-100W-ELV-24VDC** 120VAC input, 96 watt output (40 ft max)  
**PSB-2X96W-010-24VDC** 120-277VAC input, 2x96 watt output (40 ft max)  
**PSB-2X100W-ELV-24VDC** 120VAC input, 2x96 watt output (40 ft max)

**Dimming:**

010 power supplies use 0-10V dimmer: Philips Sunrise SR1200ZTUNV.  
ELV power supplies use ELV dimmer: Legrand, Adorne ADTP703TU;  
Lutron: Diva DVELV-300P, Skylark SELV-300P, Maestro MAELV-600 and Radio Ra 2

**Mounting Straps & Clips:**

**SS-SU**

Use U-Strap every 6 to 12 inches for extra support (30 per package).

**SS-ST**

Use Tie Strap every 6 to 12 inches for extra support (30 per package).

**SS1-MCL**

Mounts beneath strip, snapping strip in place for additional support (10 per package).

System	Voltage	Length	Color Temperature
<b>SS1</b>	<b>24V</b>	<b>4IN</b>	<b>WW</b>
SS1 Soft Strip 1.4W per Ft	24V 24 Volt	4IN 4 Inch	WW Warm White (3,050K) VW Very Warm White (2,660K)

System	Voltage	Length in Feet	Color Temperature
<b>SS1</b>	<b>24V</b>	<b>40</b>	<b>WW</b>
SS1 Soft Strip 1.4W per Ft	24V 24 Volt	Sold in 1 ft increments up to 40ft (Example 40=40')	WW Warm White (3,050K) VW Very Warm White (2,660K)

PROJECT:

FIXTURE  
TYPE:

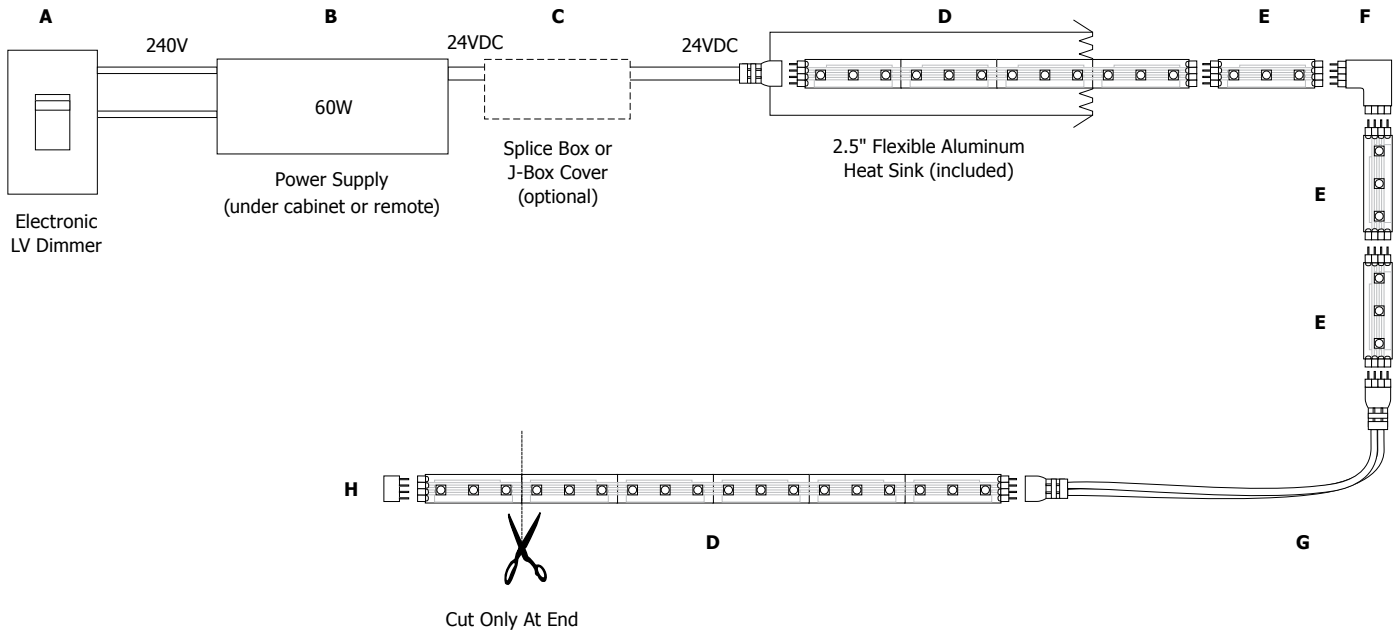
DATE:



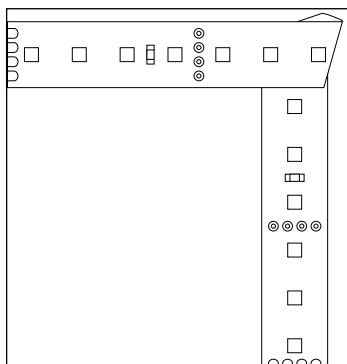
**Application:** Electronic low-voltage dimming for SS1 Soft Strip

**Power Supply:** 120VAC input, 24VDC 60 watt output TEB-60L-24DC

**Dimming:** Dimmable with low voltage electronic dimmer using power supply above. See power supply spec sheet for additional details. Lutron: Diva DVELV-300P; Skylark SELV-300P; Maestro MAELV-600 dimmers are recommended



STRIP **DOES NOT** BEND 90°



- A. Lutron Dimmers  
Diva **DVELV-300P** or Skylark **SELV-300P**
- B. 60W 24VDC Power Supply  
**TEB-60L-24DC**
- C. Splice Box or Junction Box  
Cover (optional)
- D. Soft Strip, WW or VW  
**SS1-24V-\_-\_-**  
sold by the foot; up to 40 ft w/  
plug-in connector on each end
- E. Soft Strip, WW or VW  
**SS1-24V-4IN -\_-**  
4 inch segment
- F. L-Connector  
**SS-CL**
- G. Flexible Connector  
**SS-CFX-\_-**  
3, 6, 12, 36, 96 or 144"
- H. End Cap Connector  
**SS-CEC**

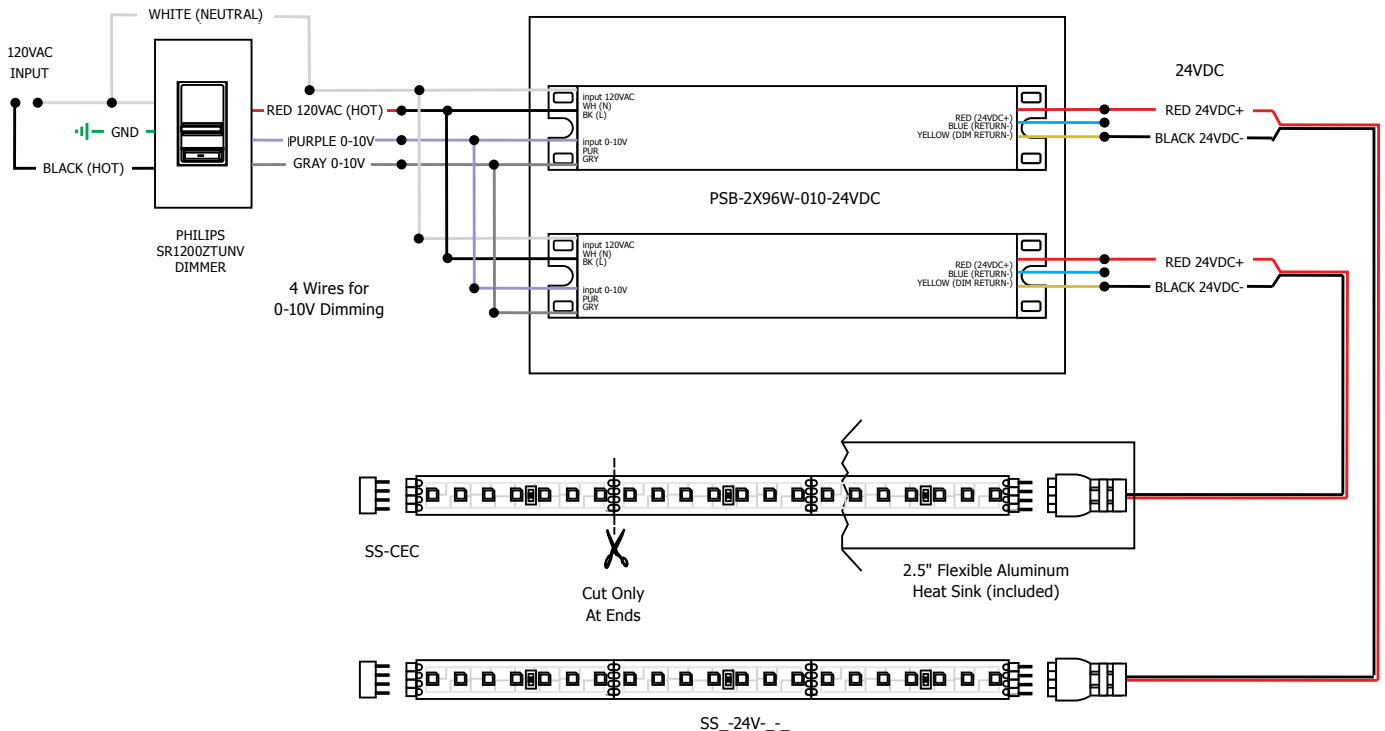
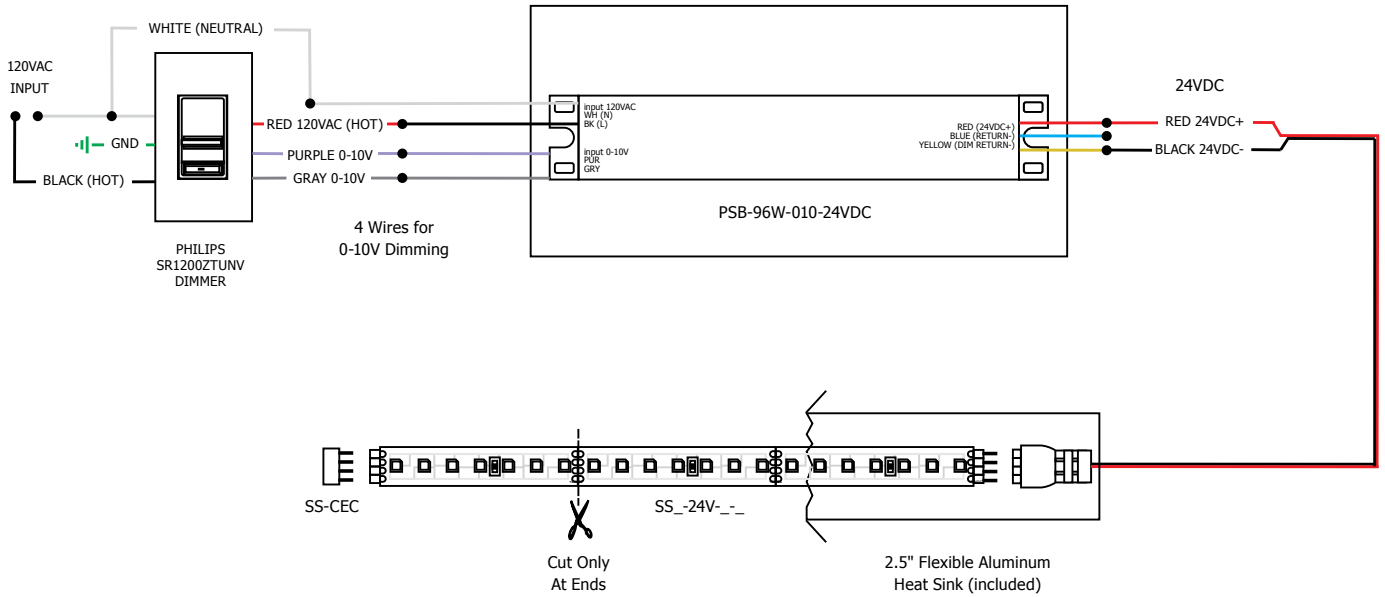
PROJECT: \_\_\_\_\_ FIXTURE TYPE: \_\_\_\_\_ DATE: \_\_\_\_\_



**Application:** 0-10V dimming for SS1 Soft Strip

**Power Supply:** Class 2, 24VDC output: 120-277VAC input, 96 watt output PSB-96W-010-24VDC;  
120-277VAC input, 192 watt output PSB-2X96W-010-24VDC

**Dimming:** Dimmable with 0-10V dimmer using power supply above. See power supply spec sheet for additional details. Philips Sunrise SR1200ZTUNV, 0-10V dimmer recommended.



PROJECT:

FIXTURE TYPE:

DATE: