

# SS3 SOFT STRIP 2.4W 24VDC HIGH OUTPUT, ECONOMY GRADE (75+CRI)



SS3-24V-\_-WW

**Maximum Length  
Before Refeeding: 40 Ft\***

LENGTH IN FEET	TOTAL WATTAGE	LENGTH IN FEET	TOTAL WATTAGE
1	3	21	51
2	5	22	53
3	8	23	56
4	10	24	58
5	12	25	60
6	15	26	63
7	17	27	65
8	20	28	68
9	22	29	70
10	24	30	72
11	27	31	75
12	29	32	77
13	32	33	80
14	34	34	82
15	36	35	84
16	39	36	87
17	41	37	89
18	44	38	92
19	46	39	94
20	48	40	96

\*25 Ft maximum when used with TEB-60L-24DC

**Description:**

Soft Strip (SS3) provides high levels of light with warm white or very warm white LEDs. The 1/2" wide flexible copper strip, with optically clear protective coating is sold in 1 ft increments up to 40 feet. Includes plug-in connectors on each end and 6 ft power feed cable. For custom lengths, smaller segments are available in 4 inch increments (sold separately). Use plug-in flexible connectors for making turns and custom configurations. At only 2.4 watts per foot, this economical system dims with an electronic low-voltage or 0-10V dimmer. Self-adhering SS3 mounts to most smooth finished surfaces with industrial strength 3M tape (provided on back of strip); some unfinished surfaces may require screw-in mounting clips (sold separately). Designed for indoor, open-air environments, SS3 includes a flexible aluminum heat sink to extend LED life. Fixtures include a 5 year warranty.

**Applications:**

Indoor Only - Task lighting, inside/under/above cabinet, office work stations, wine racks, shelves, accent and toe kicks. ETL listed to conform to UL 2108 for closet and under-cabinet applications.

**Lamp:**

18 warm-white (3,070K) or very warm-white (2,540K) LEDs per foot 75+ CRI  
 Warm White: 161 lumens per foot  
 LED lamps consume 2.4 watts per foot at 24VDC  
 48 lumens per watt (including power supply)

**Average Lamp Life:**

32,000 hours

**Power Supply (24VDC):**

**TEB-60L-24DC** 120VAC input, 60 watt output (25 ft max)  
**PSB-96W-010-24VDC** 120-277VAC input, 96 watt output (40 ft max)  
**PSB-100W-ELV-24VDC** 120VAC input, 96 watt output (40 ft max)  
**PSB-2X96W-010-24VDC** 120-277VAC input, 2x96 watt output (40 ft max)  
**PSB-2X100W-ELV-24VDC** 120VAC input, 2x96 watt output (40 ft max)

**Dimming:**

010 power supplies use 0-10V dimmer: Philips Sunrise SR1200ZTUNV.  
 ELV power supplies use ELV dimmer: Legrand, Adorne ADTP703TU;  
 Lutron: Diva DVELV-300P, Skylark SELV-300P, Maestro MAELV-600 and Radio Ra 2

**Mounting Straps & Clips:**

**SS-SU**

Use U-Strap every 6 to 12 inches for extra support (30 per package).

**SS-ST**

Use Tie Strap every 6 to 12 inches for extra support (30 per package).

**SS-MCL**

Mounts beneath strip, snapping strip in place for additional support (10 per package).



SS3-24V-4IN-WW  
4 Inch Soft Strip

System	Voltage	Length	Color Temperature
<b>SS3</b>	<b>24V</b>	<b>4IN</b>	<b>WW</b>
SS3 Soft Strip 2.4W per Ft	24V 24 Volt	4IN 4 Inch	WW Warm White (3,070K) VW Very Warm White (2,540K)

System	Voltage	Length in Feet	Color Temperature
<b>SS3</b>	<b>24V</b>	<b>40</b>	<b>WW</b>
SS3 Soft Strip 2.4W per Ft	24V 24 Volt	Sold in 1 ft increments up to 40ft (Example 40=40')	WW Warm White (3,070K) VW Very Warm White (2,540K)

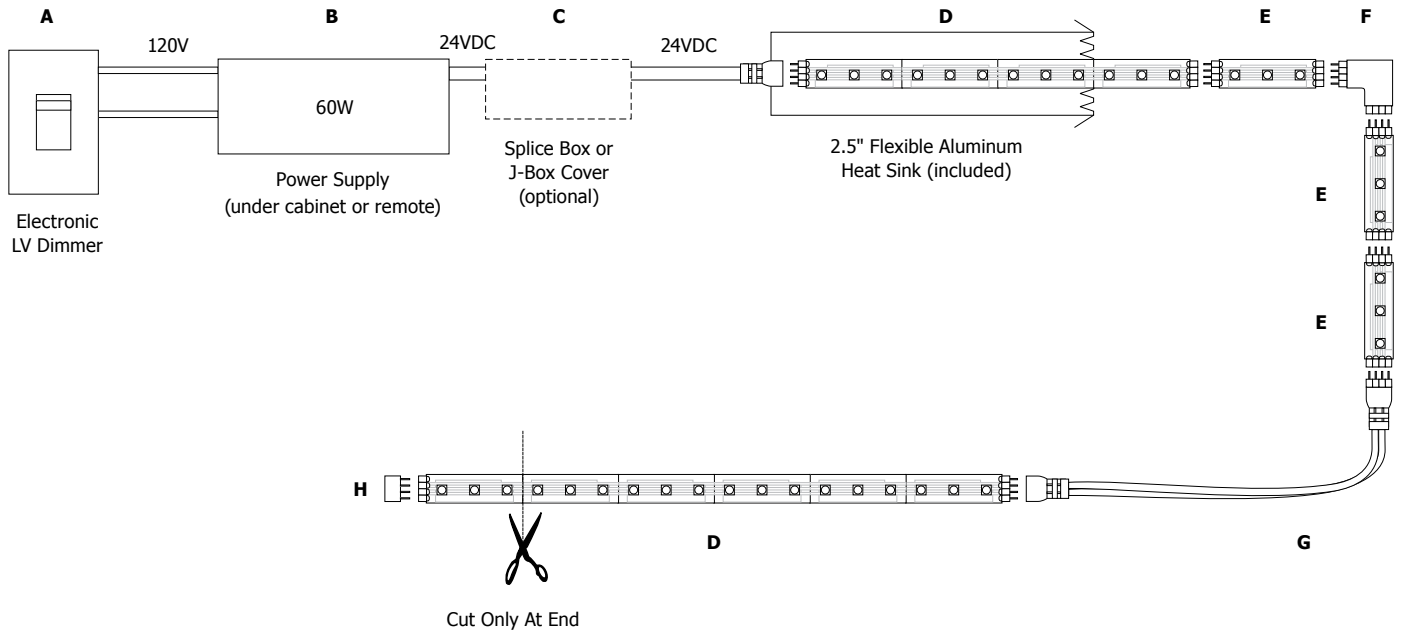
PROJECT: \_\_\_\_\_ FIXTURE TYPE: \_\_\_\_\_ DATE: \_\_\_\_\_



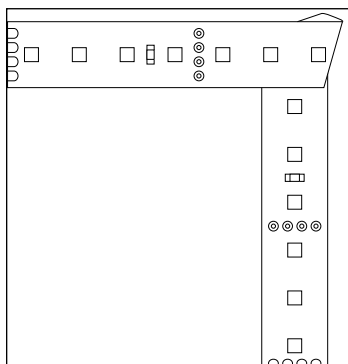
**Application:** Electronic low-voltage dimming for SS3 Soft Strip

**Power Supply:** 120VAC input, 24VDC 60 watt output TEB-60L-24DC

**Dimming:** Dimmable with low voltage electronic dimmer using power supply above. See power supply spec sheet for additional details. Lutron: Diva DVELV-300P; Skylark SELV-300P; Maestro MAELV-600 dimmers are recommended.



STRIP DOES NOT BEND 90°



- A. Lutron Dimmers  
Diva **DVELV-300P**  
or Skylark **SELV-300P**
- B. 60W 24VDC Power Supply  
**TEB-60L-24DC**
- C. Splice Box or Junction Box Cover  
(optional)
- D. Soft Strip, WW or VW  
**SS3-24V-\_-\_-**  
sold by the foot; up to 40 ft with  
plug-in connector on each end
- E. Soft Strip, WW or VW  
**SS3-24V-4IN -\_-**  
4 inch segment
- F. L-Connector  
**SS-CL**  
L-shaped plug-in connector
- G. Flexible Connector  
**SS-CFX-\_-**  
3, 6, 12, 36, 96, or 144"
- H. End Cap Connector  
**SS-CEC**

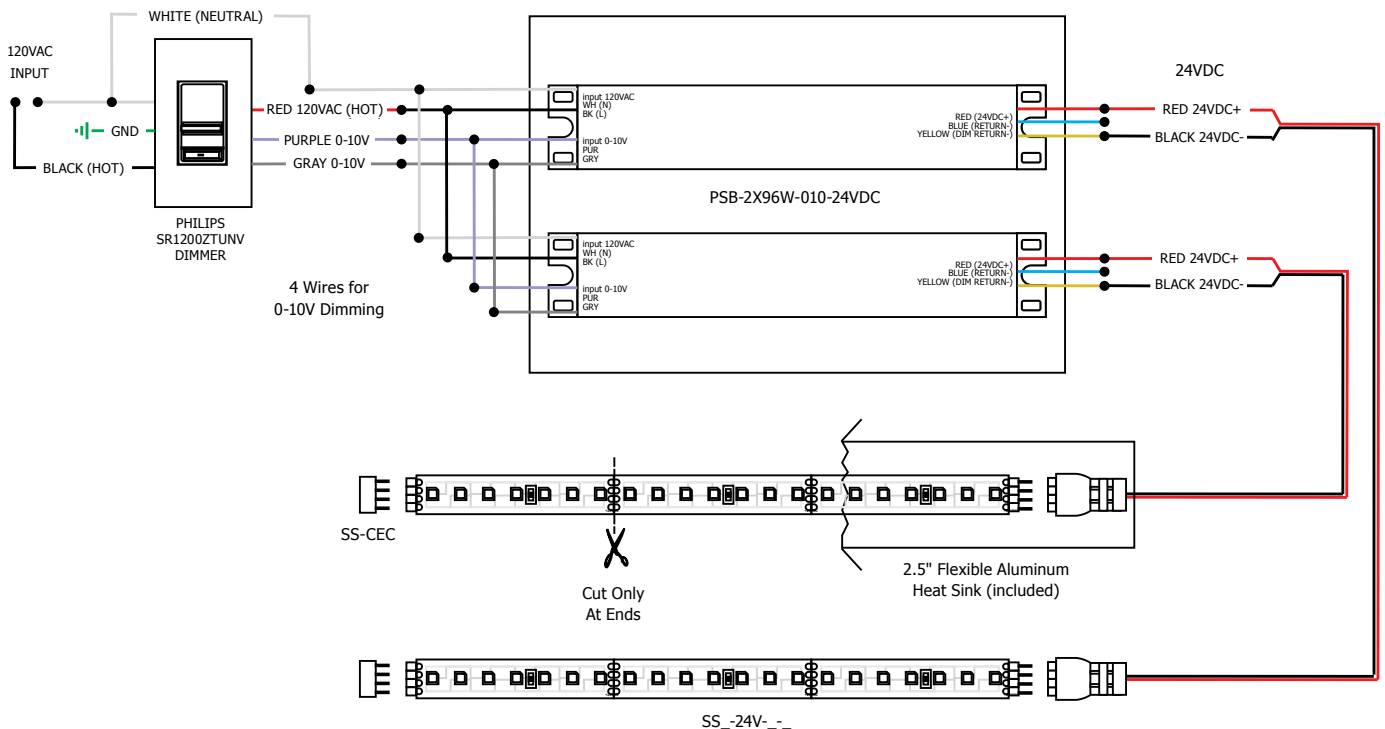
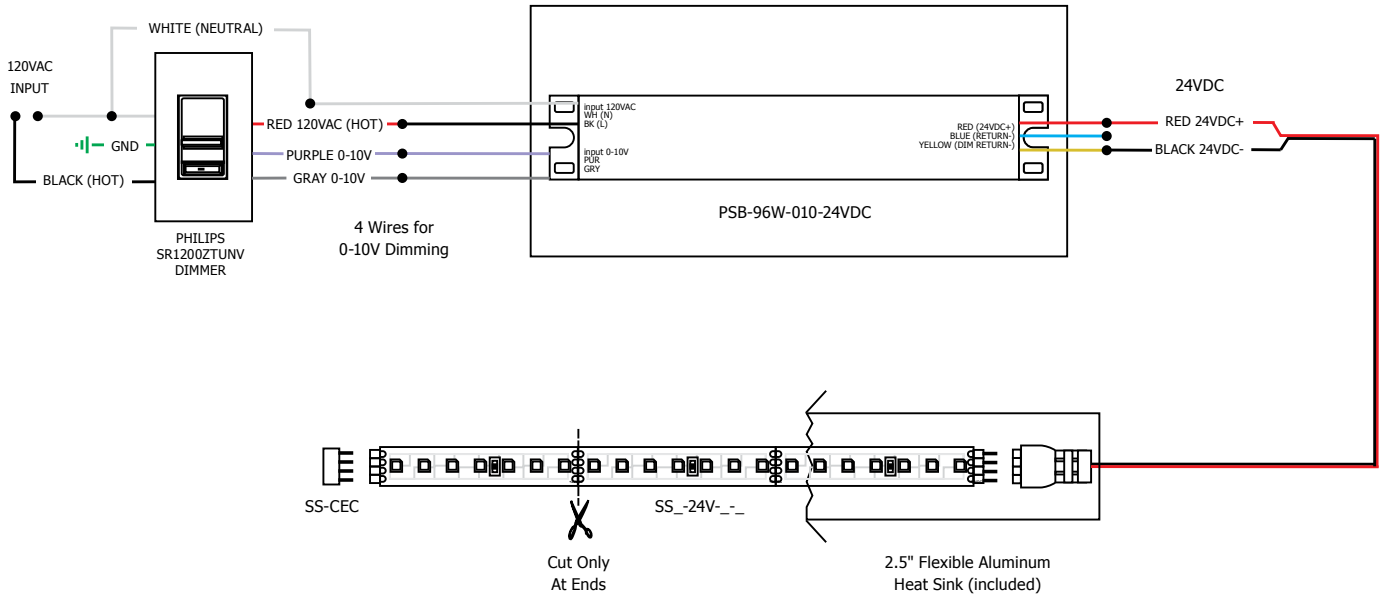
PROJECT: \_\_\_\_\_ FIXTURE TYPE: \_\_\_\_\_ DATE: \_\_\_\_\_



**Application:** 0-10V dimming for SS3 Soft Strip

**Power Supply:** Class 2, 24VDC output: 120-277VAC input, 96 watt output PSB-96W-010-24VDC;  
120-277VAC input, 192 watt output PSB-2X96W-010-24VDC

**Dimming:** Dimmable with 0-10V dimmer using power supply above. See power supply spec sheet for additional details. Philips Sunrise SR1200ZTUNV, 0-10V dimmer recommended.



PROJECT:

FIXTURE TYPE:

DATE: