



Project: \_\_\_\_\_

Fixture Type: \_\_\_\_\_

Location: \_\_\_\_\_

Contact/Phone: \_\_\_\_\_

# TRAC 12 LED MINI-FLOOD 12-VOLT AC TL103LED

## PRODUCT DESCRIPTION

The Trac 12 LED Mini-Flood approximates the lumen output and light distribution of 20W halogen flood, utilizing less than 1/4 of the energy and having a rated life of 50,000 hours. Available in 3000K and 4100K color temperatures, the white-light TL103LED Series is compatible with standard Trac 12 and Trac 12/25 trac, operating with 12V AC power. The TL103LED can be placed anywhere along the Trac, plus it can be rotated and aimed in any direction, making the Trac 12 LED Mini-Flood fixture a versatile linear lighting choice. It can also be used within display cases and cabinets, providing a crisp wash of light over the illuminated objects.

## PRODUCT SPECIFICATIONS

**LED** Citizen Electronics package using Nichia LEDs provides outstanding reliability, performance and color quality/consistency

- 3000K or 4100K white phosphor low power LED designed to operate using 12-volt AC input • 70+ CRI.

**Housing** Die-cast aluminum with clear thermoplastic lens.

**Aiming** 90° vertical aiming capability and 360° horizontal coverage.

**Electrical Contacts** Beryllium copper.

**Trac** Refer to specification sheets [D3.1.0](#) and [D3.1.1](#).

**Transformers/Drivers** Compatible with all 12VAC Trac 12 and Trac 12/25 Remote Mount Magnetic Transformers – refer to specification sheets [D3.1.3](#) or [D3.1.6](#) or [D3.1.10](#) • Compatible with all 12VAC TL601E and TL602E Electronic Drivers – refer to specification sheets [D3.1.8](#) or [D3.1.9](#).

**Dimming** May be dimmed with dimmers tested and qualified by Juno for use with the non-resistive TL103LED Series load – see transformer/driver specifications for compatible dimmers

- Color temperature remains constant over dimming range
- Consult factory for additional information.

**Warranty** Warranty period is 5 years on LED components from date of purchase • Standard Juno Lighting Group product guarantee terms and conditions apply • Continuously operating the TL103LED above 12VAC will void the warranty.

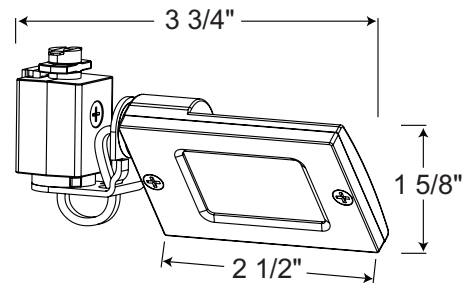
**Labels** UL/cUL listed for use with Trac 12 and Trac 12/25 trac.

Product specifications subject to change without notice.

## PRODUCT CODES

Catalog Number	Wattage	Color Temperature	Finish
TL103LED-3K-WH	4W	3000K	White
TL103LED-3K-BL	4W	3000K	Black
TL103LED-3K-SL	4W	3000K	Silver
TL103LED-4K-WH	4W	4100K	White
TL103LED-4K-BL	4W	4100K	Black
TL103LED-4K-SL	4W	4100K	Silver

## DIMENSIONS



## PERFORMANCE DATA<sup>1</sup>

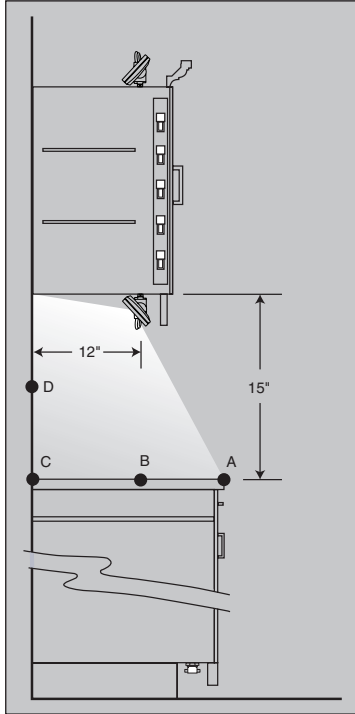
Catalog Number	Input Voltage	Watts (Maximum)	Lumens	Efficacy (LPW)	Rated Life (Hours)
TL103LED-3K	12.0V	4.4W	192	44	50,000
TL103LED-4K	12.0V	4.4W	217	49	50,000

<sup>1</sup>Performance data, including Rated Life, is based on measurements of an individual fixture operating in a 25°C ambient. In practice, multiple fixtures used in a system will average slightly lower power consumption due to voltage drop within the system.

Note: For operation at 11.5 volts multiply Lumens by 0.94.

# TRAC 12 LED MINI-FLOOD 12-VOLT AC TL103LED

## Cabinetry Lighting Guidelines



**Over Cabinets** Trac 12, using TL103LEDs spaced 12" on-center, generally provides excellent indirect lighting. For lower-level mood lighting, use TL103LEDs with closer lamp spacing. Placing the fixture at the front edge of the cabinet top will project light into the space and illuminate any displayed objects. Locate top of lamp even with top edge of cove molding to prevent a harsh shadow line.

**Under Cabinets** Placing Juno Trac 12 at the front lip of the cabinet conceals the fixture from view, minimizes veiling reflections, and provides maximum light on the working area of the countertop.

Footcandles on Horizontal Work Surface <sup>1,2</sup>						
Cat #	Color Temp	O.C. Spacing	Footcandles			
			A	B	C	D
TL103LED-3K	3000K	12"	31	78	48	38
TL103LED-4K	4100K	12"	36	89	55	44

Note: Shiny countertops may cause lamp image reflections.

Lumens Per Foot <sup>1</sup>					
Catalog Number	Lamp Spacing				
	2 1/4"	3"	4"	6"	12"
TL103LED-3K (3000K)	-	-	576	384	192
TL103LED-4K (4100K)	-	-	651	434	217

Maximum Trac Run Length Per 20A Circuit <sup>3</sup>						
Catalog Number		Lamp Spacing				
		2 1/4"	3"	4"	6"	12"
TL103LED-3K	Electronic	-	-	5'	8'	8'
TL103LED-4K	Magnetic	-	-	18'	27'	35'

<sup>1</sup> Photometrics taken with Mini-Flood in a horizontal position. Rotate fixture to achieve desired lighting affect.

<sup>2</sup> Data shown is for operation at 12-volts. For operation at 11.5-volts, multiply by 0.94.

<sup>3</sup> Based on 20% maximum light output decrease between first and last fixture on trac due to voltage drop; to utilize full capacity of trac and transformers, individual transformer circuits may have to feed multiple runs using separate feed points.