

INSTALLATION INSTRUCTIONS

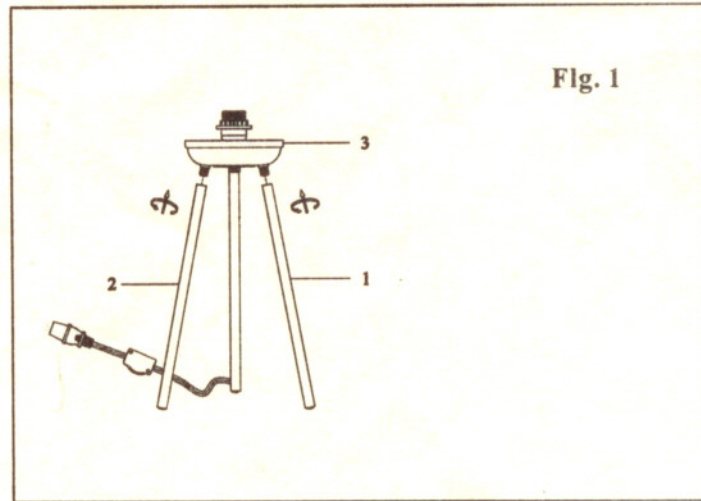
For model#: P517-1-084

WARNING

- Risk of shock, do not plug in the unit before assembly.
- Do not exceed the maximum wattage rating. (MAX 60W)
- Before you begin assembly of your new fixture, please follow the instruction manual step by step.

Assembly

- 1: connect tube (1) to cup (3)
- 2: connect tube (2) to cup (3)
- 3: You installation had been complete, you can Adjust loading as needed by the bulb



SAVE THESE INSTRUCTION

IMPORTANT SAFETY INSTRUCTIONS

This portable lamp has a polarized plug (one blade is wider than the other) as a safety feature to reduce the risk of electric shock. This plug will fit in a polarized outlet only one way. If the plug does not fit fully in the outlet, reverse the plug. If it still does not fit, contact a qualified electrician. Never use with an extension cord unless plug can be fully inserted. Do not alter the plug.

This lamp use line 3-way on /off switch. Please E26 medium base ,A19 light bulb 60W