

Receptacles and Plug for Dimming Use

4 / 8 / Wireless Series
Accessories
N/A
Architectural & Designer-Style

The receptacles and plug for dimming use allow lamps to be dimmed by HomeWorks® system dimming controls.

DIMMING RECEPTACLES

Dimming receptacles work just like standard receptacles, but are designed to reject standard plugs. Lutron dimming receptacles will only accept a *Lutron* dimmable lamp plug. By accepting only the special dimmable plugs, these receptacles are certified to be controlled by a dimmer or dimming module. Duplex dimming receptacles denoted by DFDU, have two dimming receptacles. Half dimming receptacles, denoted by HFDU, have one dimming receptacle and one standard receptacle.

DIMMABLE LAMP PLUG (RP-FDU-10-)

Dimmable lamp plugs easily replace the existing plugs on lamps. The plug separates for access to the screw terminals, where the lamp cord is attached after cutting off the original plug.

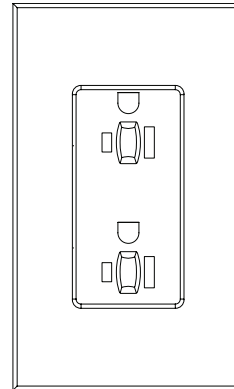
FINISHES AND COLORS

Dimming receptacles are available in Architectural matte finish plastic colors, Architectural metal finishes, and Satin Colors® finishes. Custom paint matching is also available. Please contact Lutron Customer Service or your local Lutron Representative for details and pricing. See Appendix F: Colors & Finishes.

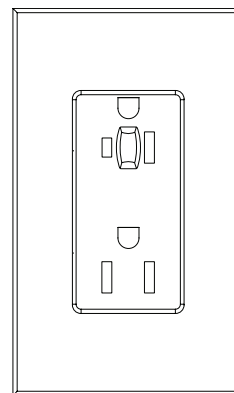
Dimmable lamp plugs are available in White (WH) or Brown (BR).

LOAD RATINGS

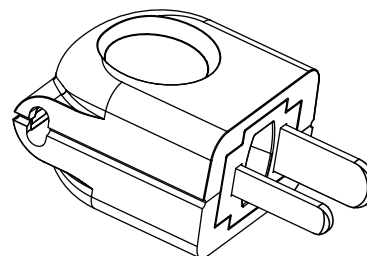
The NTR-15-DFDU is a 15 A receptacle. The NTR-20-DFDU is a 20 A receptacle. The NTR-15-HFDU is a 15 A receptacle. The NTR-20-HFDU is a 20 A receptacle. The maximum load that may be connected to a dimming receptacle is also limited by the dimming control's rating. The RP-FDU-10 is a 10 A plug.



**Duplex Dimming Receptacle
(NTR-15-DFDU-)**



**Half Dimming Receptacle
(NTR-15-HFDU-)**



**Dimmable Lamp Plug
(RP-FDU-10-)**

Receptacles and Plug for Dimming Use (cont.)

Dimming Receptacles

Model Number	NTR-15-DFDU-: 15 A Architectural-style duplex dimming receptacle NTR-20-DFDU-: 20 A Architectural-style duplex dimming receptacle NTR-15-HFDU-: 15 A Architectural-style half dimming receptacle NTR-20-HFDU-: 20 A Architectural-style half dimming receptacle SCR-15-DFDU-: 15 A Designer-style duplex dimming receptacle SCR-20-DFDU-: 20 A Designer-style duplex dimming receptacle SCR-15-HFDU-: 15 A Designer-style half dimming receptacle SCR-20-HFDU-: 20 A Designer-style half dimming receptacle
Input Voltage	125 V \sim 60 Hz
Regulatory Approvals	UL, CSA, NOM
Load Types	Specified by dimming control
Maximum Load	NTR-15-DFDU-: 15 A, not to exceed load rating of controlling device(s) NTR-20-DFDU-: 20 A, not to exceed load rating of controlling device(s) NTR-15-HFDU-: 15 A, not to exceed load rating of controlling device(s) NTR-20-HFDU-: 20 A, not to exceed load rating of controlling device(s) SCR-15-DFDU-: 15 A, not to exceed load rating of controlling device(s) SCR-20-DFDU-: 20 A, not to exceed load rating of controlling device(s) SCR-15-HFDU-: 15 A, not to exceed load rating of controlling device(s) SCR-20-HFDU-: 20 A, not to exceed load rating of controlling device(s)
Environment	Ambient operating temperature: 0 °C to 40 °C, 32 °F to 104 °F Ambient operating humidity: 0-90% humidity, non-condensing. Indoor use only.
Dimensions	2 ²³ / ₃₂ " (69 mm) x 4 ⁹ / ₁₆ " (116 mm) <i>see figure 1, page 86</i>
Shipping Weight	0.2 lbs. (0.1 kg)

Dimmable Lamp Plug

Model Number	RP-FDU-10-: Lamp Plug for dimming use
Input Voltage	125 V \sim 60 Hz
Regulatory Approvals	UL, CSA, NOM
Load Types	Specified by dimming control
Maximum Load	10 A
Environment	Ambient operating temperature: 0 °C to 40 °C, 32 °F to 104 °F Ambient operating humidity: 0-90% humidity, non-condensing. Indoor use only.
Dimensions	<i>See figure 2, page 86</i>
Shipping Weight	0.1 lb. (0.05 kg)

Receptacles and Plug for Dimming Use (cont.)

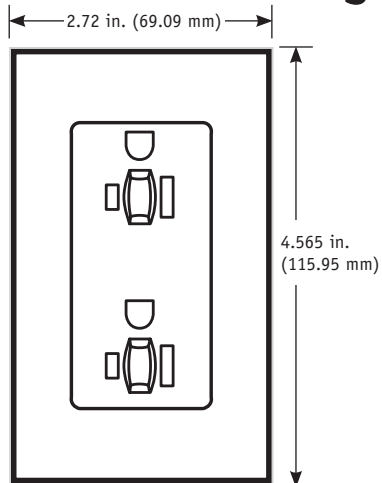


Figure 1 – Receptacle Dimensions

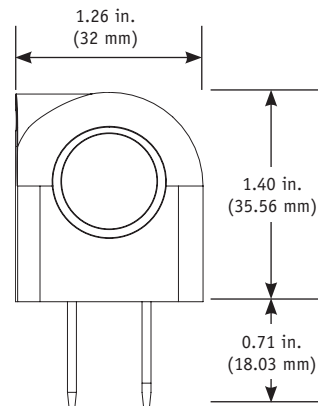


Figure 2 – Plug Dimensions

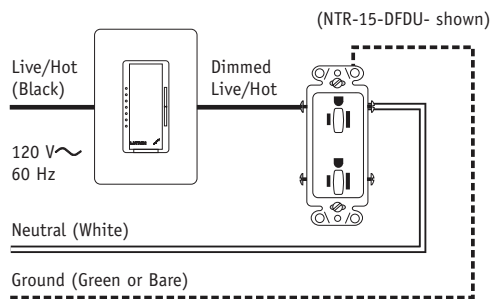


Figure 3 – Duplex Receptacle Wiring (Outlets controlled together)

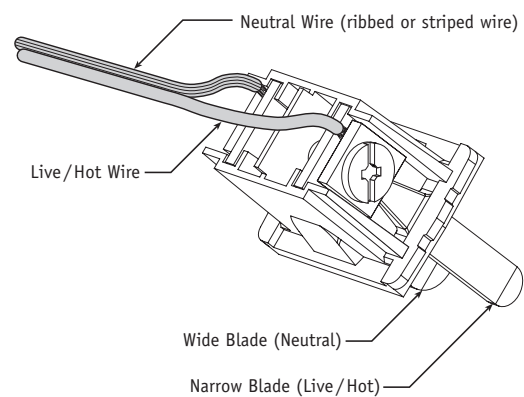
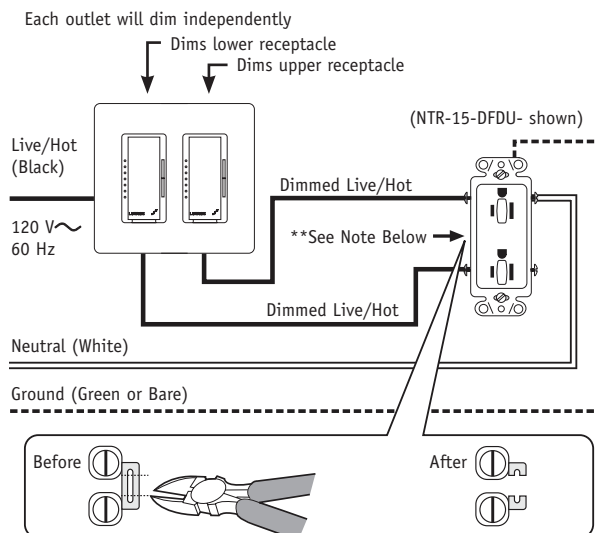


Figure 4 – Plug Wiring



**** NOTE:** To control each section of a duplex receptacle independently, cut off the connecting link with a wire cutter.

Figure 5 – Receptacle Wiring (Duplex Outlets controlled independently or Half-Dimming)

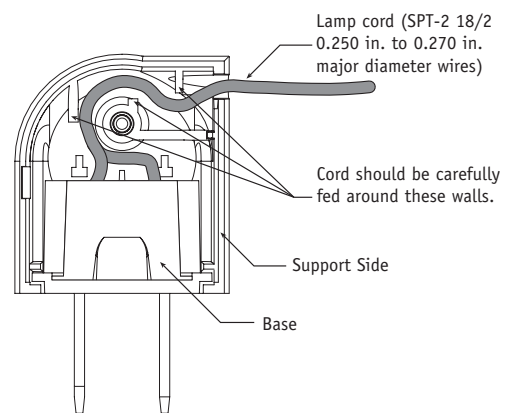


Figure 6 – Plug Assembly