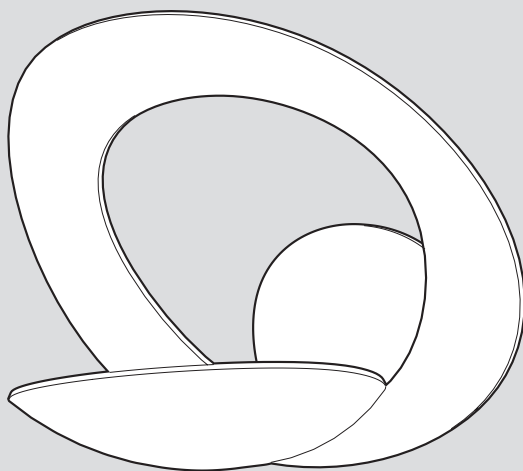


Artemide®

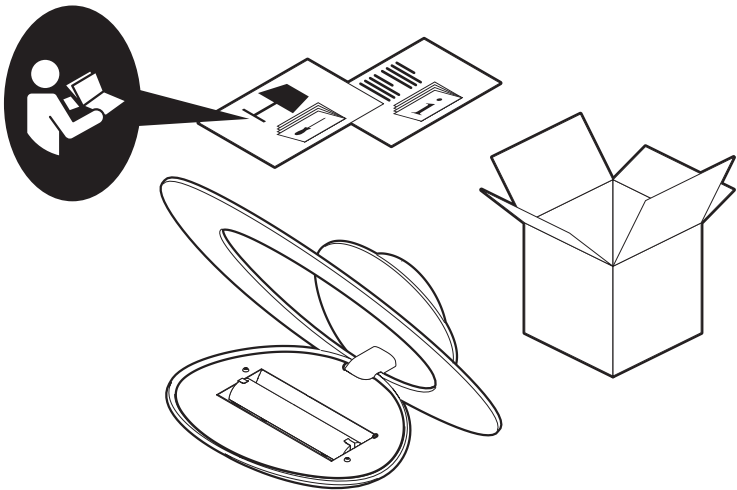
Pirce

design
G. M. Scutellà

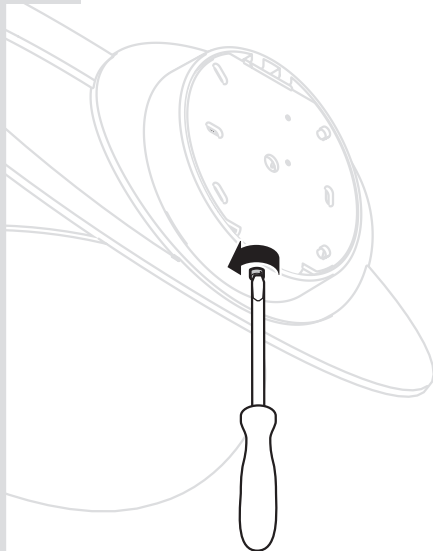




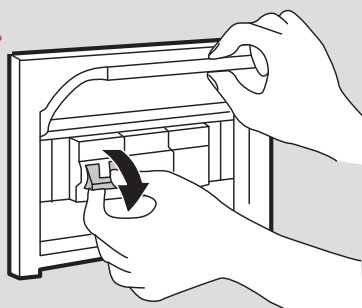
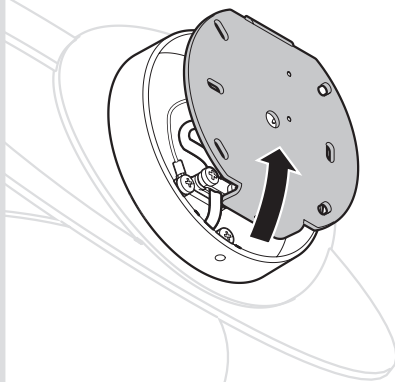
i



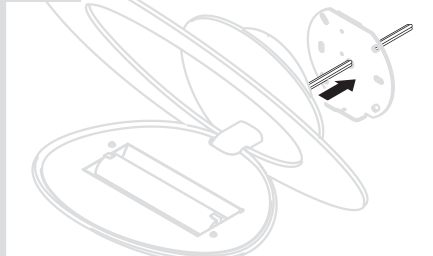
1



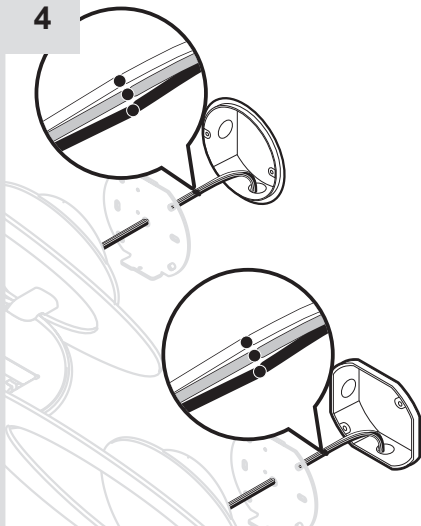
2



3

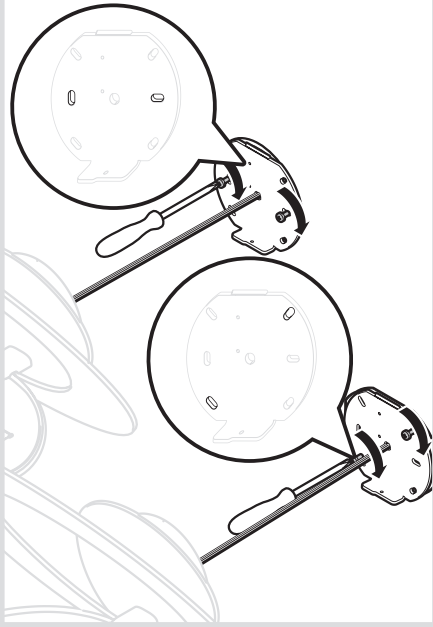


4

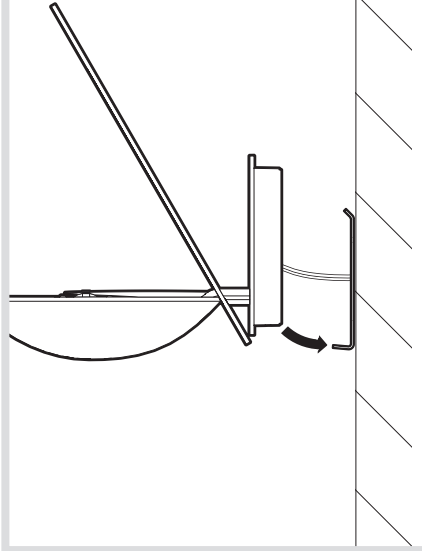


- | | | | |
|--------------------|---|---|--------------------|
| white/blanc/blanco | ● | ○ | white/blanc/blanco |
| green/vert/verde | ● | ○ | green/vert/verde |
| black/noir/negro | ● | ○ | black/noir/negro |

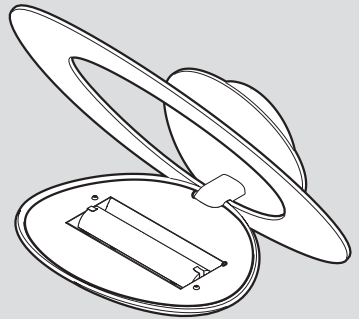
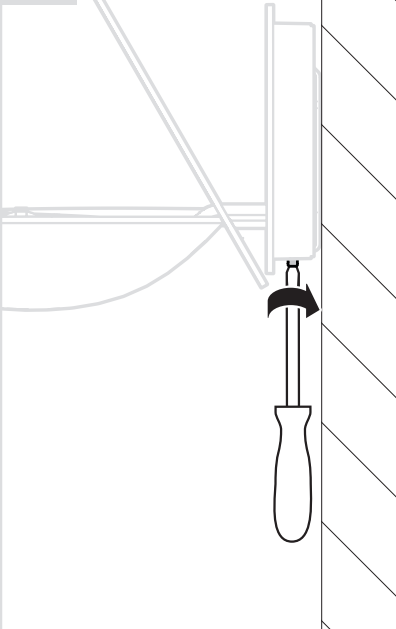
5



6

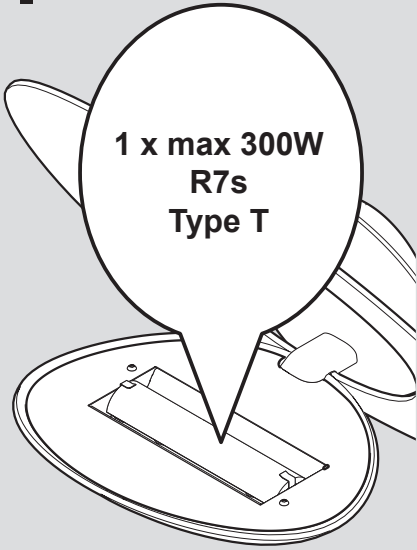


7

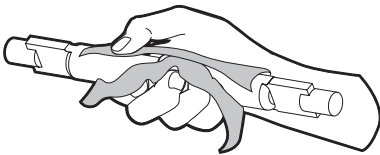
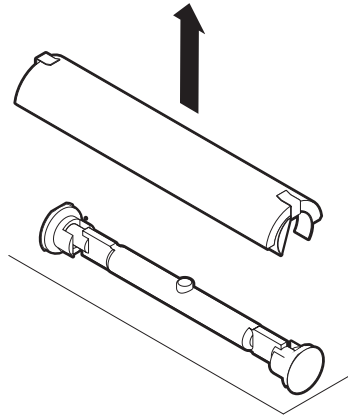




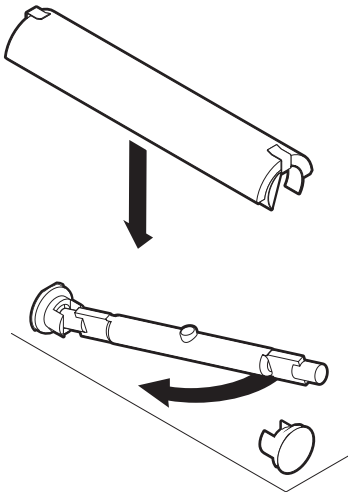
1 x max 300W
R7s
Type T



1



2

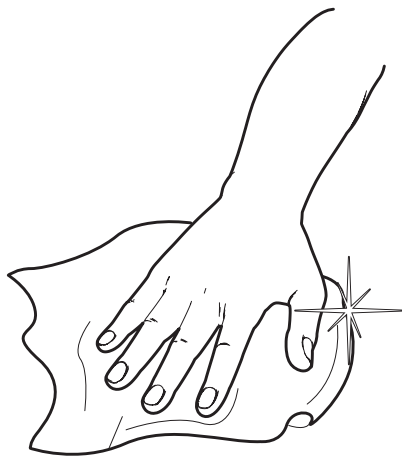




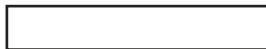
i



1



Artemide®



Artemide

via Bergamo, 18
20010 Pregnana M.se (MI)
ITALIA

tel. +39 02 935 181
fax +39 02 935 90 254
fax +39 02 935 90 496

www.artemide.com

VAT IT00846890150

Artemide Inc.

1980 New Highway
Farmingdale NY 11735

Tel. 631 694 9292
Toll Free 1-877-Art-9111
Fax 631 694 9275

www.artemide.us

Artemide Ltée/Ltd.

11105 rue Renaude Lapointe
Montréal, Québec H1J 2T4

Tel. 514 323 6537
Toll Free 888 777 2783
Fax 514 323 8864

www.artemide.ca

cod. Y513000026