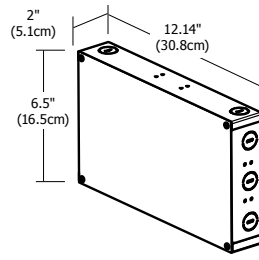


2X100W/24VDC Power Supply

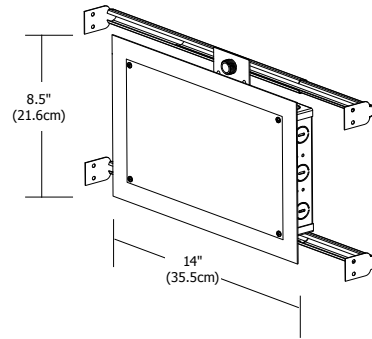
PSB-2X100W-ELV-24VDC



PSB-2X100W-ELV-24VDC



PSB-2X100W-ELV-24VDC



PSB-2X100W-ELV-24VDC-IW

96W, 24VDC LOW VOLTAGE WIRE SIZE CHART: 3% VOLTAGE DROP

WIRE LENGTH (FT)	UP TO 33FT	34FT-52FT	53FT-86FT	87FT-130FT
WIRE SIZE	14 AWG	12 AWG	10 AWG	8 AWG
VOLTAGE AT END OF WIRE	23.28VDC	23.29VDC	23.28VDC	23.28VDC

Description: LED power supplies transform and regulate power from a line voltage power source into low voltage power for use with LED lighting. The PSB-2X100W-ELV-24VDC power supply accepts input voltage in range of 120 volts AC and outputs 24 volts DC power up to 2x96 watts. The power supply can be used as a dimmable or non-dim power supply. In-Wall Power Supply Kit includes power supply, box cover and stud hangers for installing junction box in wall.

Applications: Indoor

Power Input: 120 volts AC, 50/60Hz

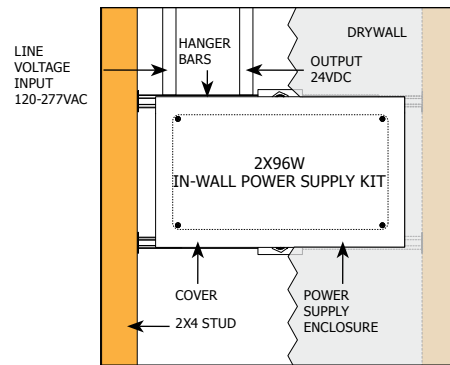
Power Output: 24 volts DC 2 x 4A, 2x96 watts maximum

Dimensions: PSB-2X100-010-24VDC: 12.14" x 6.5" x 2"
 PSB-2X100-010-24VDC-IW: 14" x 8.5" x 2.1"

Compatible Dimmers:

Legrand: Adorne ADTP703TU

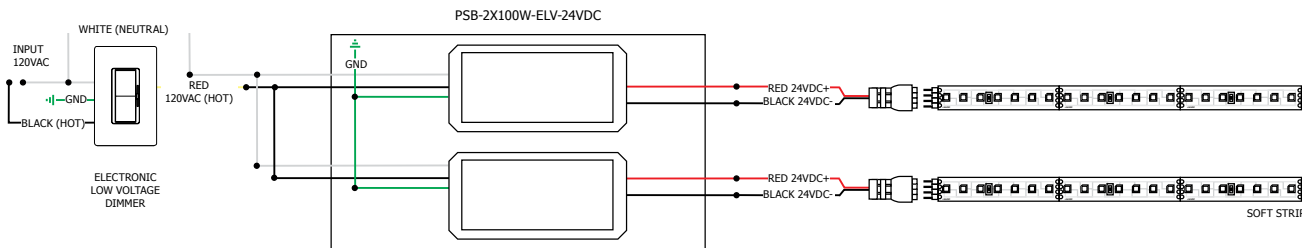
Lutron: Diva DVELV-300P, Skylark SELV-300P, Maestro MAELV-600 and Radio RA 2



PSB-2X100W-ELV-24VDC-IW

2X96W POWER SUPPLY ORDERING CODE

Product	Wattage	Dimming	Voltage	Options
PSB	- 2X100W	- ELV	- 24VDC	Standard (Leave Blank)
PSB Power Supply with Enclosure Box	2X100W 2X96 Watt	ELV Electronic Low Voltage Dimming	24VDC 24 Volt DC	IW In-Wall Kit



COMPANY		FIXTURE TYPE		DATE	
PROJECT		APPROVED BY			

Product specification subject to change without notification. REV. 03.31.15