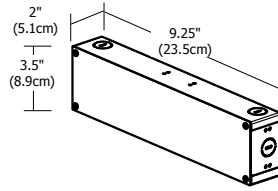


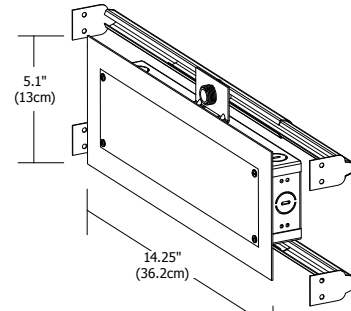
PSB-100W-ELV-24VDC



PSB-100W-ELV-24VDC



PSB-100W-ELV-24VDC



PSB-100W-ELV-24VDC-IW

96W, 24VDC LOW VOLTAGE WIRE SIZE CHART: 3% VOLTAGE DROP

| WIRE LENGTH (FT) | UP TO 33FT | 34FT-52FT | 53FT-86FT | 87FT-130FT |
|------------------------|------------|-----------|-----------|------------|
| WIRE SIZE | 14 AWG | 12 AWG | 10 AWG | 8 AWG |
| VOLTAGE AT END OF WIRE | 23.28VDC | 23.29VDC | 23.28VDC | 23.28VDC |

Description: LED power supplies transform and regulate power from a line voltage power source into low voltage power for use with LED lighting. The PSB-100W-ELV-24VDC power supply accepts input voltage of 120 volts AC and outputs 24 volts DC power up to 96 watts. The power supply can be used as a dimmable or non-dim power supply. In-Wall Power Supply Kit includes power supply, box cover and stud hangers for installing junction box in wall.

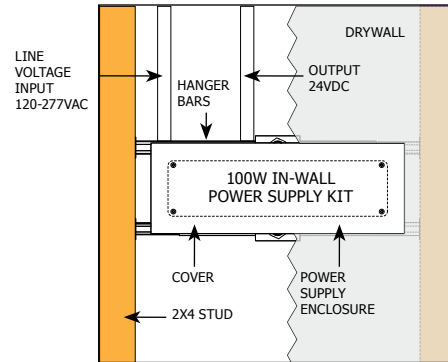
Applications: Indoor

Power Input: 120VAC, 50/60Hz

Power Output: 24 volts DC 4A, 96 watts maximum

Dimensions: PSB-100W-ELV-24VDC: 9.25" x 3.5" x 2"
 PSB-100W-ELV-24VDC-IW: 14.25" x 5.1" x 2.1"

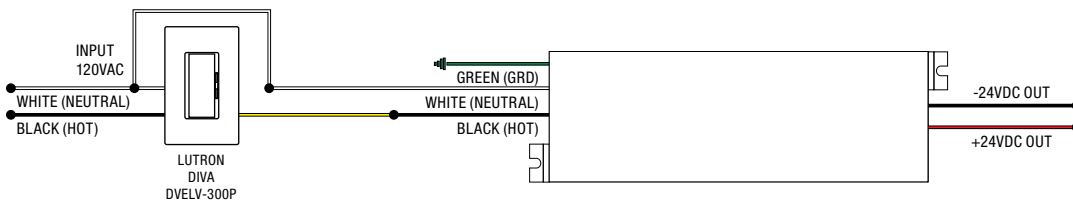
Compatible Dimmers: Legrand: Adorne ADTP703TU
 Lutron: Diva DVELV-300P, Skylark SELV-300P, Maestro MAELV-600 and Radio RA 2



PSB-100W-ELV-24VDC-IW

96W POWER SUPPLY ORDERING CODE

| Product | Wattage | Dimming | Voltage | Options |
|--|---------------------|---|-------------------------|------------------------|
| PSB - 100W - ELV - 24VDC - | | | | Standard (Leave Blank) |
| PSB Power Supply with Enclosure Box | 100W 96 Watt | ELV Electronic Low Voltage Dimming | 24VDC 24 Volt DC | IW In-Wall Kit |



| | | | | | |
|---------|--|--------------|--|------|--|
| COMPANY | | FIXTURE TYPE | | DATE | |
| PROJECT | | APPROVED BY | | | |

Product specification subject to change without notification. REV. 03.31.15