

**Edge**  
LIGHTING

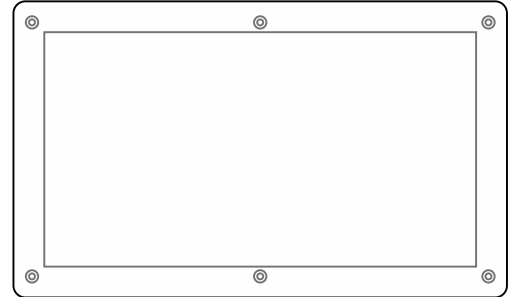
1718 W. Fullerton Ave  
Chicago, IL 60614  
Tel: 773-770-1195  
Fax: 773-935-5613  
www.edgelighting.com  
info@edgelighting.com

**Pure**  
LIGHTING

© 2014 Edge Lighting. All Rights Reserved.

## Installation Instructions for **96 Watt 24 Volt DC Power Supply with 0-10 Volt Dimming Module**

**SAVE THESE INSTRUCTIONS!**



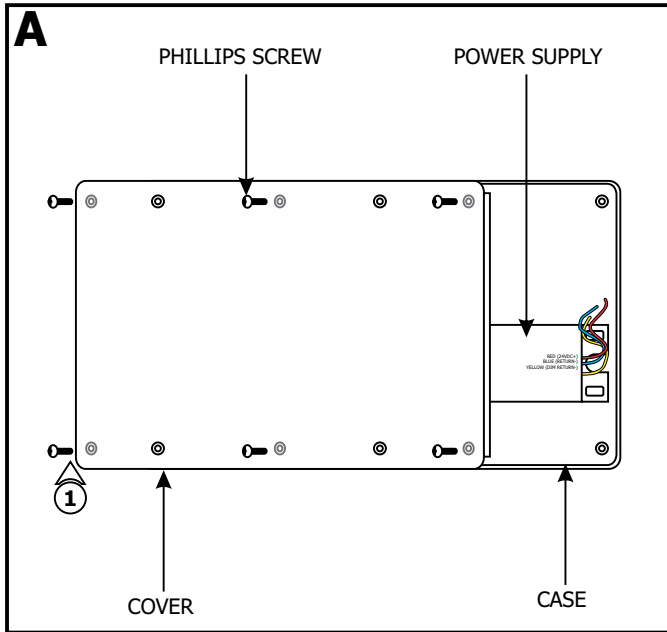
### GENERAL INFORMATION

- **RISK OF FIRE:** This product must be installed by a qualified electrician. Turn the power to the electrical box off during installation. Read the "Important Safety Instructions " before installation.
- This product is not suitable for wet locations. It is approved for the use at any height above the finished floor.
- A typical installation is shown. Specific installation must be in accordance with the local electrical codes.
- **TO REDUCE RISK OF FIRE,** it is important to wire the power supply for the system as described in this installation instruction.
- Load the power supply to **MAXIMUM 96** Watts.
- Use Lightolier "ZP600FAM120" 0-10 volt controller to dim the LED soft strip (fixture).
- For multiple parallel runs, do not exceed 32' total length.

### IMPORTANT SAFETY INSTRUCTIONS

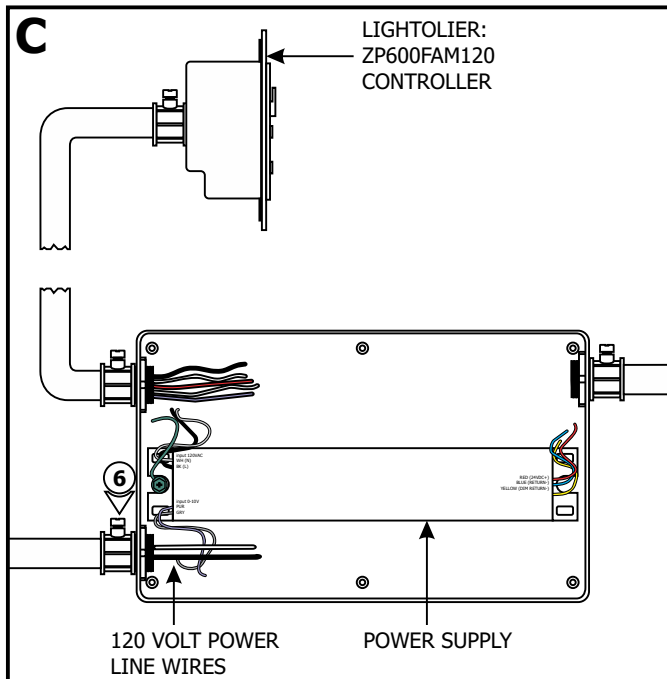
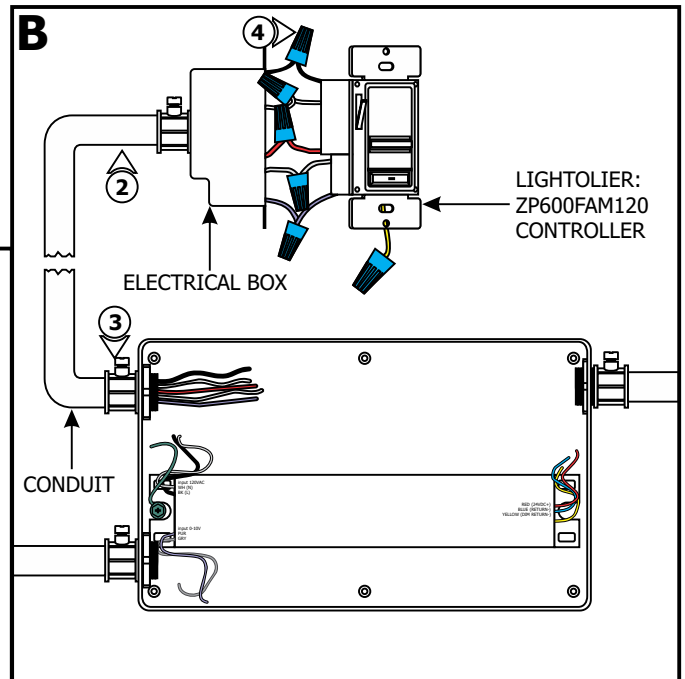
- Do not install this power supply in a wet location.
- To reduce the risk of the system overheating and possibly causing a fire, make sure all the connections are tight.
- Do not install \*LED fixture closer than three inches or as specified in the \*LED fixture installation instructions to curtains or similarly combustible materials. Keep insulation at least 3" away from the enclosure.
- Turn the electrical power off before modifying the lighting system in any way.
- The system is "ETL" listed for USA and Canada only when all the products used are supplied by Edge Lighting.
- \* See LED fixture installation instructions for proper placement.

# Install the Power Supply

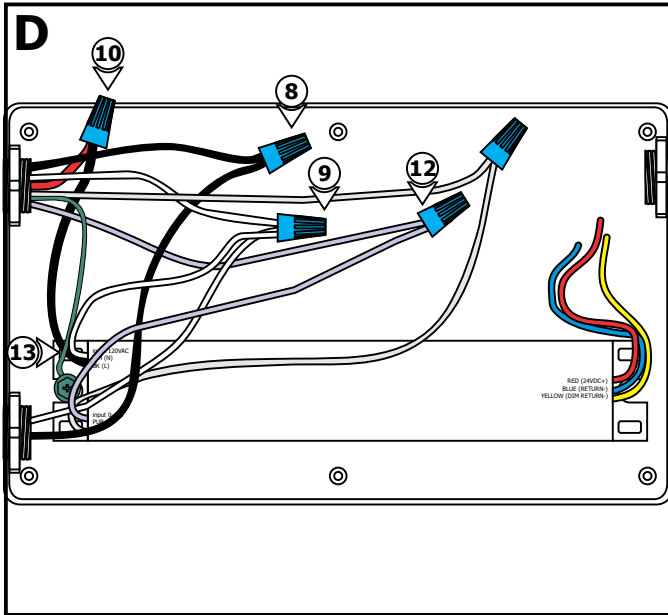


**1:** Loosen and remove the six Phillips screws on the front of the power supply cover to remove the cover from the case.

- 2:** Install conduits from the controller electrical box to main panel and soft strip to the power supply case.
- 3:** Run proper wire size and color from the controller (switch) electrical box to the power supply case.
- 4:** Connect the black, white, red, purple, and gray controller wires respectively to black, white, red, purple, and gray wires with a wire nut. The yellow controller wire is not used in this procedure. Cap the yellow controller wire with a wire nut. For three way switching, refer to the instructions provided with the controller.
- 5:** Secure controller to the electrical box.



**6:** Run the 120 volt power line wires from the panel to the power supply case.  
**7: DO NOT** connect the power wires to the panel at this time.



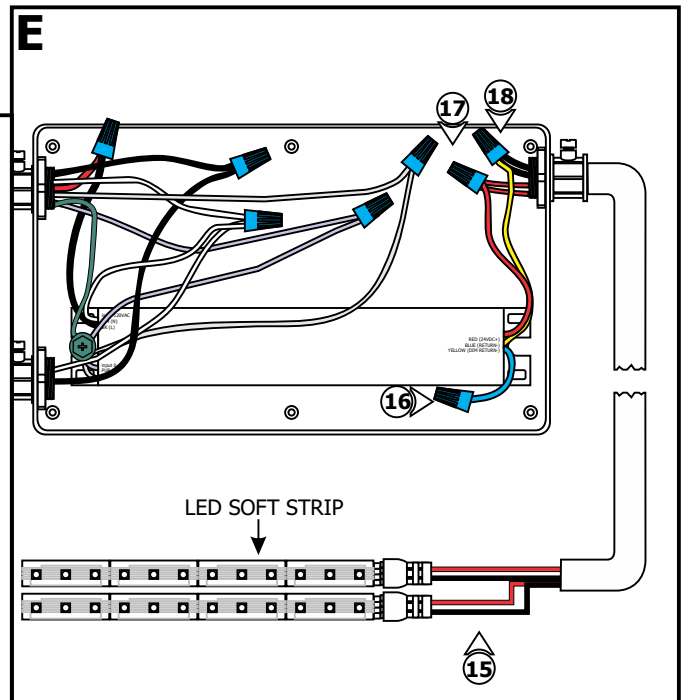
- 8:** Connect the black controller wire to the 120 volt hot power line wire with a wire nut.
- 9:** Connect the white controller wire to the 120 volt neutral power line wire and the white power supply wire with a wire nut.
- 10:** Connect the red controller wire to the black power supply wire with a wire nut.
- 11:** Connect the gray controller wire to the gray power supply wire with a wire nut.
- 12:** Connect the purple controller wire to the purple power supply wire with a wire nut.
- 13:** Make sure the power supply is grounded in accordance with local electrical codes.

- 14:** Use the "Low Voltage Wire Size Chart" below to determine the proper wire size connecting the power supply to the LED soft strip.
- 15:** Run the proper size, red and yellow wires from the LED soft strip to the power supply case.
- 16:** Cap the blue wire with a wire nut, this wire is not used.

**NOTE:** Use only 24 volt Warm White LED soft strip with this power supply.

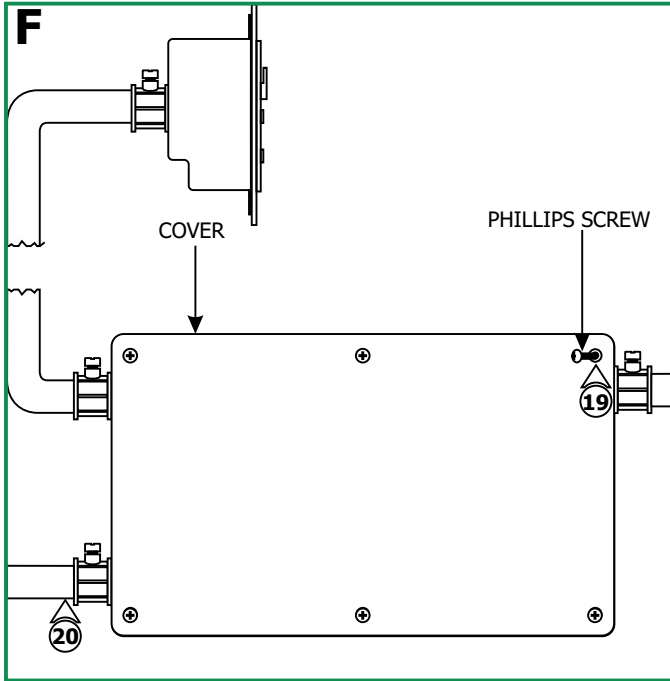
**NOTE:** For multiple parallel runs, do not exceed 32' total length.

- 17:** Connect the red wire coming from the power supply to the red wire of each LED soft strip.
- 18:** Connect the yellow wire coming from the power supply to the black wire of each LED soft strip.



**96W, 24VDC LOW VOLTAGE WIRE SIZE CHART**

| 3%<br>VOLTAGE<br>DROP | WIRE LENGTH<br>IN FT          | UP TO 33FT | 34FT-52FT | 53FT-86FT | 87FT-130FT |
|-----------------------|-------------------------------|------------|-----------|-----------|------------|
|                       | WIRE SIZE                     | 14 AWG     | 12 AWG    | 10 AWG    | 8 AWG      |
|                       | VOLTAGE AT END<br>OF THE WIRE | 23.28 VDC  | 23.29 VDC | 23.28 VDC | 23.28 VDC  |



**19:** Replace the power supply cover and secure it by tightening the six Phillips screws.

**20:** At this time, connect the 120 volt wires at the circuit box panel.

**Overall Wiring Diagram**

