

96W, 24VDC LOW VOLTAGE WIRE SIZE CHART: 3% VOLTAGE DROP

WIRE LENGTH (FT)	UP TO 33FT	34FT-52FT	53FT-86FT	87FT-130FT
WIRE SIZE	14 AWG	12 AWG	10 AWG	8 AWG
VOLTAGE AT END OF WIRE	23.29VDC	23.29VDC	23.28VDC	23.28VDC

Description: LED power supplies transform and regulate power from a line voltage power source into low voltage power for use with LED lighting. The PSB-96W-010-24VDC power supply accepts input voltage in range of 120-277 volts AC and outputs 24 volts DC power up to 96 watts. The power supply can be used as a dimmable or non-dim power supply. The low voltage output of this power supply dims down to 7% when two additional wires are connected to a 0-10V dimmer. The black plastic enclosure provides space inside for electrical connections.

Applications: Indoor

Power Input: 120-277 volts AC, 50/60Hz

Power Output: 24 volts DC 4A, 96 watts maximum

Dimensions: 10" x 6" x 3"

Compatible Dimmers:

Lutron: Radio Ra2 (with GRX-TVI), Grafik Eye Qs (with GRX-TVI),

Diva (with PP20); Nova T

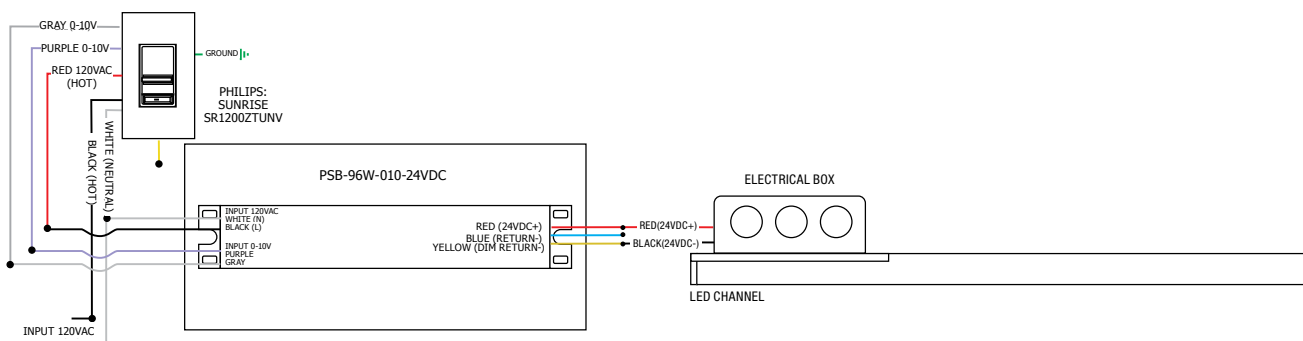
Philips: Sunrise SR1200ZTUNV

Leviton: IP710-DL

96W POWER SUPPLY ORDERING CODE

Product	Wattage	Dimming	Voltage
PSB	96W	010	24VDC

PSB - Power Supply with Enclosure Box **96W** - 96 Watt **010** 0-10 Volt Dimming **24VDC** - 24 Volt DC



COMPANY		FIXTURE TYPE		DATE	
PROJECT		APPROVED BY			

Product specification subject to change without notification. REV. 06.03.14