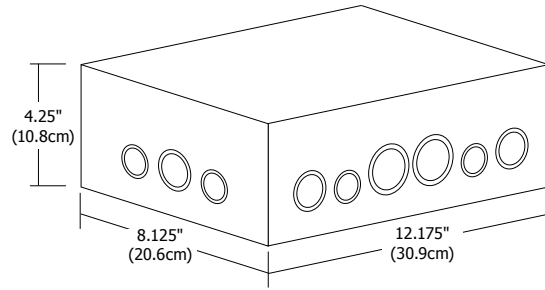


2x96W/24VDC Power Supply

PSB-2X96W-010-24VDC



Description: LED power supplies transform and regulate power from a line voltage power source into low voltage power for use with LED lighting. The PSB-2X96W-010-24VDC power supply accepts input voltage in total range of 120-277 volts AC and outputs 24 volts DC power up to 192 (2x96) watts. The power supply can be used as a dimmable or non-dim version. The low voltage output of this power supply dims down to 7% when two additional wires are connected to a 0-10V dimmer.

Applications: Indoor

Power Input: 120-277 volts AC, 50/60Hz

Power Output: 24 volts DC 4A, 2X96 watts maximum

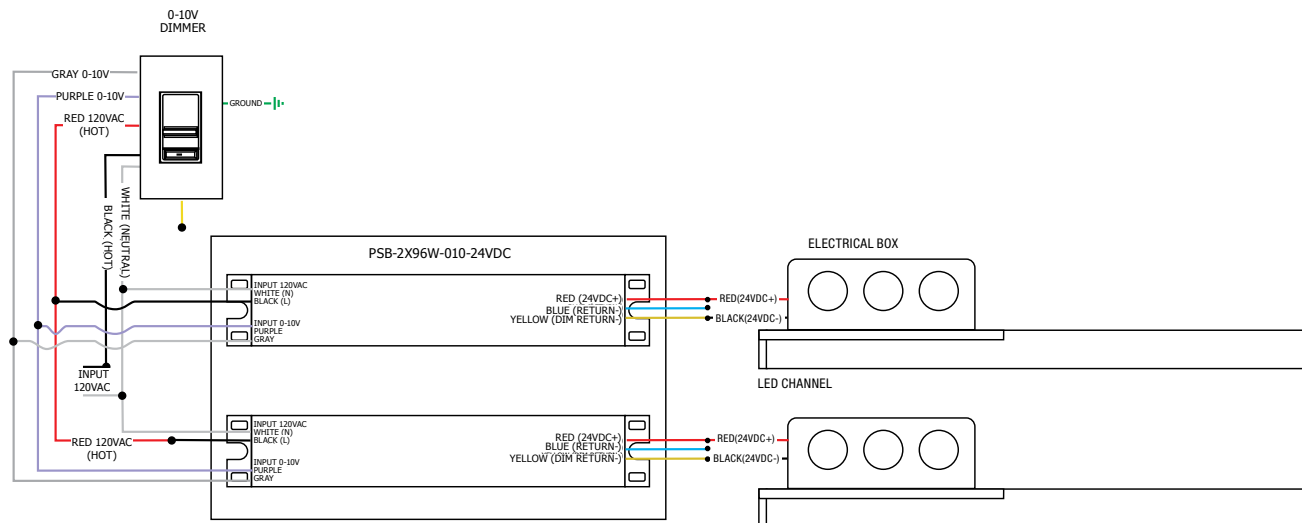
Dimensions: 12.175" x 8.125" x 4.25"

Compatible Dimmers: Lutron: Radio Ra2 (with GRX-TVI), Grafik Eye Qs (with GRX-TVI), Diva (with PP20); Nova T
 Philips: Sunrise SR1200ZTUNV
 Leviton: IP710-DL

192W POWER SUPPLY ORDERING CODE

Product	Wattage	Dimming	Voltage
PSB	- 2X96W	- 010	- 24VDC

PSB - Power Supply with Enclosure Box **2X96W** - 192 Watt **010** 0-10 Volt Dimming **24VDC** - 24 Volt DC



COMPANY		FIXTURE TYPE		DATE	
PROJECT		APPROVED BY			

Product specification subject to change without notification. REV. 05.09.14