

Patent Pending



Description: TruLine .5A creates glare-free architectural lighting accents within 5/8" drywall. The 24VDC linear LED system features a shallow, 5/8" deep plaster-in aluminum extrusion (thinner than drywall) that houses a single row of high CRI, commercial grade white or RGB LED Soft Strip. Its .5" wide diffuser lens projects a clean line of light without LED dots. System mounts directly to studs without joist modification. TruLine channel is sold in 1 foot increments up to 40 feet (2WDC, white LEDs only), or 20 feet (5WDC, white or RGB LEDs). TruLine .5A may be field-cut to any length. LED Soft Strip may be cut every 2.4 inches. Coordinate installation with electrician and drywall contractors. Fixture includes a 5 year warranty. Patent pending.

Design Notes: TruLine .5A can be installed on a single surface plane (like a wall or ceiling), or on multiple planes that join runs from wall to ceiling or from one wall to an adjacent wall. Add optional accessories to create desired configurations including Picture Frame Miter and Room Wrapping applications.

Applications: Indoor Only—General illumination and architectural accent lighting for offices, hospitality, retail, residences, libraries, closets, hallways, bath/vanity.

Lamp:

Watts per Foot	Lumens		85+CRI 24k, 35K, 40K, 57K	95+CRI 27K, 30K	RGB
	per Watt	per Foot			
2WDC	52	169	•	•	
5WDC	50	244	•	•	•

Lumen values are based on the 3000K LED test.

Average Lamp Life: 50,000 hours

24VDC Power Supply: White LED system, compatible Electronic Low Voltage

Dimming (ELV) 120-277VAC input: PSB-60W-ELV-24VDC (60W output) | PSB-100W-ELV-24VDC (100W output) | PSB-2X100W-ELV-24VDC (2X100W output).

White LED system, compatible 0-10 Volt Dimming (010) 120-277VAC input: PSB-96W-010-24VDC (96W output) | PSB-2X96W-010-24VDC (192W output).

In Wall Mounting Kits: PSC-IW-KIT1 (96W or 100W) | PSC-IW-KIT2 (2X96W or 2X100W).

RGB LED System: Remote RGB Power supply with DMX Driver

120-277VAC input: PSB-100W-24VDC-RGB (100W output)

120/240VAC input PSB-200W-24VDC-RGB (200W output) PSB-400W-24VDC-RGB (400W output)

Dimming and Control: White LED system dimmable with 0–10V dimmer using power supplies above. Radio Ra2 (with GRX-TVI), Grafik Eye Qs (with GRX-TVI), Diva (with PP20); Nova T; Philips: Sunrise SR1200ZTUNV; Leviton: IP710-DL. RGB LED system - Touch Screen Controller with Power Supply (CTP), or Color Dial Controller with Power Supply (CDP).

Included Components: TruLine .5A channels, end caps, LED Soft Strip, TL.5A Junction Boxes and all mounting hardware. See page 2 of spec sheet for additional details.

TRULINE .5A ORDERING CODES

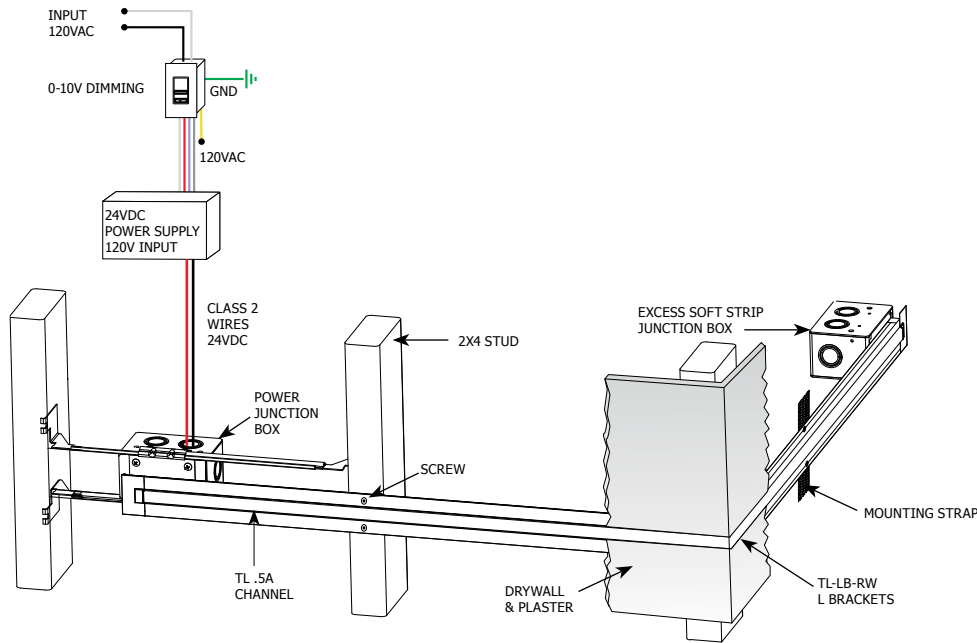
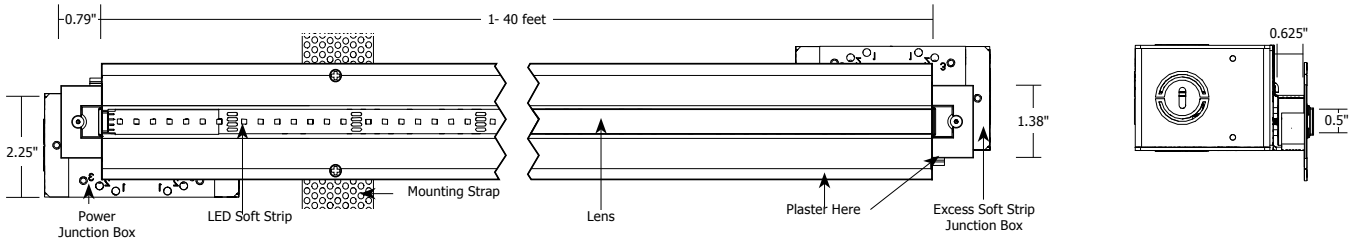
TRULINE .5A CHANNEL					TRULINE .5A ACCESSORIES					
System	Wattage	Length in Feet	Color Temperature		System	Accessory				
TL.5A	2WDC	40FT	27K		TL.5A	LP				
TL.5A	TruLine .5" Wide 5/8" Deep	2WDC 2.5 Watts /Foot 5WDC 5 Watts /Foot	1-40 Feet 5WDC 1 to 20ft	24K 27K 30K 35K 40K 57K RGB	2400K Amber White 2700K Very Warm White 3000K Warm White 3500K Neutral White 4000K Cool White 5700K Daylight White Red, Green and Blue (5WDC only)	TL.5A	TruLine .5" Wide 5/8" Deep	LP X	L-Shaped Power Channel Connector X-Shaped Channel Connector	
TL	-	LB	-	RW	TL	TruLine	LB	L Brackets for Miter Cut Corners	RW PF	Room Wrapping Picture Frame

COMPANY		FIXTURE TYPE		DATE	
PROJECT		APPROVED BY			

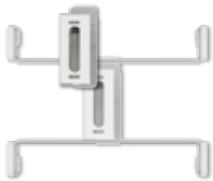
Product specification subject to change without notification. REV. 07.18.14



Patent Pending



INCLUDED COMPONENTS



TRULINE .5A JUNCTION BOXES

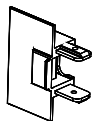
TruLine .5A Power Junction Box: Slim profile junction box mounts behind drywall. Low voltage DC wires from remote power supply connect to LED wires. Junction box opening covered by TruLine channel.

TruLine .5A Excess Soft Strip Junction Box: Prevent dark spots at end of run by tucking excess LED Soft Strip safely behind wall.



LED SOFT STRIP

Commercial grade white or RGB LED Soft Strip. See Lamp data on page 1 of spec sheet for additional details.



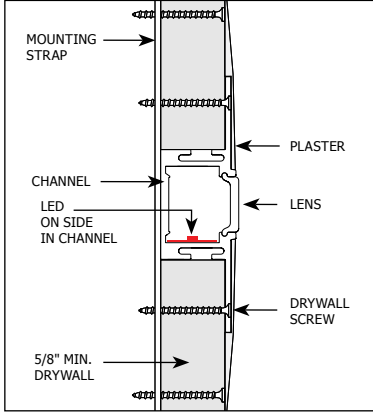
END CAPS

For a finished look and to complete the installation, use end caps at the end of runs. End caps house the power cable from the LED Soft Strip. Power Feed Cable (Ordering Code: B90) must be ordered separately with less than 10ft of TruLine. Power Feed Cable is included with over 10ft TruLine .5A.

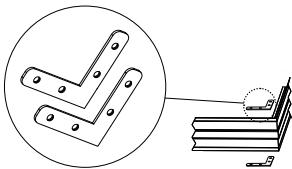
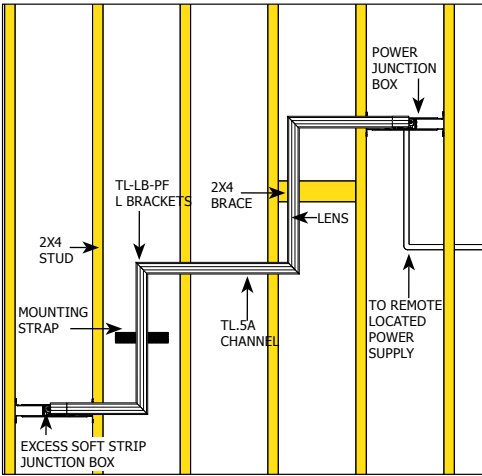
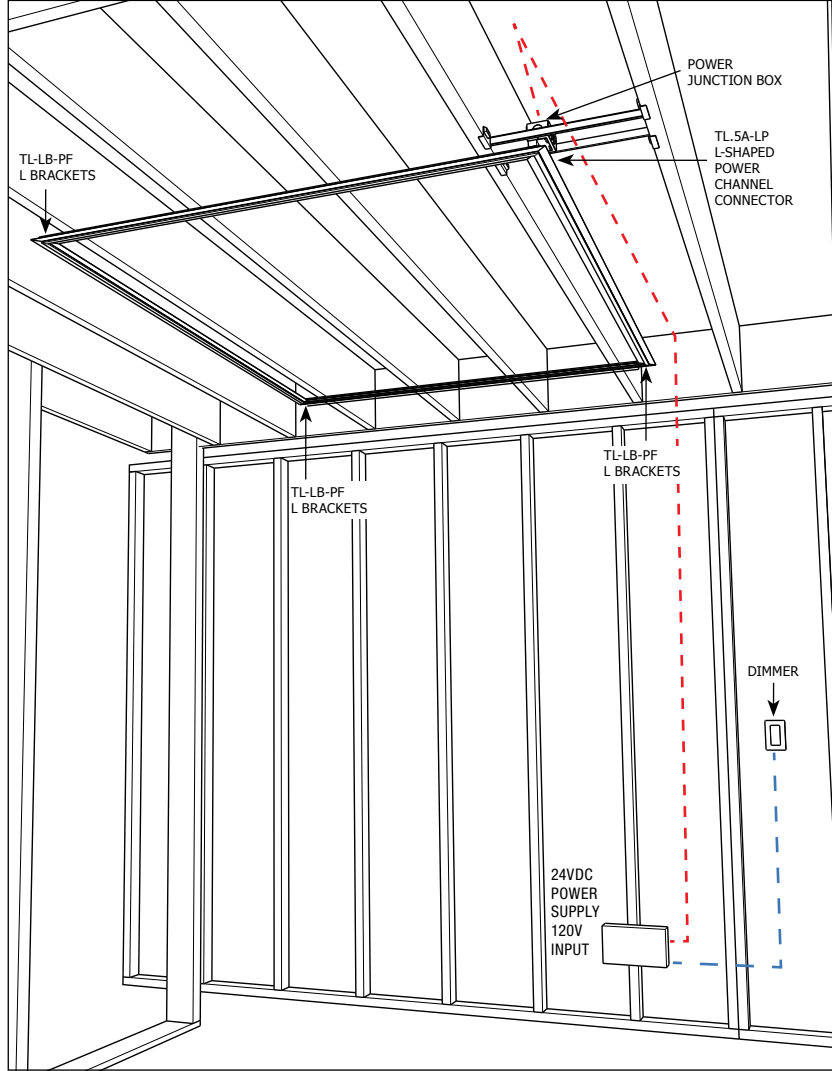
COMPANY		FIXTURE TYPE		DATE	
PROJECT		APPROVED BY			

Product specification subject to change without notification. REV. 07.18.14

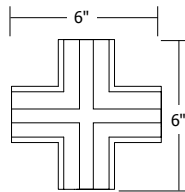
PICTURE FRAME MITER APPLICATION - LED ON SIDE OF CHANNEL



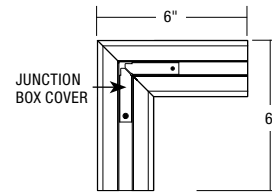
TRULINE .5A SIDE VIEW - LED ON SIDE



TL-LB-RW
ROOM WRAPPING L BRACKETS (SOLD IN PAIRS);
SUPPORT INSIDE OR OUTSIDE CORNER MITER CUTS



TL-5A-X
X-SHAPED
CHANNEL CONNECTOR



TL-5A-LP
L-SHAPED POWER CHANNEL CONNECTOR
AND JUNCTION BOX COVER INCLUDED

COMPANY		FIXTURE TYPE		DATE	
PROJECT		APPROVED BY			

Product specification subject to change without notification. REV. 07.18.14