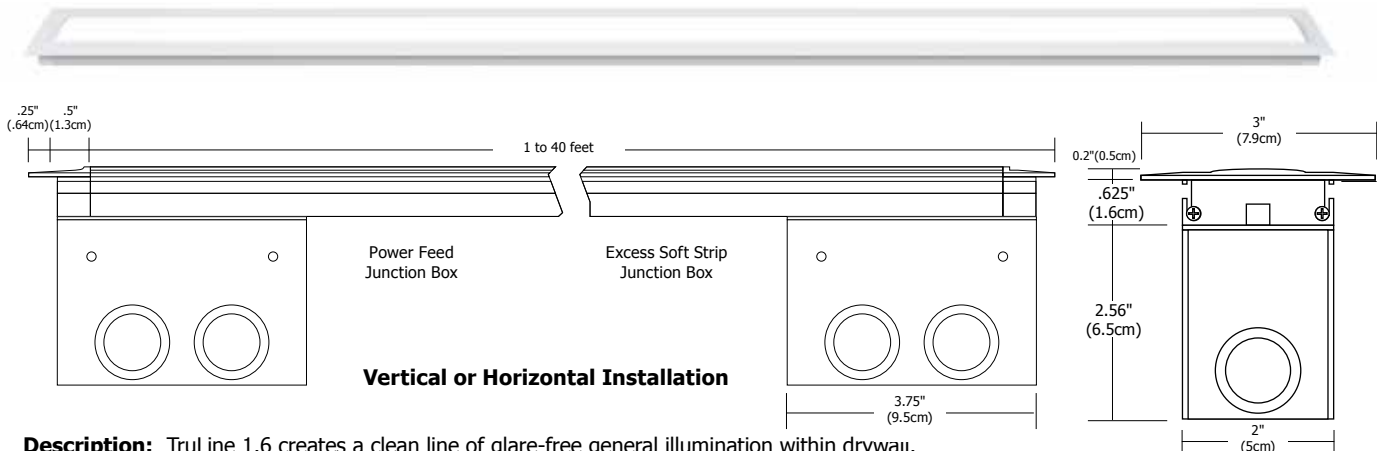


Patent Pending



Description: TruLine 1.6 creates a clean line of glare-free general illumination within drywall. The 24VDC linear LED system features a shallow, 5/8" deep plaster-in aluminum extrusion no thicker than drywall that houses two rows of high CRI, commercial grade white LED Soft Strip. Its 1.6" wide diffuser lens projects a clean line of light without LED dots. System mounts to studs without joist modification. TruLine is sold in 1 foot increments up to 40 feet (5W) or 20ft (10W) and may be field-cut to any length. Coordinate installation with electrician and drywall contractors. Fixture includes a 5 year warranty. Patent pending.

Design Notes: TruLine runs in a straight line. The LED strip bends along the LED plane, allowing runs to continue from a wall onto a ceiling. Intersecting runs on the same wall require two separate TruLine systems.

Applications: Indoor Only—General illumination and architectural lighting for offices, hospitality, retail, residences, libraries, closets, hallways, bath/vanity.

Lamp: Two rows of white LEDs (2400K, 85+CRI; 2700K or 3000K, 95+CRI). LEDs consume 5 (2x2.5) or 10 watts per ft, delivering 77 lumens per system watt, 386 lumens per ft (5WDC) and 71 lumens per system watt 698 lumens per ft (10WDC)

Average Lamp Life: 50,000 hours

24VDC Power Supply: Compatible Electronic Low Voltage Dimming (ELV) 120-277VAC

input: PSB-60W-ELV-24VDC (60W output) | PSB-100W-ELV-24VDC (100W output) | PSB-2X100W-ELV-24VDC (2X100W output).

Compatible 0-10 Volt Dimming (010) 120-277VAC input:

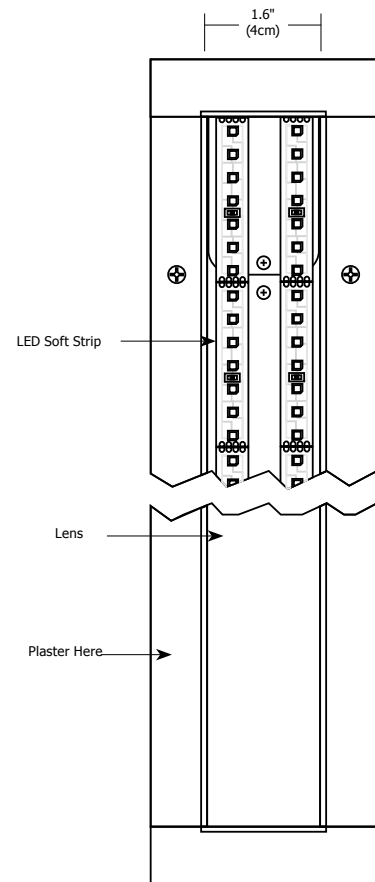
PSB-96W-010-24VDC (96W output) | PSB-2X96W-010-24VDC (192W output).

In Wall Mounting Kits: PSC-IW-KIT1 (96W or 100W) | PSC-IW-KIT2 (2X96W or 2X100W).

Dimming: Dimmable with ELV dimmer using power supplies above.

Legrand: Adorne ADTH700RMTU; Lutron: DIVA DVELV-300P, Skylark SELV-300P and Maestro MAELV-600. Compatible 0-10V dimmers - Radio Ra2 (with GRX-TVI), Grafik Eye Qs (with GRX-TVI), Diva (with PP20); Nova T; Philips: Sunrise SR1200ZTUNV; Leviton: IP710-DL.

Included Components: TruLine 1.6 channels, end caps, LED Soft Strip, TL 1.6 special Junction Boxes (quantity 2) and all mounting hardware. See page 2 of spec sheet for additional details.



TRULINE 1.6, 24VDC ORDERING CODE

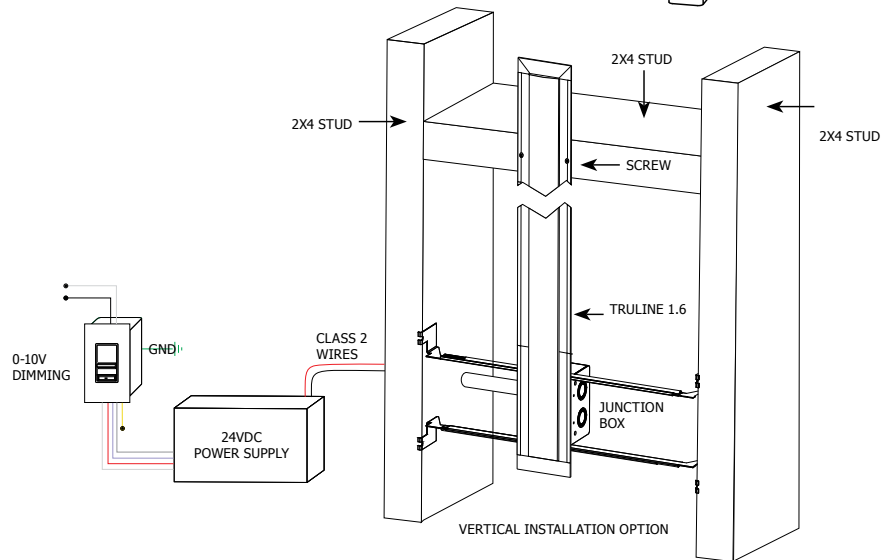
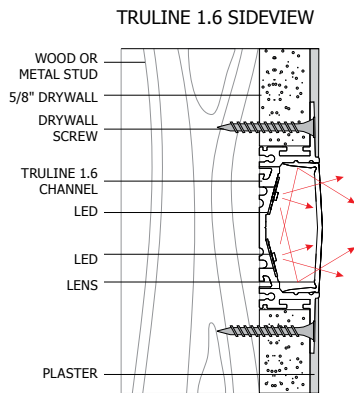
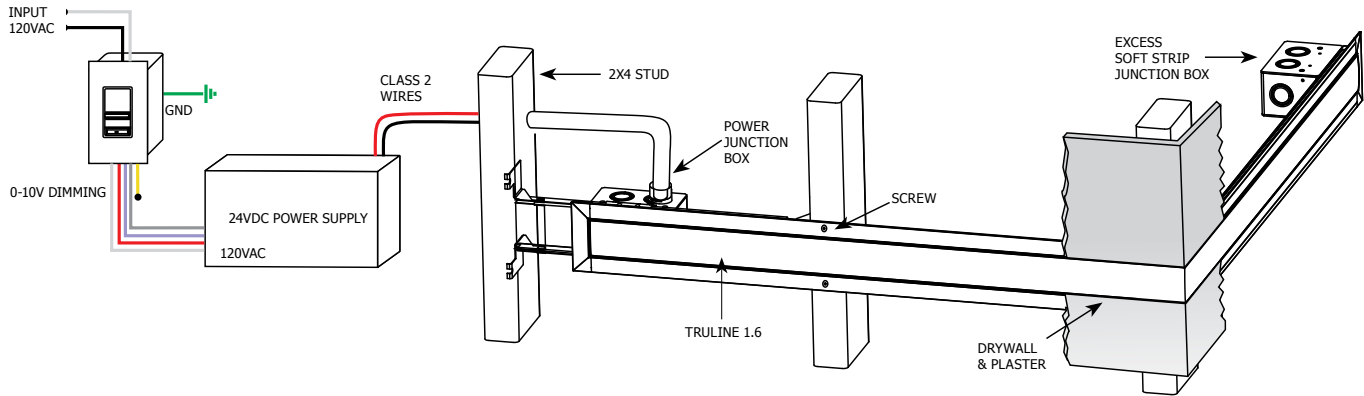
System	Wattage	Length in Feet	Color Temperature	Finish	
TL1.6	- 5WDC	- 40FT	- 27K	- WH	
TL1.6	TruLine 1.6" Wide	5WDC - 5 Watts/Foot 10WDC - 10 Watts/Foot	1-40 Feet* *10WDC Up to 20ft	24K 2,400K Amber White 27K - 2,700K Very Warm White 30K - 3,000K Warm White	WH - White

COMPANY	FIXTURE TYPE	DATE
PROJECT	APPROVED BY	

Product specification subject to change without notification. REV. 09.30.14



Patent Pending



INCLUDED COMPONENTS



TRULINE 1.6 JUNCTION BOX

Two TruLine 1.6 Junction Boxes included: One for use as a power feed junction box and the other for housing excess Soft Strip at the end of run.

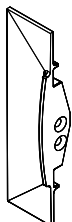
Slim profile junction box mounts behind drywall. Low voltage DC wires from remote power supply connect to LED wires. Junction box opening covered by TruLine channel for a clean, safe connection.

For rough-in installation, junction boxes can be ordered in advance. Ordering Code: TL1.6-JBOX



LED SOFT STRIP

Two rows of white LEDs (2400K, 80+CRI; 2700K or 3000K, 85+CRI). LEDs consume 5 (2x2.5) or 10 watts per ft, delivering 71 lumens per system watt, 386 lumens per ft (5WDC) and 698 lumens per ft (10WDC).



END CAPS

For a finished look and to complete the installation, use end caps at the end of runs. End caps house the power cable from the LED Soft Strip.

COMPANY		FIXTURE TYPE		DATE	
PROJECT		APPROVED BY			

Product specification subject to change without notification. REV. 09.30.14

A Division of PureEdge Lighting 1718 W. Fullerton Chicago, IL 60614 • Ph: 773.770.1196 • Fax: 773.883.6128 • www.purelighting.com



Patent Pending

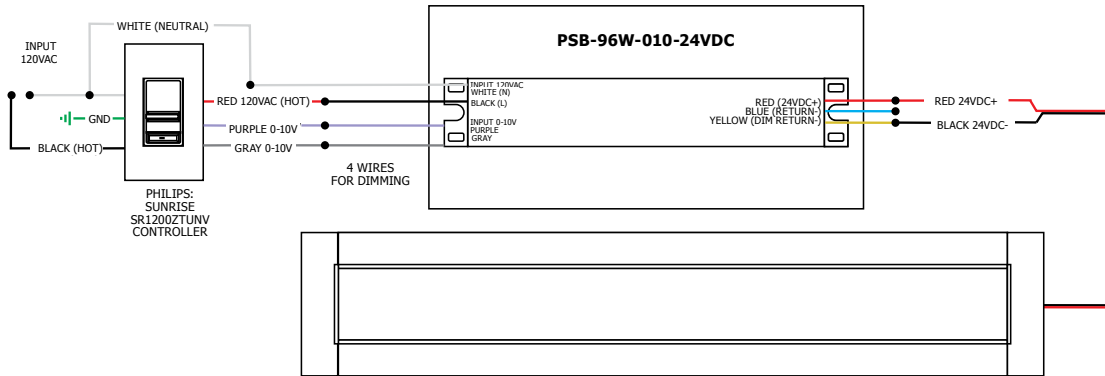
Application: 0-10V dimming for Truline 1.6

Power Supply: Class 2, 120-277VAC input. PSB-96W-010-24VDC: 24VDC 96W output
 PSB-2x96W-010-24VDC: 24VDC 192W output

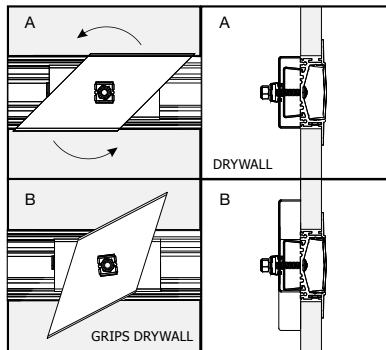
Dimming: Dimmable with 0-10V dimmer using power supply above. Radio Ra2 (with GRX-TVI), Grafik Eye Qs (with GRX-TVI), Diva (with PP20); Nova T; Philips: Sunrise SR1200ZTUNV; Leviton: IP710-DL

96W, 24VDC LOW VOLTAGE WIRE SIZE CHART: 3% VOLTAGE DROP

WIRE LENGTH (FT)	UP TO 33FT	34FT-52FT	53FT-86FT	87FT-130FT
WIRE SIZE	14 AWG	12 AWG	10 AWG	8 AWG
VOLTAGE AT END OF WIRE	23.28VDC	23.29VDC	23.28VDC	23.28VDC



MOUNTING HARDWARE (INCLUDED)



COMPANY		FIXTURE TYPE		DATE	
PROJECT		APPROVED BY			

Product specification subject to change without notification. REV. 09.30.14

ACTUAL WATTAGE PER FOOT - 5 WATTS

LENGTH IN FEET	TOTAL WATTAGE
1	5
2	10
3	16
4	20
5	26
6	30
7	34
8	40
9	44
10	48

LENGTH IN FEET	TOTAL WATTAGE
11	54
12	58
13	64
14	68
15	74
16	78
17	82
18	88
19	92
20	96

LENGTH IN FEET	TOTAL WATTAGE
21	2 x 51W
22	2 x 54W
23	2 x 56W
24	2 x 58W
25	2 x 61W
26	2 x 63W
27	2 x 66W
28	2 x 68W
29	2 x 70W
30	2 x 72W

LENGTH IN FEET	TOTAL WATTAGE
31	2 x 75W
32	2 x 78W
33	2 x 80W
34	2 x 82W
35	2 x 85W
36	2 x 87W
37	2 x 90W
38	2 x 92W
39	2 x 94W
40	2 x 96W

ACTUAL WATTAGE PER FOOT - 10 WATTS

LENGTH IN FEET	TOTAL WATTAGE
1	10
2	20
3	32
4	40
5	48
6	60
7	68
8	80
9	88
10	96

LENGTH IN FEET	TOTAL WATTAGE
11	2 x 54
12	2 x 58
13	2 x 64
14	2 x 68
15	2 x 72
16	2 x 78
17	2 x 82
18	2 x 88
19	2 x 92
20	2 x 96

COMPANY		FIXTURE TYPE		DATE	
PROJECT		APPROVED BY			

