

# INSTRUCTION SHEET

RECESSED LINCADESCENTS  
RL SERIES

ALKCO where quality comes to light™  
11500 Melrose Avenue, P.O. Box 1389  
Franklin Park, IL 60131-8389



A Subsidiary of Jac Jacobsen Industries, Inc.

## DIMMING NOTE:

Dimming Linear Incandescent lamps will produce some audible filament hum (especially with 40" lamps) and may cause shortened lamp life.

## CAUTION—READ THIS FIRST!

### IMPORTANT SAFETY INSTRUCTIONS

- Carefully read the Instructions appropriate to your fixture. IF YOU HAVE ANY QUESTIONS REGARDING THE PROPER INSTALLATION OR LOCAL CODES, CONSULT A QUALIFIED ELECTRICIAN.
- Injury to persons and damage to the fixture and/or mounting surface may result if the fixture is pulled from the surface. To reduce the likelihood of such injury or damage, mount only on a surface that is mechanically sound.
- To properly protect against a shock hazard in certain locations such as bathrooms and kitchens, the fixture should be protected by a ground fault circuit interrupter.
- To avoid shock hazard do not work with live electrical wires.
- Install and wire fixture in locations in accordance with national, state and local codes.
- Do not install outdoors or in applications other than intended use.

## CUSTOMER SERVICE:

Should you require additional information regarding this or other Lincandescents components, we invite you to call us at Alkco. Our business hours are:

Monday thru Friday (except holidays)  
8:00 am to 4:30 pm Central Time  
Phone: (708) 451-0700  
Fax: (708) 451-7512

## INSTALLATION

1. Remove the light fixture from the rough-in box. See Figure 1.

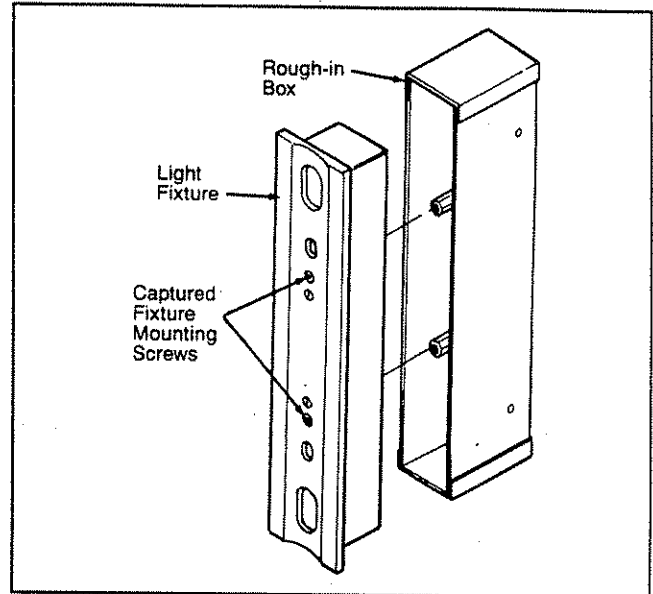


Figure 1.

2. If the fixture is being installed horizontally, frame out an opening in the mounting wall.
3. Locate the rough-in box in the desired mounting position as shown in Figure 2. Custom length and mitered faceplates should be taken into consideration when determining the location of the rough-in box. See **INSTRUCTIONS FOR MITERING AND CUSTOM LENGTHS** at the end of this procedure.

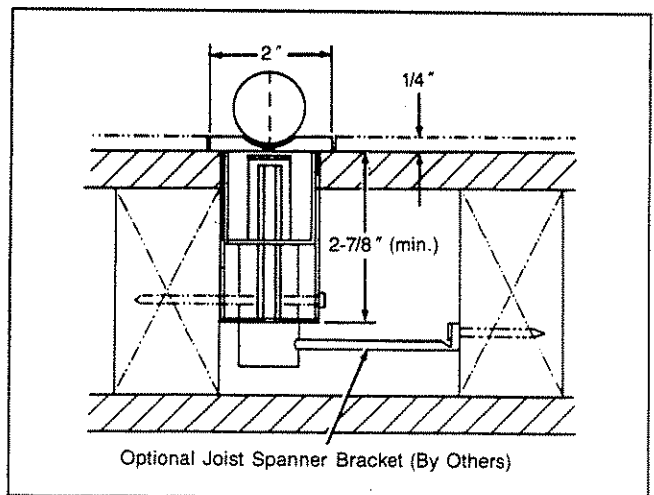


Figure 2.

**NOTE** Figure 3 shows the drywall opening sizes for each model of light fixture.

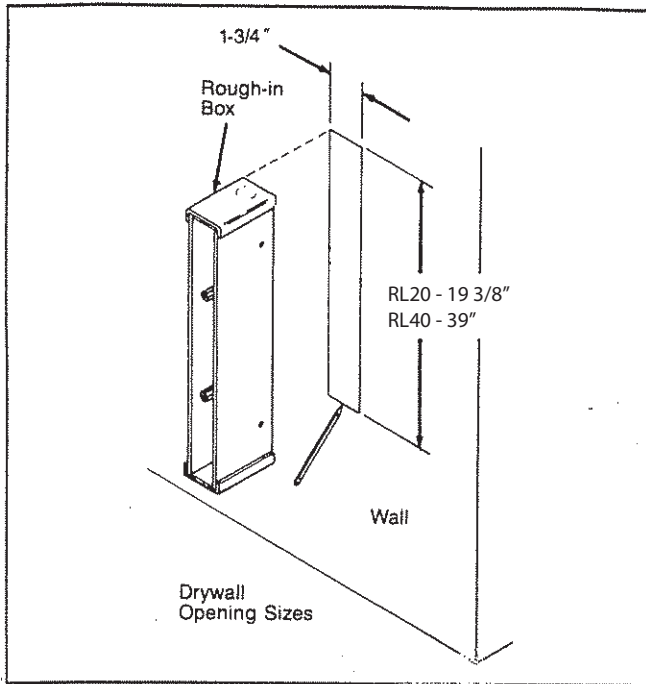


Figure 3.

4. Secure the rough-in box to the wall stud. See Figure 2.

**NOTE** Use of a joist spanner bracket (by others) is recommended to mount the rough-in box. Use of a joist spanner will allow for easier fixture alignment.

5. Remove the appropriate knockout from the rough-in box. Install 120 volt 60 Hz protected (fused, circuit breaker, etc.) supply line per local and national electrical codes.

6. Connect the power supply wiring to the light fixture as shown in the schematic, Figure 4.

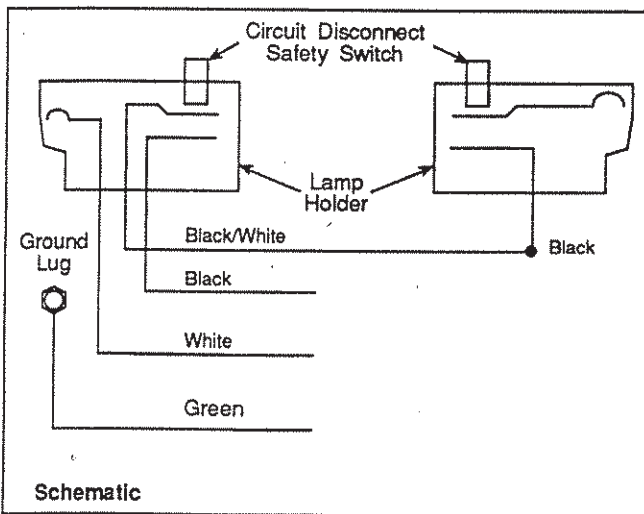


Figure 4.

7. Properly ground the light fixture. Use the ground lug and related hardware on the back of the fixture for this purpose.
8. Be sure black wire(s) from the fixture are connected to the "hot" supply wire (usually black) and the white wire(s) from the fixture are connected to the "neutral" supply wire (usually white). Be sure wirenuts are secure and no strands of wire are left exposed.

**NOTE** Be sure all wiring is in accordance with local, state, and national electrical codes.

9. Position wires neatly in the rough-in box and install the light fixture in the rough-in box. Attach the fixture with the screws captured on the faceplate of the fixture. See Figure 1.
10. The fixture mounting screws are part of a screw-drive leveling mechanism. Turn the screws clockwise or counter-clockwise until the fixture is flush and level with the adjacent mirror.
11. Install lamp completely in sockets.
12. Test fixture. Refer to "Trouble Shooting Table" for additional information.

#### ROW MOUNTING

1. Remove the light fixtures from the rough-in boxes. See Figure 1.
2. Use a 1/2" chase nipple (1 1/2" long) and the provided 9/16" spacer between rough-in boxes and secure each end with 1 electrical locknut. See Figure 5
3. Follow steps 3-12 of INSTALLATION described above.

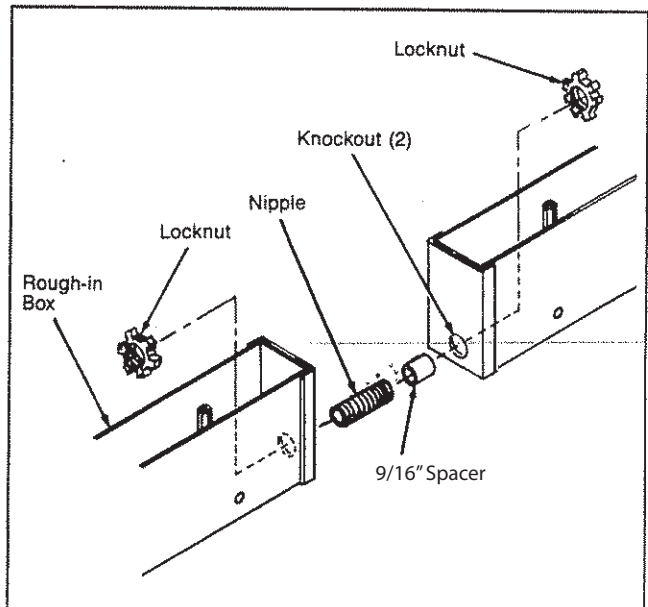


Figure 5.

## INSTRUCTIONS FOR MITERING AND CUSTOM LENGTHS

**NOTE** For Custom Length and Mitering applications, RL fixtures must be special ordered with the proper length faceplate from Alkco. For mitering, the faceplate should be approximately 3" longer than the finished length. Custom lengths are generally ordered from Alkco with the exact finished length required, so that the faceplate ends are polished and finished.

1. Remove the two screws attaching the faceplate to the light fixture. See Figure 6. Leave the 2 captured fixture mounting screws in the faceplate.
2. Mark faceplates for the desired angle and location of miter cut (or length if Custom Length).
3. Use a table saw or radial arm saw with a sharp, metal-cutting type blade to make the cuts where marked.
4. Install faceplate on light fixture and attach with 2 screws. See Figure 6.

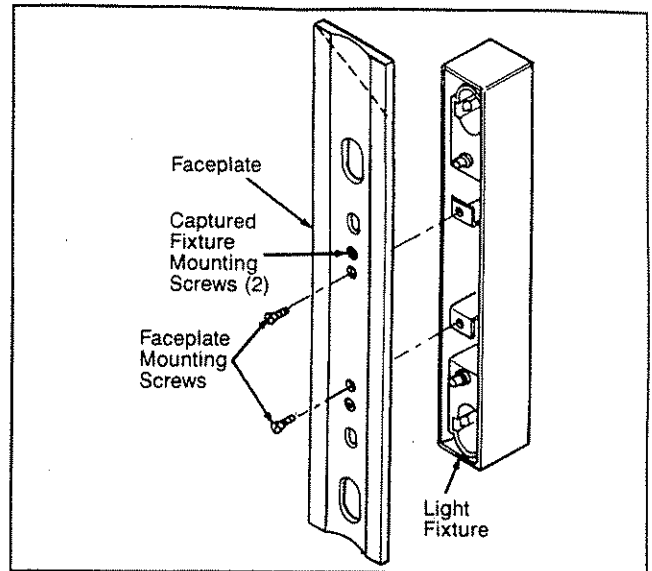


Figure 6.

## TROUBLE SHOOTING GUIDE

Problem	Probable Cause	Solutions
Lamp(s) won't go on.	A. Operating voltage not supplied. B. Lamp not installed properly in lampholder. C. "Dead" lamp.	Check for open wire connection inside fixture. Check supply voltage. Check that lamp is seated in socket completely. Replace lamp (contact distributor).
Poor lamp life.	A. Defective lamp (poor quality lamp). B. Too much voltage to fixture. C. lamp is on a poor quality dimmer.	Replace lamp. Check supply voltage. Voltages over 120V AC will shorten lamp life. Replace with a better quality dimmer or an On/Off switch.