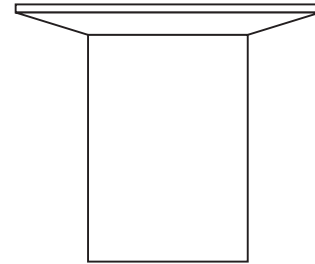


Installation Instructions for Rocky Ceiling



IMPORTANT SAFETY INSTRUCTIONS

To reduce the risk of fire, electrical shock, exposure to excessive UV radiation, or injury to persons:

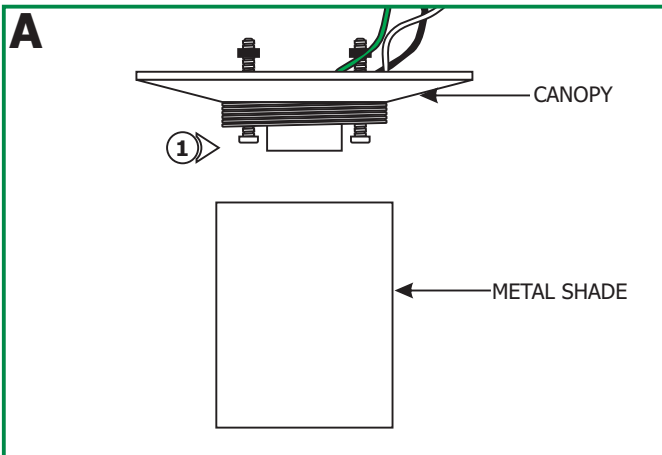
- Do not look directly at the lamp while the fixture is on.
- **RISK OF FIRE:** Use only the type of lamp and maximum wattage indicated in this instruction manual.
- Never cover the halogen lamp with anything other than a lamp shield provided by Edge Lighting and never place flammable material close to the fixture.
- Never turn the fixture on and off by connecting and disconnecting the halogen lamp.
- Do not touch the fixture head, shade or lamp shield while the fixture is on. These surfaces may be **VERY HOT**.
- Do not touch lamp at anytime. Use a soft cloth instead as oil from skin may damage lamp.
- It is normal for a new halogen lamp to produce minor smoke when first turned on.
- Turn power off and allow to cool before replacing lamp.

IMPORTANT INFORMATION

- This product is ETL listed for indoor and outdoor locations.
- This product is for ceiling mount applications only.
- This product can mount to either a 4" square electrical box with round plaster ring or an octagon electrical box.
- This product can be dimmed with a standard incandescent dimmer.
- This instruction shows a typical installation for indoor and outdoor.

SAVE THESE INSTRUCTIONS!

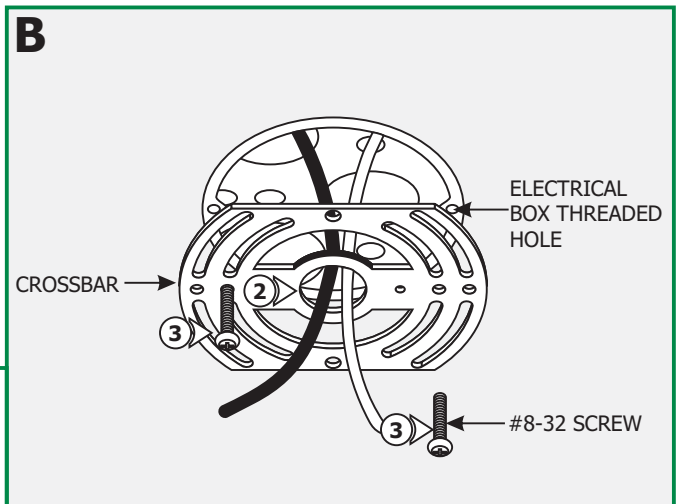
Install the Fixture

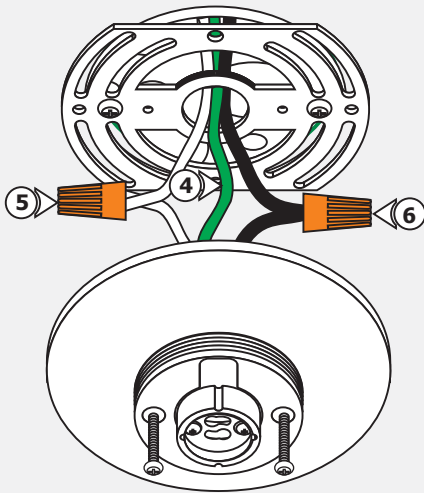


1: Loosen and remove the metal shade from the canopy.

2: Feed the power wires through the crossbar center hole.

3: Mount the crossbar to the electrical box threaded holes with the provided #8-32 screws.



C

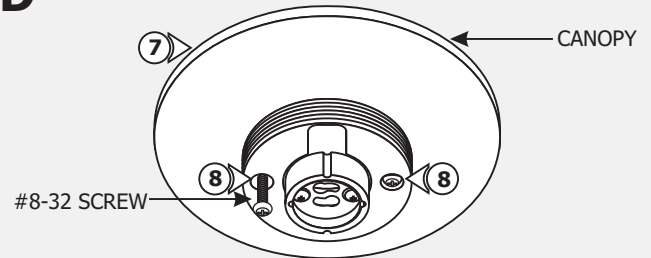
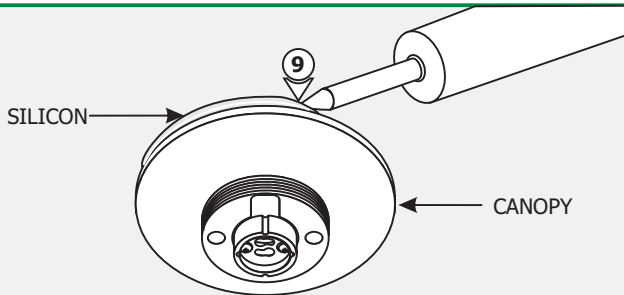
4: Make sure the fixture is grounded in accordance with local electrical codes.

5: Connect the white fixture wire to the neutral power wire with a wire nut.

6: Connect the black fixture wire to the hot power wire with a wire nut.

7: Place all wires and wire nut connections properly inside the electrical box.

8: Align the two canopy holes with the crossbar holes and secure it in place with the two #8-32 Phillips screws provided.

D**E**

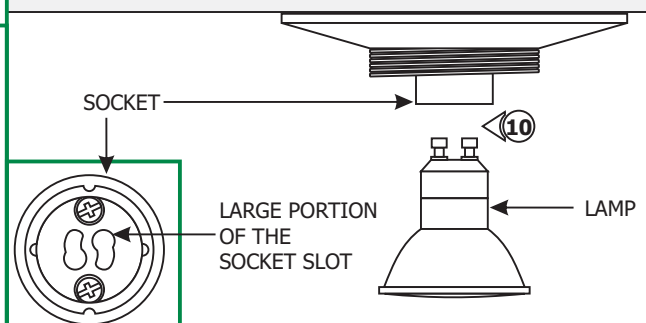
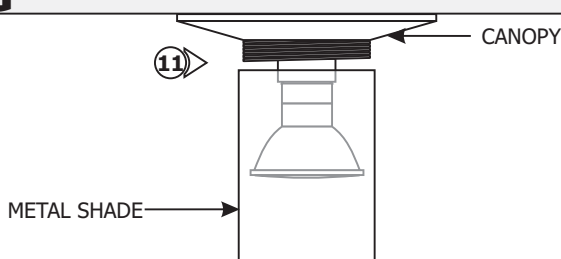
9: For installation in **wet location**, caulk around the fixture canopy with waterproof construction sealant.

CAUTION: To reduce risk of a burn or electrical shock during lamping, disconnect the power to the fixture.

Use **MAX 35** Watt Type GU10 Base MR16/PAR16 Line Voltage Lamp.



10: Push the lamp pins into the large portion of the socket slots and rotate it clockwise to lock it in place.

F**G**

11: Screw the metal shade completely to the canopy.