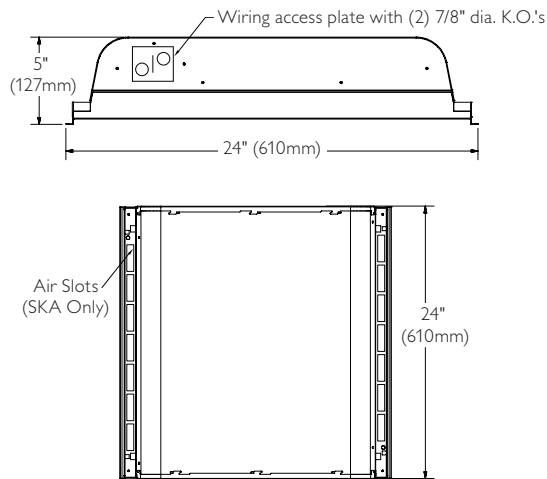


Recessed 2'X2' Luminaire, LED



Ordering Information

Skyway	Body Style	Fixture Size	Ceiling Type	Lens	Lumen Category	Color Temp.	Voltage	Driver Type	Options
SK		22				40	U	LAG	-
Direct-Indirect Recessed Luminaire	A = Air S = Static	22 = 2' X 2' (Nominal size)	G = Standard Grid T = Slot Grid		25A = 2500 lumens 33A = 3300 lumens 38A = 3800 lumens (Approximate delivered values. Consult IES file)	40 = 4000K Consult representative for other color temperature options. (Approximate values. Consult IES file)	U = Universal 120-277v	LAG = LED Driver Consult representative for dimming options	Add appropriate suffix to catalog no., i.e.: (C)
				PK = Pattern 19, 0.156 virgin acrylic center lens with frost white acrylic side lenses. PP = Frost white acrylic center lens with frost white acrylic side lenses.					

Features

- Aesthetically pleasing triple lens design.
- Curved high light transmission frost white acrylic side lenses.
- Clear acrylic conical prismatic center lens.
- Can provide 45 initial footcandles at 0.56 watts per square foot.
- Delivers 3366 lumens with just 44.9 input watts.
- Field replaceable LED array and drivers accessible from below.
- Integrated thermal management system conducts heat away from LEDs and transfers it to the surrounding environment.
- Factory calibrated intelligent driver capable of providing various lumen outputs to balance energy savings with lighting application needs.
- High efficiency LEDs have 50,000 hour rated life at L₇₀.
- Predicted L70 lifetime is based on LED manufacturer's supplied LM-80 data and in-situ laboratory testing.
- Black body to dissipate heat from LEDs.
- 5" deep body.
- Hemmed over side rails for maximum safety.
- Fixture ends turned-in for safe handling.
- Earthquake/Hold-down clips.
- Door jamb finished black on four sides for positive light stop.
- True mitered corner aluminum lens frame.

- Spring loaded rooster head latches.
- 18 gauge steel hinges.
- Construction to meet NYC Code Requirements or Chicago Plenum is available.
- Not for continuous row mounting.
- Five-year warranty on luminaire, LED boards and driver.

Job Information	Type:
Job Name:	
Cat. No.:	
Notes:	

Specifications

Materials: Chassis parts are die-formed code gauge cold rolled steel. Housing with side rails hemmed over and housing ends turned-in for safe handling.

Air Handling: (SKA only) side air passages for air supply or air return.

Finish: Chassis exterior—black baked polyester enamel.

Cavity—white baked polyester enamel minimum 95% reflectance. Rust preventative undercoating.

Lens: PK—Proprietary high quality frost white acrylic and clear conical prism lens assembly. **PP**—Proprietary high quality frost white acrylic lens assembly.

Electrical: LED boards and drivers are RoHS (Restriction of Hazardous Substances) compliant. For dimming options consult factory.

Labels: I.B.E.W. UL and ULc Listed.

Options/Accessories

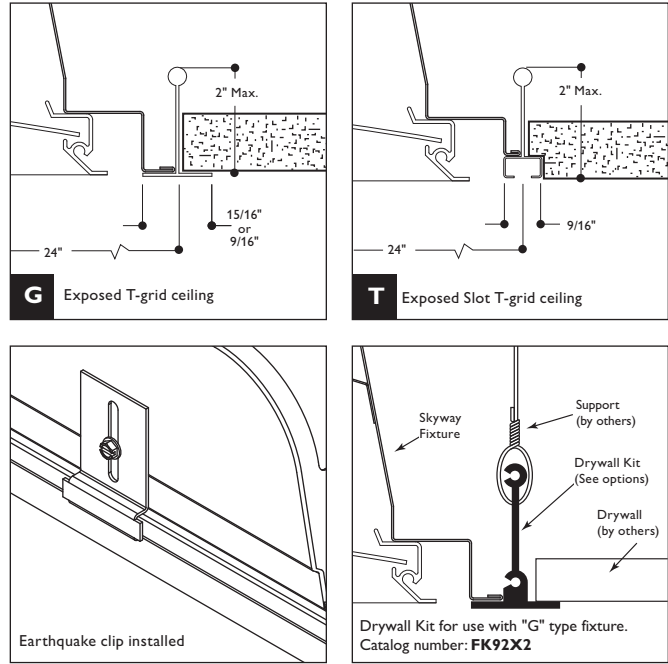
Electrical Wiring Options: Consult factory.

Drywall Kit: Order Catalog Number: **FK92X2**.

Fusing: Internal fast blow fusing: Suffix: **A**.
Internal slow blow fusing: Suffix: **C**.

Chicago Plenum: Suffix: **C**.

Mounting Methods



Job Information Type:

Photometry

Report Number¹: G2011088
 Catalog Number: SKS22GPK33A40ULAG
 Delivered Lumens: 3366
 Correlated Color Temp.²: 4014K
 Input Watts: 44.9
 Efficacy: 75.0 lm/w
 CRI: 84.4
 Lamp: LED
 Luminaire: Skyway recessed LED
 2'X2' with tri-lens assembly.
 CIE Type: Direct/Indirect
 Plane: 0-Deg. 90-Deg.
 Shielding Angles: 90 90
 Plane: 0-Deg. 90-Deg.
 Luminous Length: 21.600 21.600

Candela Distribution

Vertical Angle	Horizontal Angle			Zonal Lumens
	0	45	90	
0	1697	1697	1697	
5	1681	1677	1682	159
15	1588	1590	1593	448
25	1415	1401	1397	646
35	1167	1094	1070	691
45	765	726	753	576
55	406	475	464	415
65	224	269	257	264
75	122	119	127	136
85	27	25	26	30
90	0	0	0	

¹ Tested using absolute photometry as specified in LM79: IESNA Approved Method for the Electrical and Photometric Measurements of Solid-State Lighting Products.

² Correlated Color Temperature within specs as defined in ANSI_NEMA_ANSLG C78.377-2008: Specifications for the Chromaticity of Solid State Lighting Products.

Coefficients of Utilization

Ceiling	80%			50%			30%			
	70	50	30	50	30	10	50	30	10	
RC	Zonal Cavity Method									
RW	Effective Floor Reflectance = 20%									
Room Cavity Ratio	1	110	106	103	100	97	95	96	94	92
2	102	95	89	89	85	81	86	82	79	
3	94	85	77	80	74	70	77	73	69	
4	87	76	68	72	66	61	70	65	60	
5	80	69	61	66	59	54	64	58	53	
6	75	63	54	60	53	48	58	52	48	
7	70	57	49	55	48	43	54	48	43	
8	65	53	45	51	44	39	50	43	39	
9	61	49	41	47	40	36	46	40	36	
10	58	45	38	44	37	33	43	37	33	

Zonal Lumen Summary*

Zone	Lumens	% Lamp	% Fixt.
0-30	1253	37.2	37.2
0-40	1944	57.8	57.8
0-60	2935	87.2	87.2
0-90	3366	100.0	100.0
0-180	3366	100.0	100.0

*Total Efficiency

Average Luminance data in candela / sq. meter

Angle	0°	45°	90°
45	3593.	3410.	3537.
55	2351.	2750.	2687.
65	1760.	2114.	2020.
75	1565.	1527.	1630.
85	1029.	953.	991.

Additional Ordering Information

Catalog Number	Delivered Lumens	Input Watts	Lumens per Watt	Average initial 8'X8' footcandles	8'X8' Watts per sq. foot	Average initial 8'X10' footcandles	8'X10' Watts per sq. foot
SKS22GPK25A40ULAG	2381	30.4	78.3	40	0.48	32	0.38
SKS22GPK33A40ULAG	3366	44.9	75.0	56	0.70	45	0.56
SKS22GPK38A40ULAG	3851	52.8	72.9	64	0.83	52	0.66



Philips Lightolier
 e: lol.webmaster@philips.com
 t: (508) 679-8131, Technical info. (978) 657-7600
 w: www.lightolier.com

SKS22G March 8, 2012

Specifications are subject to change without notice.
 © Koninklijke Philips Electronics N.V., 2012. All rights reserved.

Job Information Type: