



Specifications

**SBF 110 L Series**

Super Quiet Bathroom Ventilation Fan with Light/Nightlight

**Description:** Low RPM, low noise, ceiling mount bathroom fan with light/nightlight engineered for quiet operation • Suitable for new construction, or remodeling • HVI certified • ENERGY STAR qualified • UL/cUL listed for use in insulated ceilings (Type I.C.).

**Motor/Blower:** Permanently lubricated enclosed condenser motor engineered for continuous operation; power rating 120v/60Hz; motor equipped with thermal shut off.

**Housing:** Rust proof paint on steel body; 4" duct connector with built-in back draft dampener; easy installation anti-vibration brackets included; designed for installation in ceilings with minimum of 8" clearance.

**Light:** Energy efficient 26 Watt compact fluorescent bulb included; 4 Watt night light included.

**Grille:** Low maintenance, wipe clean; attaches to housing with torsion springs.

**Finishes:** White (W); Satin Nickel (SN); Oil Rubbed Bronze (OR).

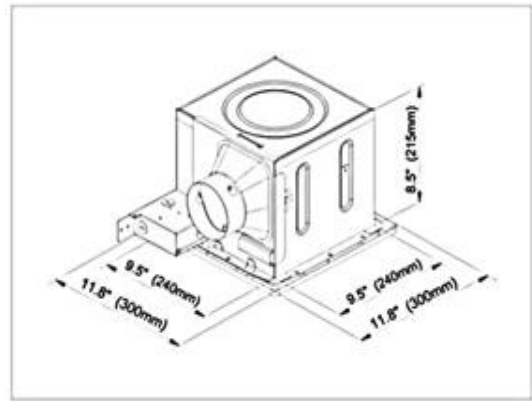
**Ventilating Area:** For bathrooms up to 110 sq ft.

**Installation:** Must be installed by licensed professional. Complete installation instructions included.

**Shipping Weight:** 15 lbs

**Warranty:** 6 Years

**Architect's Specifications:** Ventilation fan will be ceiling mount, ENERGY STAR qualified, with no less than 110 CFM and no more than 1.3 Sones as certified by HVI at 0.1 static pressure in inches water gauge. Power consumption shall be no greater than 29.0 watts and ENERGY STAR rated with an efficiency rating of no less than 3.8 CFM/watt. The motor will be permanently lubricated, engineered for continuous operation. Duct diameter will be 4" round. Fan shall be UL/cUL listed when used with GFCI branch circuit wiring and shall be UL/CUL listed for use in insulated ceiling (Type I.C.). Lamps shall be CFL using no less than one 26W energy efficient, electronic ballast light bulb and include one 4W night light. Fan shall be ASHRAE 62.2, LEED, California Title 24, and Washington VIAQ compliant.



UL/CUL Listed when used with GFCI circuit wiring



L1 (OR) • L1 (SN) • L1 (W)  
Grille



Model: SBF 110 L Series	4" Duct	
Static Pressure (inches w.g.)	0.1	0.25
Air Volume (CFM)	110	98
Noise (sones)	1.3	n/a
Power Consumption (Watts)	29.0	28.4
Energy Efficiency (CFM/Watts)	3.8	3.5
Speed (RPM)	1015	1115
Current (AMPS)	.24	.24
ENERGY STAR rated	Yes	
Grille Dimensions	11 5/6" x 11 5/6"	

Model	Qty	Comments	Project
			Location
			Architect
			Engineer
			Contractor
			Submitted by
			Date