

R4-497

4" ROUND ADJUSTABLE DROP TRIM



Project

Location

PRODUCT DESCRIPTION

4" Round adjustable drop

To be used in low voltage applications.

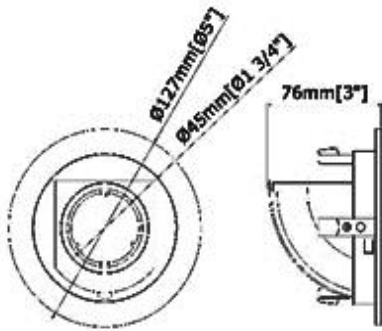
Trim will adjust 90 degrees from vertical position.

LAMPING: Accommodates an MR-16 . Please see housing for maximum wattage allowed according to selection. (CANNOT BE USED WITH GU-10 WHIP)

Painted finishes are powder coated for abrasion resistance, clear lens included. Steel metal clips secure to housing.

DIAMETER: 4 7/8"

FINISHES: Matte White (MW), Bronze (BZ), Brushed Nickel (BN)



MODEL	FINISH
	MW
R4-497	BNB
	BZ

COMPATIBLE HOUSINGS

Model	Description
R4-050	4" LOW VOLTAGE NON IC REMODEL HOUSING REMOTE TRANSFORMER (NOT SUPPLIED) 50W MAX MR-16
R4-499AT	4" LOW VOLTAGE NON IC AIRTITE NEW CONSTRUCTION HOUSING 50W MAX MR-16
R4-499ICA	4" LOW VOLTAGE IC AIRTITE NEW CONSTRUCTION HOUSING 35W MAX MR-16
R4-499RAT	4" LOW VOLTAGE NON IC AIRTITE REMODEL HOUSING 50W MAX MR-16