

LTK3120

PAR20 Builder's Line Voltage Track Kit

Specifications/Features

Fixture

The Builder's track light package provides a very economical three light fixture kit. Kit includes: (3) CTL120-P Fixtures (white finish), (1) LT-4-P (4-foot track section) and (1) LA-7-P (floating feed kit). The Flat back cylinder style fixtures are ideal for commercial or residential applications.

The Flat back cylinder style fixtures are ideal for commercial or residential applications.

Stem mounting conceals wires while providing 350° rotation with full vertical adjustment.

A black phenolic baffle assures full cutoff.

These models may be used with LA-2 or LA-12 connectors, and additional track sections.

Each fixture will accept (1) LF20 lens, LA-37 Egg Crate Louver or BD20 Barn Doors by using the FA-20 accessory holder.

Lamp

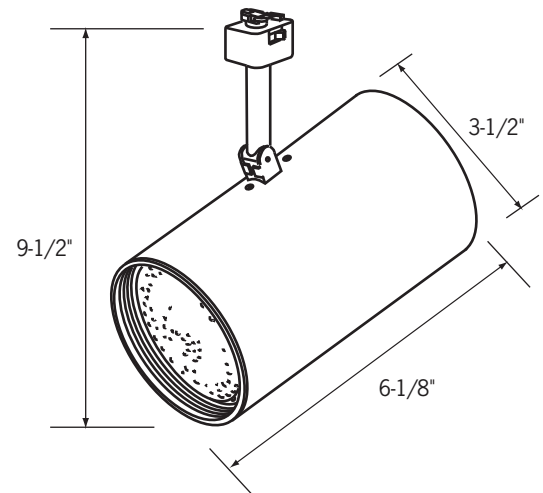
(3) 50W PAR20 (max) or (3) 75W R20 (max); 120V, E26 medium base.

Warranty

This fixture is covered by ConTech's full one (1) year replacement guarantee after date of purchase.

Listing

cULus listed. Suitable for dry locations.



Ordering Information

Example Order: -

Fixture

LTK3120

Finish

P - White

Accessory Holder

FA-20-(B,P,S)

Accessories

BD20 - Black Barn Doors
LA-37-(B,P,S) - Egg Crate Louver
LF20 - (A, B, CL, G, LB, R, RO, Y, 73, LS, SL, UV)
 3-3/4" Tempered glass lenses

Color/Pattern Legend

-A (Amber), -B (Blue), -CL (Clear), -G (Green),
 -LB (Light Blue), -R (Red), -RO (Rose), -Y (Yellow),
 -73 (Spread Lens), -LS (Linear Spread Lens),
 -SL (Soft Light), -UV (Optivex UV Filter)