

Specifications/Features

Fixture

Long gimbal designed for low voltage (12V) MR16 Halogen lamps. Sure-Set yoke design provides accurate aiming; holding fixture in position with one knob.

358° aiming.

For use with single circuit track only.

Lamp/Electrical

(1) 20W - 50W MR16 lamp (max.), GU5.3 base.

Solid state electronic transformer (120V/12V) encased in a polycarbonate transformer housing.

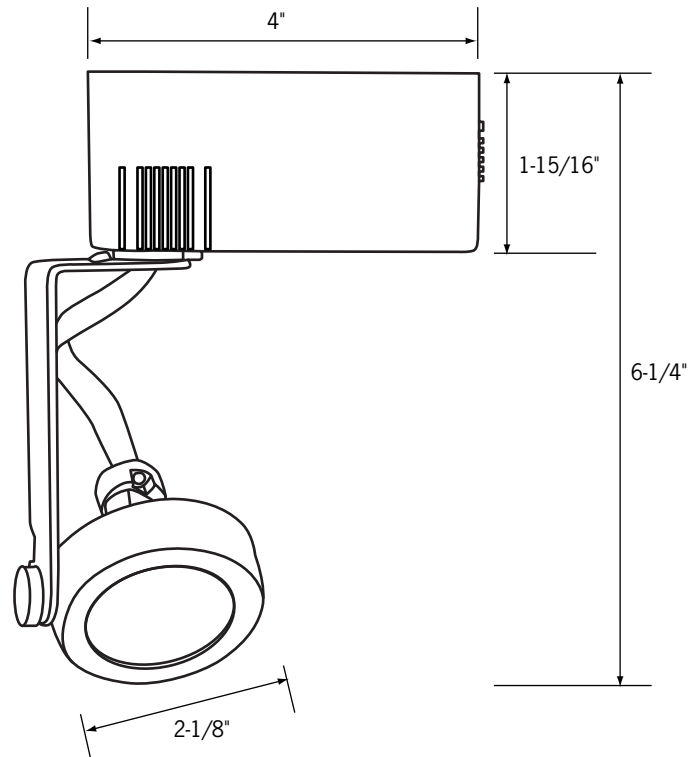
On fixtures designed for use with MR16 lamps, ConTech Lighting provides a clear, tempered safety glass. This safety glass should only be used with open MR16 lamps, and not used with MR16 lamps that contain an integral glass lens. This safety glass should be removed if use of MR16 with front glass is required.

Warranty

This fixture is covered by ConTech's full one (1) year replacement guarantee after date of purchase.

Listing

cCSAus Certified. Suitable for dry locations.



Ordering Information

Example Order: -

Fixture

CTL816T

Finish

B - Black
P - White

Accessories

LF16 - A, B, CL, G, LB, R, RO, Y, 73, LS, SL, UV

2" Tempered glass lenses

FA-16 - Honeycomb Louver

Color/Pattern Legend

-A (Amber), **-B** (Blue), **-CL** (Clear), **-LB** (Light Blue),
-R (Red), **-RO** (Rose), **-Y** (Yellow), **-73** (Spread Lens),
-LS (Linear Spread Lens), **-SL** (Soft Light),
-UV (Optivex UV Filter)