

# CTL1216T

## Closed Back MR16 Track Fixture with Vertical Transformer

### Specifications/Features

#### Fixture

Simple styling; durable die-cast aluminum construction.  
Closed back MR16 bullet design for front lamp replacement.  
Adjustable to 180° horizontal rotation; 180° vertical rotation.  
Equipped with a regressed track adapter and polarity indicator.

#### Lamp/Electrical

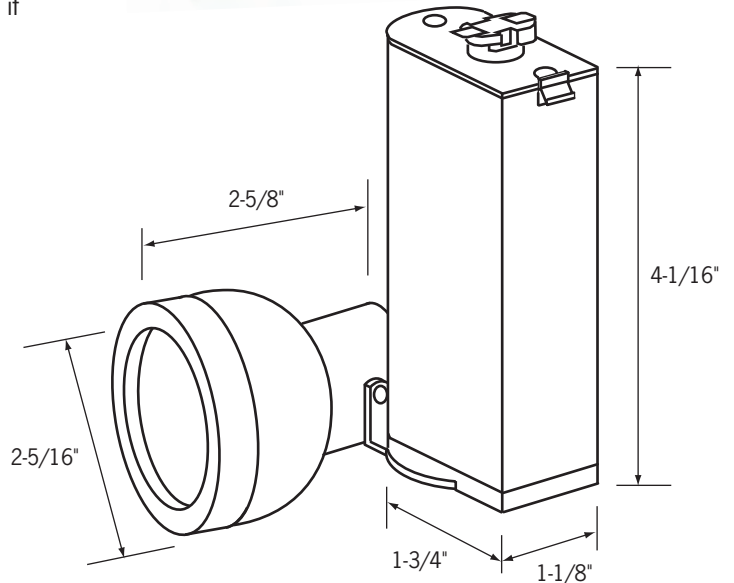
(1) 50W MR16 Lamp (GU5.3 Base) (max).  
Electronic (120/12V) vertical transformer is included.  
On fixtures designed for use with MR16 lamps, ConTech Lighting provides a clear, tempered safety glass. This safety glass should only be used with open MR16 lamps, and not used with MR16 lamps that contain an integral glass lens. This safety glass should be removed if use of MR16 with front glass is required.

#### Warranty

This fixture is covered by ConTech's full one (1) year replacement guarantee after date of purchase.

#### Listing

cCSAus Certified. Suitable for dry locations.



### Ordering Information

Example Order:  -

Fixture

**CTL1216T**

Finish

**B** - Black  
**P** - White  
**S** - Silver

Accessories\*

**LF16** - **A, B, CL, G, LB, R, RO, Y, 73, LS, SL, UV**  
Tempered glass lenses

**FA-16** - Honeycomb Louver

*Color/Pattern Legend*

**-A** (Amber), **-B** (Blue), **-CL** (Clear), **-LB** (Light Blue),  
**-R** (Red), **-RO** (Rose), **-Y** (Yellow), **-73** (Spread Lens),  
**-LS** (Linear Spread Lens), **-SL** (Soft Light),  
**-UV** (Optivex UV Filter)