

# CTL602

## Universal Lampholder Low Profile Side Swivel Line Voltage Track Fixture

### Specifications/Features

#### Fixture

This fixture has a very low profile bracket that is well suited for close to ceiling or hidden applications. Side mounted socket bracket design reduces fixture depth. Sure-Set aiming adjustment holds set position accurately. May be track mounted or used in mono-point applications with the LA-18 mono-point accessory. Precise, rigid aiming and full 350° rotation. Integral ON/OFF switch and track polarity indicator are standard.

#### Lamp

(1) 50W PAR20, 75W PAR16, 75W PAR30 or 250W PAR38; 120V, E26 medium base.

#### Warranty

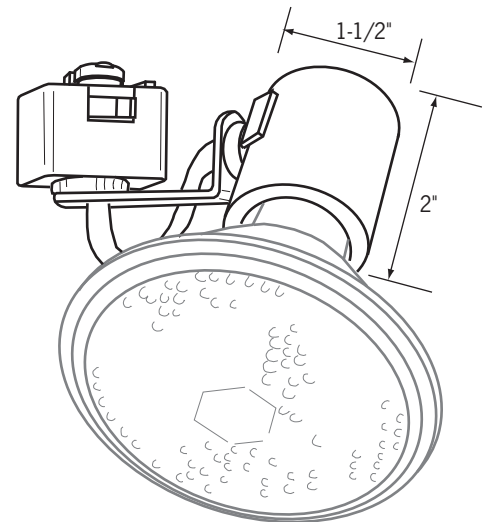
This fixture is covered by ConTech's full one (1) year replacement guarantee after date of purchase.

#### Listing

cCSAus Certified. Suitable for dry locations.

#### Fixture Compatibility

Standard ConTech track fixtures are cCSAus certified as-is for use with ConTech's many track systems, as well as with Juno®<sup>1</sup> Lighting track. By changing the prefix in the part number, ConTech can install inserts which make our fixtures compatible with other manufacturers. Replace "CTL" with "HTL" for Halo®<sup>2</sup> track, "LTL" for Lightolier®<sup>3</sup> track, and "PTL" for Capri®<sup>4</sup> track. For more information, please consult our factory.



Shown With Short Neck PAR30 Lamp

### Ordering Information

Example Order:  —

Track System	Fixture	Finish
<input type="text"/>	<input type="text"/>	<input type="text"/>

**CTL** - ConTech  
**HTL** - Halo  
**LTL** - Lightolier  
**PTL** - Capri

**602**

**B** - Black with White Porcelain Socket  
**P** - White

1. Juno is a registered trademark of Juno Lighting  
2. Halo is a registered trademark of Cooper Lighting  
3. Lightolier is a registered trademark of Philips Lighting  
4. Capri is a registered trademark of Philips Lighting