

CTL8816T

Low Voltage Micro/Lyte™ Gimbal Style Track Fixture

Specifications/Features

Fixture

High-tech styling and durable die-cast construction. Compact vertical style transformer model features side mounted fixture to reduce silhouette. Integral ON/OFF switch and track polarity indicator are standard.

Lamp

(1) 50W MR16 Lamp (max), transformer included. On fixtures designed for use with MR16 lamps, ConTech Lighting provides a clear, tempered safety glass. This safety glass should only be used with open MR16 lamps, and not used with MR16 lamps that contain an integral glass lens. This safety glass should be removed if use of MR16 with front glass is required.

Warranty

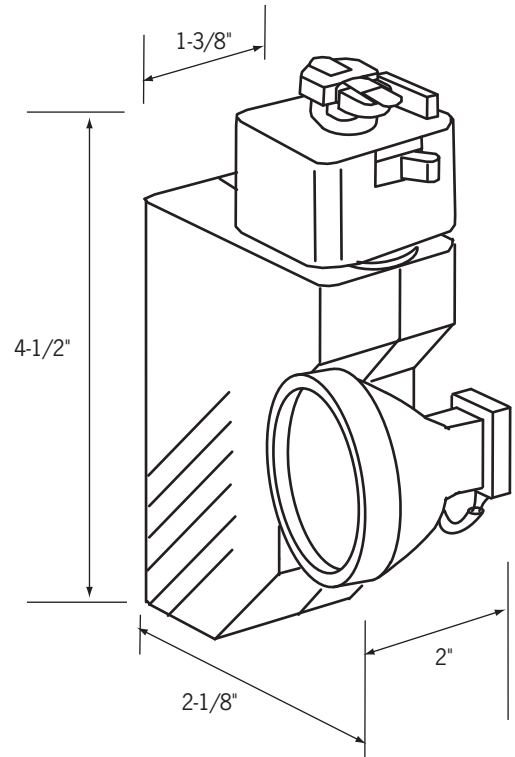
This fixture is covered by ConTech's full one (1) year replacement guarantee after date of purchase.

Listing

cULus listed. Suitable for dry locations.

Fixture Compatibility

Standard ConTech track fixtures are cCSAus Certified as-is for use with ConTech's many track systems, as well as with Juno®¹ Lighting track. By changing the prefix in the part number, ConTech can install inserts which make our fixtures compatible with other manufacturers. Replace "CTL" with "HTL" for Halo®² track, "LTL" for Lightolier®³ track, and "PTL" for Capri®⁴ track. For more information, please consult our factory.



Ordering Information

Example Order: –

Track System

CTL - ConTech
HTL - Halo
LTL - Lightolier
PTL - Capri

Fixture

8816T

Finish

B - Black
P - White
S - Silver

Accessories

LF16-(A, B, CL, G, LB, R, RO, Y, 73, LS, SL, UV)
2" Tempered glass lenses

Color/Pattern Legend

-A (Amber), **-B** (Blue), **-CL** (Clear), **-LB** (Light Blue),
-R (Red), **-RO** (Rose), **-Y** (Yellow), **-73** (Spread Lens),
-LS (Linear Spread Lens), **-SL** (Soft Light),
-UV (Optivex UV Filter)

1. Juno is a registered trademark of Juno Lighting
2. Halo is a registered trademark of Cooper Lighting
3. Lightolier is a registered trademark of Philips Lighting
4. Capri is a registered trademark of Philips Lighting