

Specifications/Features

Fixture

2-plane gimbal design permits 360° horizontal swivel and 150° adjustability in the vertical plane for excellent aiming. "Sure-Set" yoke holds the fixture firmly in place. Integral ON/OFF switch and track polarity indicator are standard. Fixture will accept (1) LF30 lens by using FA-28 black accessory mounting clips.

Lamp

(1) 75W PAR30 Lamp (max.) 120V, E26 medium base.

Warranty

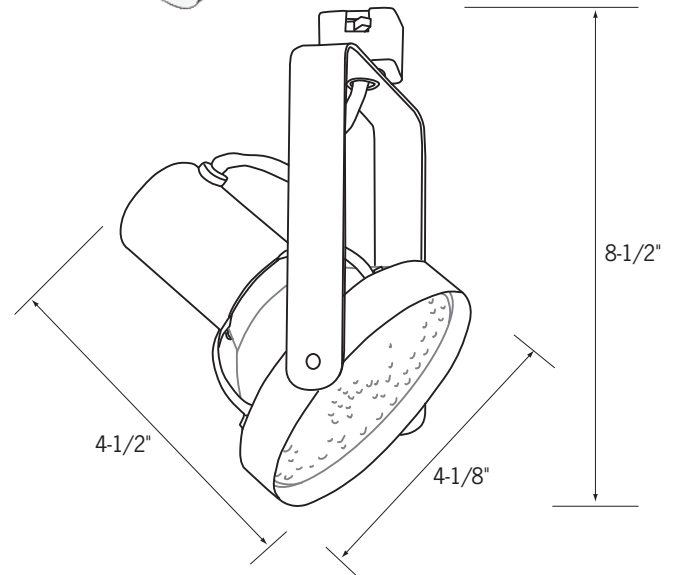
This fixture is covered by ConTech's full one (1) year replacement guarantee after date of purchase.

Listing

cCSAus Certified. Suitable for dry locations.

Fixture Compatibility

Standard ConTech track fixtures are cCSAus Certified as-is for use with ConTech's many track systems, as well as with Juno^{®1} Lighting track. By changing the prefix in the part number, ConTech can install inserts which make our fixtures compatible with other manufacturers. Replace "CTL" with "HTL" for Halo^{®2} track, "LTL" for Lightolier^{®3} track, and "PTL" for Capri^{®4} track. For more information, please consult our factory.



Ordering Information

Example Order: -

Track System	Fixture	Finish	Accessory Holder	Accessories
<input type="text"/>	<input type="text"/>	<input type="text"/>	<input type="text"/>	<input type="text"/>
CTL - ConTech HTL - Halo LTL - Lightolier PTL - Capri	2830	B - Black P - White S - Silver	FA-28	LF30 - A, B, CL, G, LB, R, RO, Y, 73, LS, SL, UV 4-3/4" Dia. tempered glass lenses LA-38-(B,P,S) - Egg-Crate Louver

Color/Pattern Legend
-A (Amber), **-B** (Blue), **-CL** (Clear), **-G** (Green), **-LB** (Light Blue), **-R** (Red), **-RO** (Rose), **-Y** (Yellow), **-73** (Spread Lens), **-LS** (Linear Spread Lens), **-SL** (Soft Light), **-UV** (Optivex UV Filter)

1. Juno is a registered trademark of Juno Lighting
 2. Halo is a registered trademark of Cooper Lighting
 3. Lightolier is a registered trademark of Philips Lighting
 4. Capri is a registered trademark of Philips Lighting