

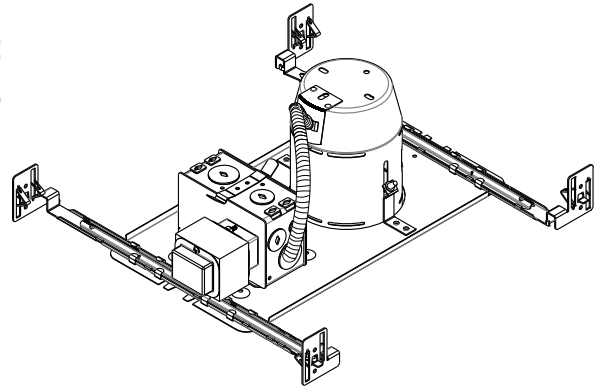
SPECIFICATION SHEET

4" 2000 SERIES

NW2000LM

NW2000LM2
NW2000LM3

LONG NEW CONSTRUCTION HOUSING
WITH MAGNETIC TRANSFORMER



YES

Damp Location



MR16

MR16 75W MAX



Voltage

NW2000LM : 120 VOLTS (CAN & USA.)
NW2000LM2 : 277 VOLTS (USA)
NW2000LM3 : 347 VOLTS (CANADA)



Magnetic Transformer

EC50M 75 VA 120V / 12V
EC50M2 75 VA 277V / 12V
EC50M3 75 VA 347V / 12V



Thermal Protector

T°C 125°C No 031



OD Cut

4 1/4" (108mm)



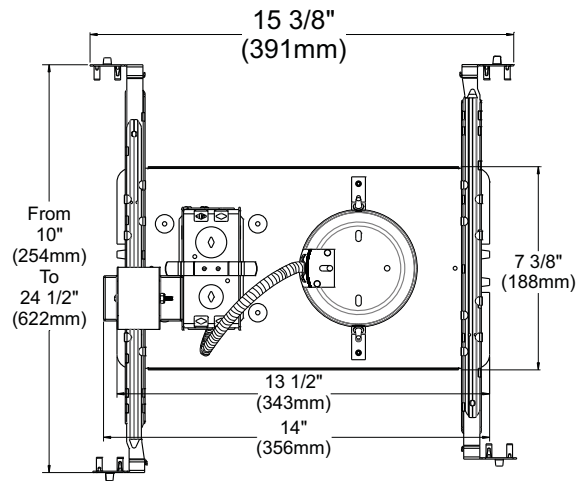
UL LISTED

E174023



Dimensions

Overall Dimensions :
Length : 14" (356mm) with bars : 15 3/8" (390mm)
Width : 7 3/8" (187mm) with bars : min 10" (254mm)
Height : 5 1/2" (140mm)



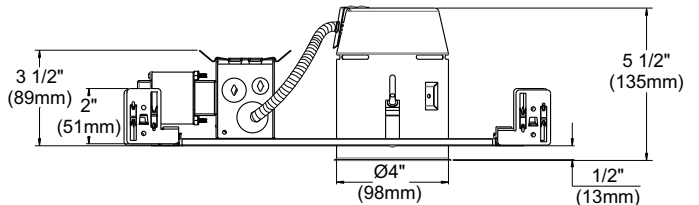
COMPATIBLE TRIMS

75W MR16

R2000
R2450VT
T2000
T2000V (T2010V)

50W MR16

R2000VSM/ST R2100VT S2000
R2010VSM/ST R2100VSM/ST S2051
R2030VSM/ST R2110VSM/ST S2100
R2020 R2130VSM/ST T2000VL (T2010VL)
R2051 R2120 T2000VS (T2010VS)
R2100 R2450VT T2000VLS (T2010VLS)



TECHNICAL SPECIFICATIONS

0,051" (1,3mm) thickness Galvanized Steel.
Below-ceiling accessible.
Hooks PAT#CAN 2,088,648 and #USA 5,377,088.
Takes up to 7/8" thick ceiling.
Perfect fit into ceiling.
No light leak.



Your representative : _____

Your project : _____

CONTRAST
LIGHTING

1009, rue du Parc Industriel, Saint-Jean-Chrysostome, Qc, CAN, G6Z1C5 Tel.: 1-888-839-4624 Fax : 1-877-839-7057
info@contrastlighting.com
www.contrastlighting.com

2014-09