

INSTALLATION INSTRUCTIONS

Remodel Housing - 7000 Series

DO NOT INSTALL IN INSULATION - SUITABLE FOR DAMP LOCATION

IT7000E - IT7000E2 - IT7000M - IT7000M2 - IT7000M3

WARNING - FIRE HAZARD

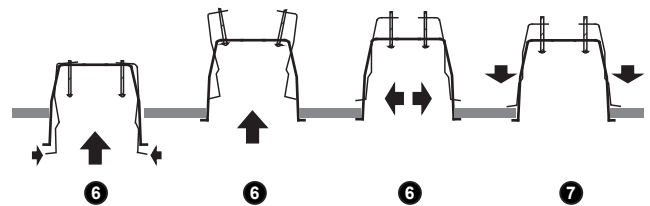
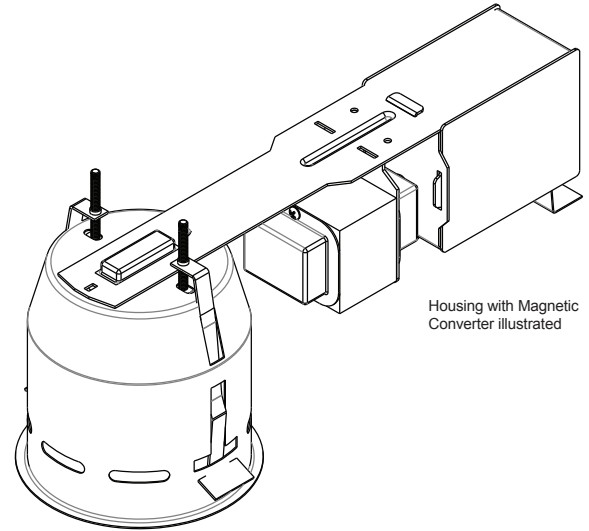
Only magnetic low voltage dimmers are approved for use with MR16 and LED MR16 lamps in Contrast lighting products with a magnetic transformer.

The use of any other dimmer may cause a fire.

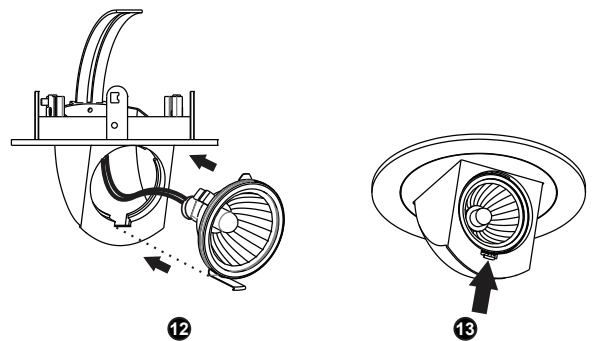
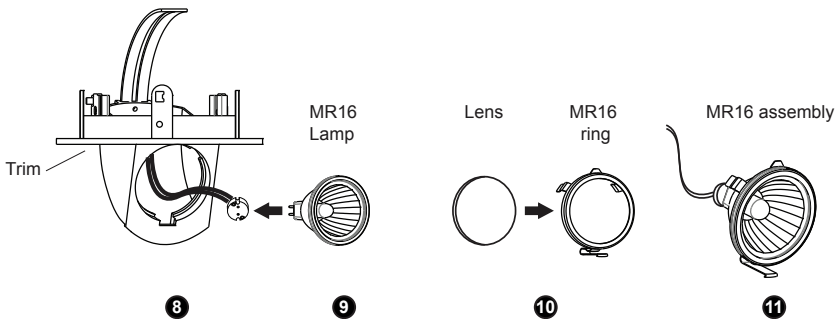
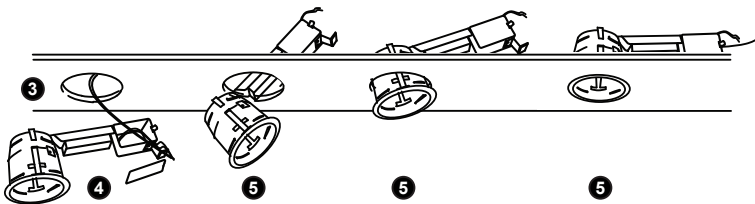
1. SHUT OFF THE ELECTRICAL SUPPLY AT SOURCE.

2. Bring the electrical wiring in the ceiling respecting all the codes.
3. Cut a \varnothing 4 5/16" (110 mm) hole.
4. Connect the wires (Black/Black, White/White and Green/Green). Close the box.
5. Slide the fixture into position.
6. Push fastening hooks through the lateral openings.
7. Fasten the fixture with the adjustment screws.
8. Insert the trim, and make the socket go through the trim opening.
9. Connect the MR16 lamp to the socket.
10. Insert the lens in the MR16 ring.
11. Insert the the MR16 lamp in the MR16 ring.
12. Insert the MR16 assembly in the trim opening, and align the MR16 ring hook with the groove into trim opening. Click.
13. To replace the lamp, push the MR16 ring hook and gently pull down the MR16 assembly.

***Use supplied glass lens only with unprotected MR16 lamps.**



N.B.: Fixation system (hooks)
Patent # CAN. 2.088.648 / # USA 5.377.088



Please keep these instructions for maintenance reference.



WARNING

The use of other company's (non-Contrast) products or components (e.g. trims) in conjunction with Contrast products may not be covered by UL approvals, and could be hazardous. Such use automatically voids all Contrast warranty and responsibility from any problems that may result from such use.



WARNING

SHOCK AND FIRE HAZARD

Most dwellings built before 1985 have supply wires rated 60°C. Consult a qualified electrician before installing.



It is very important not to exceed the lamp wattage indicated.

WARRANTY: CONTRAST LIGHTING M. L. INC. guarantees the components against manufacturing defects for a period of one (1) year, under normal use with proof of purchase. The obligation of the manufacturer consists in the cost of the components and does not cover the cost of labor and transport for replacement. For all claims, please contact your local supplier. See our Web site for additional warranty details.

CONTRAST
LIGHTING

CONTRAST LIGHTING M. L. INC.
1009 RUE DU PARC-INDUSTRIEL
LÉVIS QC G6Z 1C5
CANADA

Tel: 1-888-839-4624
Fax: 1-877-839-7057
info@contrastlighting.com
www.contrastlighting.com

PRINTED IN CANADA

© 2015 Contrast Lighting M.L. Inc.
All rights reserved
EC127 (Rev. C) - 100502
2015-03