

T7024

4-1/4" Series

Round Trim with Square Elbow

SPECIFICATIONS

TRIM	Powder coat painted or plated die-cast aluminum. Different finishes available.
LAMPS (maximum wattage)	MR16 GU 5.3 35-50W This product was designed for MR16 halogen lamps. If you want to use the dimming option and you replace the MR16 lamp by an equivalent LED lamp, please refer regularly to the lamp manufacturer compatibility list. Use supplied glass lens only with unprotected MR16 lamps.
CEILING CUTOUT	Ø 4-3/8" (111 mm)
CERTIFICATION	cULus E174023 for damp locations
WARRANTY	1 year for standard finishes.

Project _____

Notes _____

Fixture Type _____

Date _____

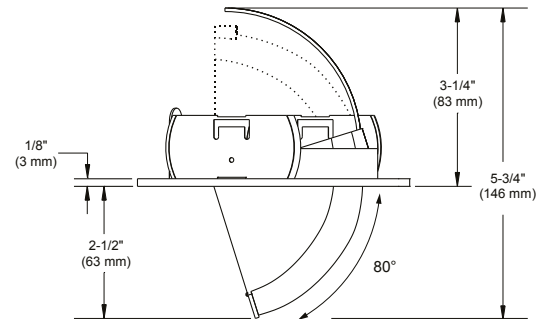


T7024-01 (illustrated)
(Lamp not included)

358° swivelling central part

COMPATIBLE HOUSINGS

	Remodel Housing	New Construction Housing	Insulated Housing
HALOGENS	MR16 GU 5.3 50W IT7000E IT7000M	MR16 GU 5.3 50W NW7000E NW7000M	MR16 GU 5.3 35W ISMR7000E35 ISMR7000M35



CODIFICATION EXAMPLE

T7024-13

MODEL TRIM FINISH

ORDERING CODE

MODEL	TRIM FINISH
T7024	
T7024	-01 White
	-02 Black
	-03 Gold Plated 24K
	-04 Chrome
	-04BR Brushed Chrome
	-05 Architectural Bronze
	-06 Antique Copper
	-11 Matte White
	-12BR Brushed Nickel
	-13 Satin Nickel
	-15 Metallic Grey

