

T4145

3" Series

Low Profile Square Regressed Trim

SPECIFICATIONS

TRIM	Powder coat painted or plated die-formed steel. Different finishes available. Painted finishes available with Marine Grade option.								
LAMP	MR16 20W MAX This product was designed for MR16 halogen lamps. If you want to use the dimming option and you replace the MR16 lamp by an equivalent LED lamp, please refer regularly dimmer compatibility list on our Website.								
REFLECTOR	Standard: Anodized aluminum <table border="0"> <tr> <td>Specular</td> <td>Painted</td> </tr> <tr> <td>Black (BK)</td> <td>White (-01)</td> </tr> <tr> <td>Clear (CL)</td> <td>Black (-02)</td> </tr> <tr> <td></td> <td>Matte White (-11)</td> </tr> </table>	Specular	Painted	Black (BK)	White (-01)	Clear (CL)	Black (-02)		Matte White (-11)
Specular	Painted								
Black (BK)	White (-01)								
Clear (CL)	Black (-02)								
	Matte White (-11)								
CEILING CUTOUT	Ø 3-1/4" (82 mm)								
CERTIFICATION	cULus E174023 for damp locations								
WARRANTY	1 year for standard finishes, 2-year on "Marine Grade" finish.								

Project _____

Notes _____

Fixture Type _____

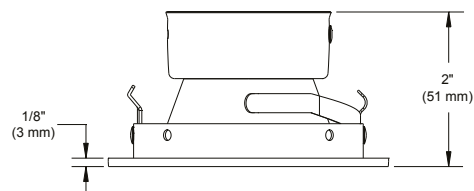
Date _____



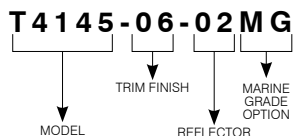
T4145-04BRBK (illustrated)

COMPATIBLE HOUSINGS

	Remodel Housing	New Construction Housing	Insulated Housing
HALOGENS	MR16 GU 5.3 20W IT4000E IT4000M	MR16 GU 5.3 20W NW4000E NW4000M	MR16 GU 5.3 20W ISMR4000M

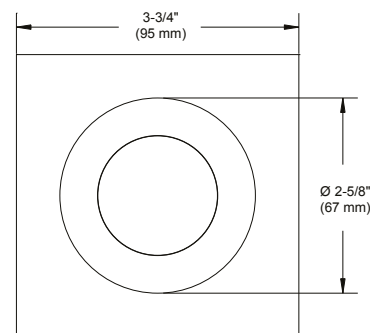


CODIFICATION EXAMPLE



ORDERING CODE

MODEL	TRIM FINISH	REFLECTOR	MARINE GRADE
T4145			
	-01 White	ANODIZED	MG (optional)
	-02 Black	... Aluminum (standard)	May be applied on finishes:
	-03 Gold Plated 24K		-01, -02, -05, -06, -11 and -15
	-04 Chrome	SPECULAR	
	-04BR Brushed Chrome	CL Clear	
	-05 Architectural Bronze	BK Black	
	-06 Antique Copper		
	-11 Matte White	PAINT	
	-12BR Brushed Nickel	-01 White	
	-13 Satin Nickel	-02 Black	
	-15 Metallac Grey	-11 Matte White	



MARINE GRADE - Unless otherwise indicated, trims are for interior, cold and exterior locations where fixtures are not subjected to direct rain or snow exposure as in soffits. MARINE GRADE treatment is recommended for exterior, shower and high salinity environment uses.

