

# R2120

4" Series

## Low Profile Very Deep Regressed Square Trim

Project
Notes
Fixture Type
Date

### SPECIFICATIONS

TRIM	Powder coat painted or plated die-formed steel. Different finishes available. Painted finishes available with Marine Grade option.
LAMPS (maximum wattage)	<b>MR16 LED GU 5.3</b> 11.5W <b>MR16 GU 5.3</b> 50W For dimming a MR16 LED lamp, please refer to the selected housing specification sheet. (compatible housings list below).  <b>*Use supplied glass lens only with un protected MR16 lamps.</b>
REFLECTOR	<b>Low iridescence semi-specular aluminum</b>
CEILING CUTOUT	<b>Ø 4-1/4" (108 mm)</b>
CERTIFICATION	<ul style="list-style-type: none"> <li>cULus <b>E343977</b> for <b>damp locations</b> (for MR16 LED lamps)</li> <li>cULus <b>E174023</b> for <b>damp locations</b> (for MR16 halogen lamps)</li> </ul>
WARRANTY	1 year for standard finishes, 2 years on "Marine Grade" finishes.



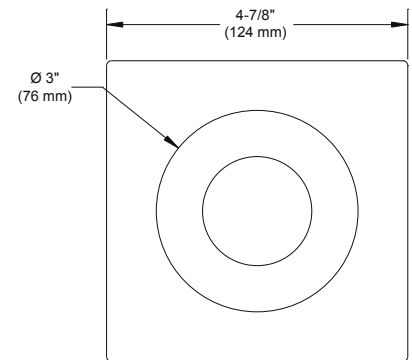
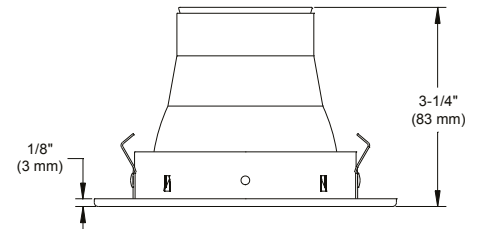
R2120-12BR (illustrated)  
(Lamp not included)

### COMPATIBLE HOUSINGS

	IC Air Tight Remodel Housing	IC Air Tight New Construction Housing
LED	<b>MR16 LED GU 5.3</b> 11.5W IT2000E-LED	<b>MR16 LED GU 5.3</b> 11.5W NW2000E-LED

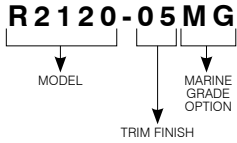
	Remodel Housing	New Construction Housing	Insulated Housing
HALOGENS	<b>MR16 GU 5.3</b> 50W IT2000E IT2000M	<b>MR16 GU 5.3</b> 50W NW2000CM NW2000E NW2000LM	<b>MR16 GU 5.3</b> 50W ISMR2000M



# R2120

4" Series

## CODIFICATION EXAMPLE



## ORDERING CODE

MODEL	TRIM FINISH	MARINE GRADE
<b>R2120</b>		
R2120	<ul style="list-style-type: none"> <li><b>-01</b> White</li> <li><b>-02</b> Black</li> <li><b>-03</b> Gold Plated 24K</li> <li><b>-04</b> Chrome</li> <li><b>-04BR</b> Brushed Chrome</li> <li><b>-05</b> Architectural Bronze</li> <li><b>-06</b> Antique Copper</li> <li><b>-11</b> Matte White</li> <li><b>-12BR</b> Brushed Nickel</li> <li><b>-13</b> Satin Nickel</li> <li><b>-15</b> Metallic Grey</li> <li><b>-17</b> Antique Nickel</li> </ul>	<p><b>MG</b> (optional)            May be applied on finishes:            -01, -02, -05, -06, -11 and -15</p>

**MARINE GRADE** - Unless otherwise indicated, trims are for interior, cold and exterior locations where fixtures are not subject to direct rain or snow exposure as in soffits. MARINE GRADE treatment is recommended for exterior, shower and high salinity environment.

