

NW3000CM

3 1/2" 3000 Series

Project _____

Notes _____

Fixture Type _____

Date _____

Short New Construction Housing with Magnetic Transformer

SPECIFICATIONS

HOUSING DETAILS Up to 18 gauge or 0,051" (1,3 mm) thick galvanized steel housing.
 Junction box can support up to 10 – 14 gauge wires or
 8 – 12 gauge wires.
 Below-ceiling accessible.

MOUNTING **Cutout diameter:** \varnothing 3 5/8" (92 mm)
 Can fit in ceilings up to 1 1/2" (38 mm) thick.
 Requires a 4" (102 mm) clearance beyond the ceiling level.
 Contrast system supports for ease of installation and a perfect fit to ceiling.
 Mounting bars extend from 10" (254 mm) to 24 1/2" (622 mm) to fit in most ceiling structures (compatible with suspended ceilings).
 No light leakage.

LAMP **MR16 50W MAX**
 This product was designed for MR16 halogen lamps. If you want to use the dimming option and you replace the MR16 lamp by an equivalent LED lamp, please see dimmer compatibility list on our Website.

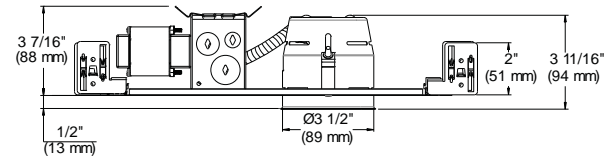
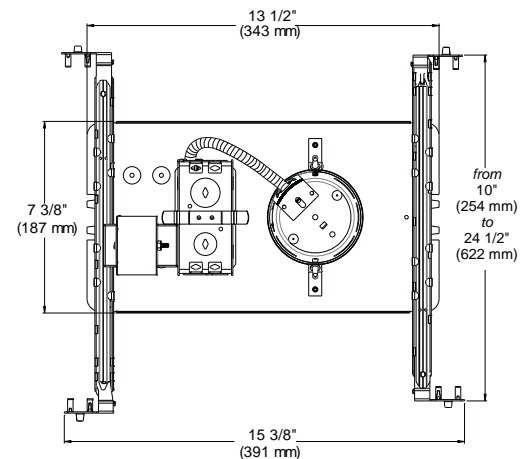
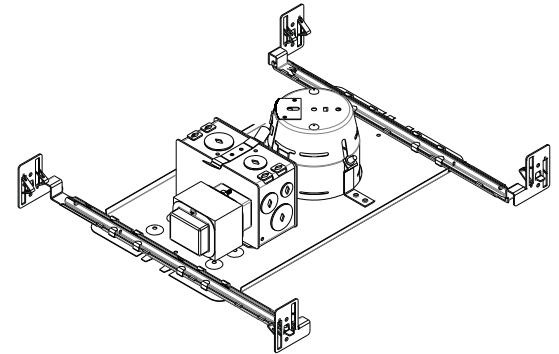
VOLTAGE NW3000CM: 120 Volts (CANADA & USA)
 NW3000CM2: 277 Volts (USA)
 NW3000CM3: 347 Volts (CANADA)

MAGNETIC TRANSFORMER **Magnetic Transformer**
 EC50M 50 VA 120V / 12V
 EC50M2 50 VA 277V / 12V
 EC50M3 50 VA 347V / 12V

COMPATIBLE TRIMS	37W MR16		50W MR16		
	R3152	R3171	R3151	T3145D ST	T3450
R3171	R3450D	R3151K	T3145W	T3450D SM	
R3450D	R3470	R3151W	T3165	T3450D ST	
R3470	R3470D	R3151WK	T3185	T3450K	
R3602	R3602	R3601	T3200	T3450W	
R3652	R3652	R3601W	T3250	T3450WK	
S3145	S3145	R3651	T3260	T3500	
S3145D	S3145D	R3651W	T3300	T3500D SM	
S3151	S3151	T3125	T3400	T3500D ST	
S3400	S3400	T3145	T3400D SM	T3500W	
S3400D	S3400D	T3145D SM	T3400D ST	T3600	
S3450	S3450		T3400W	T3650	
S3450D	S3450D				
R3152					

CERTIFICATION cULus **E174023** for damp locations

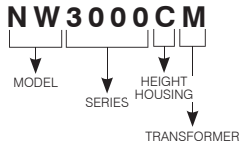
WARRANTY 10 year warranty on transformer and 5 years on the socket.



NW3000CM

3 1/2" 3000 Series

CODIFICATION EXAMPLE



ORDERING CODE

MODEL	SERIES	HEIGHT HOUSING	TRANSFORMER	VOLTAGE
NW	3000	C	M	
NW New Construction	3000 3 1/2" Series	C Short housing	M Magnetic	... 120 VOLTS 2 277 VOLTS 3 347 VOLTS

