

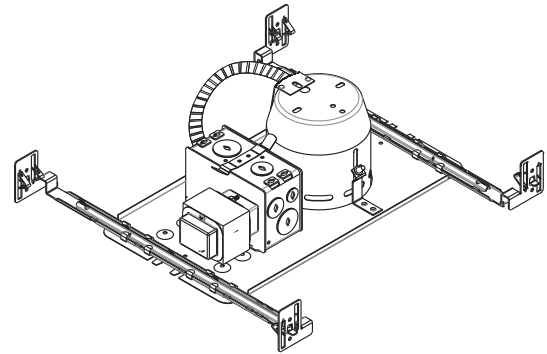
# SPECIFICATION SHEET

4 1/4" 7000 SERIES

# NW7000M

NW7000M2  
NW7000M3

**NEW CONSTRUCTION HOUSING WITH  
MAGNETIC TRANSFORMER**



YES

Damp Location



MR16

MR16 50W MAX



Voltage

NW7000M : 120 VOLTS (CAN & USA.)  
NW7000M2 : 277 VOLTS (USA)  
NW7000M3 : 347 VOLTS (CANADA)



Magnetic Transformer  
EC50M 50 VA 120V / 12V  
EC50M2 50 VA 277V / 12V  
EC50M3 50 VA 347V / 12V



Thermal Protector

T°C 110°C No 029



OD Cut

4 5/16" (110mm)



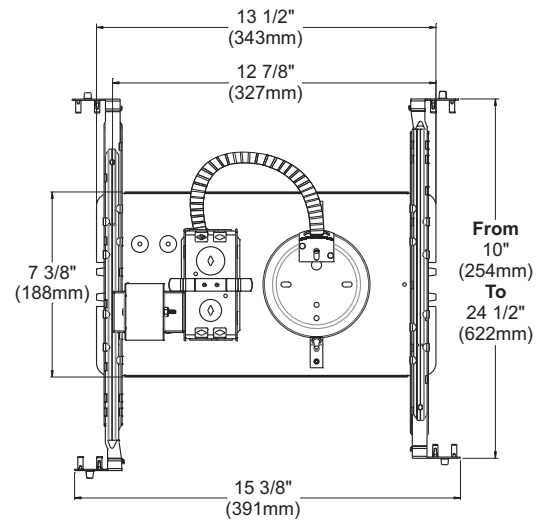
LISTED

E174023



Dimensions

Overall Dimensions :  
Length : 13 1/2" (343mm) with bars : 15 3/8" (391mm)  
Width : 7 3/8" (188mm) with bars : min 10" (254mm)  
Height : 4 9/16" (116mm)

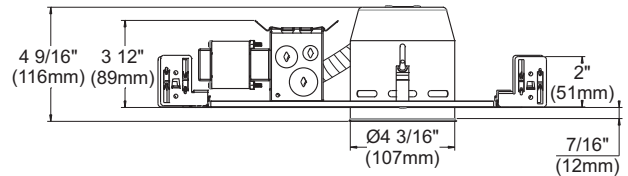


## COMPATIBLE TRIMS

37W MR16	50W MR16
T7800	T7024 T7025

## TECHNICAL SPECIFICATIONS

0,051" (1,3mm) thickness Galvanized Steel.  
Below-ceiling accessible.  
Hooks PAT#CAN 2,088,648 and #USA 5,377,088.  
Takes up to 7/8" thick ceiling.  
Perfect fit into ceiling.  
No light leak.



Your representative : \_\_\_\_\_

Your project : \_\_\_\_\_

**CONTRAST**  
LIGHTING

1009, rue du Parc Industriel, Saint-Jean-Chrysostome, Qc, CAN, G6Z1C5 Tel.: 1-888-839-4624 Fax : 1-877-839-7057  
info@contrastlighting.com  
www.contrastlighting.com

DECEMBER 2010