

R2000

4" Series

Low Profile Adjustable Regressed Trim

Project	
Notes	
Fixture Type	
Date	

SPECIFICATIONS

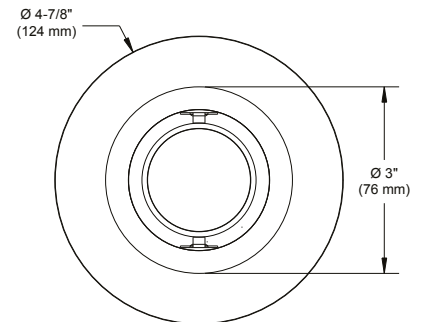
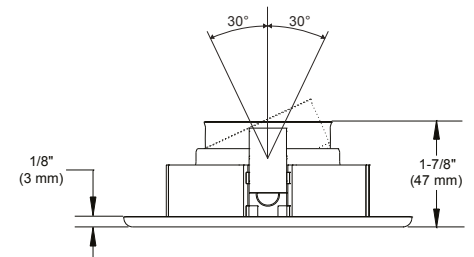
TRIM	Powder coat painted or plated die-formed steel. Different finishes available. Painted finishes available with Marine Grade option.						
LAMPS (maximum wattage)	<table border="0"> <tr> <td>GU10 LED 9.8W</td> <td>GU10 50W</td> </tr> <tr> <td>MR16 LED GU 5.3 11.5W</td> <td>MR16 GU 5.3 35-75W</td> </tr> <tr> <td>PAR16 LED 8W</td> <td></td> </tr> </table> <p>If you want to use the dimming option and you use a GU10 and PAR16 LED lamp, please refer regularly to the lamp manufacturer compatibility list. For dimming a MR16 LED lamp, please refer to the selected housing specification sheet (compatible housings list below).</p> <p>*Use supplied glass lens only with un protected MR16 lamps.</p>	GU10 LED 9.8W	GU10 50W	MR16 LED GU 5.3 11.5W	MR16 GU 5.3 35-75W	PAR16 LED 8W	
GU10 LED 9.8W	GU10 50W						
MR16 LED GU 5.3 11.5W	MR16 GU 5.3 35-75W						
PAR16 LED 8W							
REFLECTORS	<p>Standard reflector: painted black</p> <p>Painted white reflector is available with white trim (R2000-01W). Painted matte white reflector is available with matte white trim (R2000-11W). Clear specular reflector is available with all finishes. Add a "S" at the end of the code. Ex.: R2000-04S.</p>						
CEILING CUTOUT	Ø 4-1/4" (108 mm)						
CERTIFICATION	<ul style="list-style-type: none"> cULus E343977 for damp locations (for GU10, MR16 and PAR16 LED lamps) cULus E174023 for damp locations (for MR16, GU10 halogen lamps) 						
WARRANTY	1 year for standard finishes, 2 years on "Marine Grade" finishes.						



R2000-11 (illustrated)
(Lamp not included)

COMPATIBLE HOUSINGS

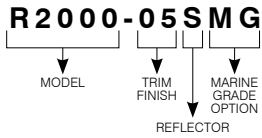
	IC Air Tight Remodel Housing	IC Air Tight New Construction Housing
LED	<p>GU10 LED 9.8W IT2000CT-LED IT2000T-LED</p> <p>MR16 LED GU 5.3 11.5W IT2000CE-LED IT2000E-LED</p> <p>PAR16 LED 8W CA2000-LED</p>	<p>GU10 LED 9.8W NW2000CT-LED NW2000T-LED</p> <p>MR16 LED GU 5.3 11.5W NW2000CE-LED NW2000E-LED</p> <p>PAR16 LED 8W NW2000CA-LED</p>
HALOGENS	<p>Remodel Housing</p> <p>MR16 GU 5.3 42W IT2000CE IT2000CM</p> <p>MR16 GU 5.3 50W IT2000E IT2000M</p> <p>GU10 50W IT2000T</p>	<p>New Construction Housing</p> <p>MR16 GU 5.3 42W NW2000CE</p> <p>MR16 GU 5.3 50W NW2000CM NW2000E</p> <p>MR16 GU 5.3 75W NW2000LM</p> <p>GU10 50W NW2000T</p>
		<p>Insulated Housing</p> <p>MR16 GU 5.3 35W ISMR2000E35</p> <p>MR16 GU 5.3 50W ISMR2000M</p> <p>GU10 50W ISMR2000T</p>



R2000

4" Series

CODIFICATION EXAMPLE



ORDERING CODE

MODEL	TRIM FINISH	REFLECTOR	MARINE GRADE
R2000			
R2000	<ul style="list-style-type: none"> -01 White -02 Black -03 Gold Plated 24K -04 Chrome -04BR Brushed Chrome -05 Architectural Bronze -06 Antique Copper -11 Matte White -12BR Brushed Nickel -13 Satin Nickel -15 Metallic Grey -17 Antique Nickel 	<ul style="list-style-type: none"> Standard: Black S Specular W White reflector is available with white trim. W Matte white reflector is available with matte white trim. 	<ul style="list-style-type: none"> MG (optional) May be applied on finishes: -01, -02, -05, -06, -11 and -15

MARINE GRADE - Unless otherwise indicated, trims are for interior, cold and exterior locations where fixtures are not subject to direct rain or snow exposure as in soffits. MARINE GRADE treatment is recommended for exterior, shower and high salinity environment.

