

NW3000CE

3-1/2" 3000 Series

Shallow New Construction Housing with Electronic Converter

SPECIFICATIONS

HOUSING DETAILS Up to 18 gauge or 0,051" (1,3 mm) thick galvanized steel housing.
 Junction box can support up to 10 – 14 gauge wires or 8 – 12 gauge wires.
 Below-ceiling accessible.

MOUNTING **Cutout diameter:** \varnothing 3-5/8" (92 mm)
 Can fit in ceilings up to 1-1/2" (38 mm) thick.
 Requires a 4" (102 mm) clearance beyond the ceiling level.
 Contrast system supports for ease of installation and a perfect fit to ceiling.
 Mounting bars extend from 10" (254 mm) to 24-1/2" (622 mm) to fit in most ceiling structures (compatible with suspended ceilings).
 No light leakage.

LAMP **MR16 50W MAX**
 This product was designed for MR16 halogen lamps. If you want to use the dimming option and you replace the MR16 lamp by an equivalent LED lamp, please see dimmer compatibility list on our Website.

VOLTAGE NW3000CE: 120 Volts (CANADA & USA)
 NW3000CE2: 277 Volts (USA)

ELECTRONIC CONVERTER **Electronic Converter**
 NW3000CE 120V / 12V
 NW3000CE2 277V / 12V

COMPATIBLE TRIMS	37W MR16		50W MR16	
	R3152	S3500	R3151	T3250
R3171	S3500D	R3151K	T3260	
R3450D	S3601	R3151W	T3300	
R3470	S3651	R3151WK	T3400	
R3602	T3145DG	R3601	T3400D SM	
R3652	T3152	R3601W	T3400D ST	
S3145	T3250DG	R3651	T3400W	
S3145D	T3602	R3651W	T3450	
S3151	T3652	T3000	T3450D SM	
S3400	T3671	T3125	T3450D ST	
S3400D	T3700	T3145	T3450K	
S3450	T3800	T3145D SM	T3450W	
S3450D	T3850	T3145D ST	T3500	
	T3900	T3145W	T3500D SM	
		T3165	T3500D ST	
		T3185	T3500W	
		T3200	T3600	
			T3650	

CERTIFICATION cULus **E174023** for damp locations

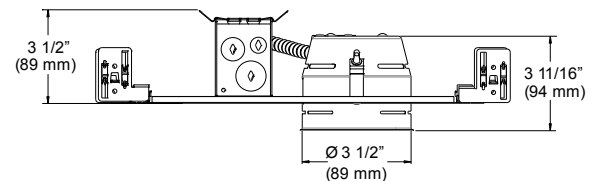
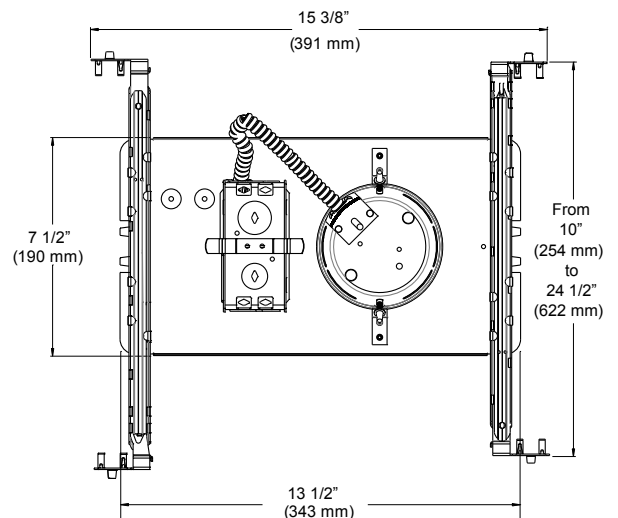
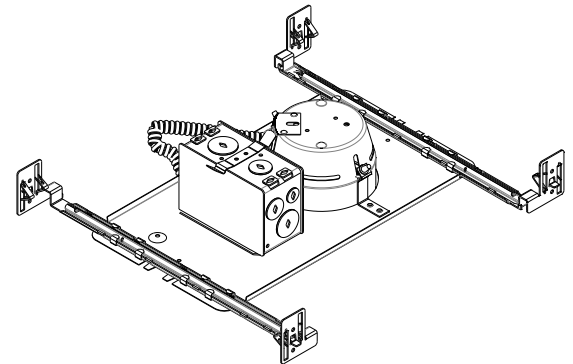
WARRANTY 3 year warranty on converter and 5 years on the socket

Project _____

Notes _____

Fixture Type _____

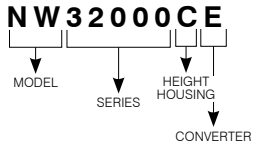
Date _____



NW3000CE

3-1/2" 3000 Series

CODIFICATION EXAMPLE



ORDERING CODE

MODEL	SERIES	HEIGHT HOUSING	CONVERTER	VOLTAGE
NW	3000	C	E	
NW New Construction	3000 3 1/2" Series	C Short Housing	E Electronic	... 120 Volts 2 277 Volts

