

# T3145

3-1/2" Series

## Low Profile Square Regressed Trim

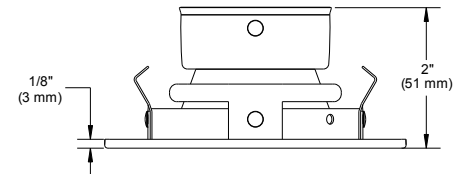
Project
Notes
Fixture Type
Date

### SPECIFICATIONS

TRIM	Powder coat painted or plated die-formed steel. Different finishes available. Painted finishes available with Marine Grade option.		
LAMPS (maximum wattage)	<b>GU10 LED</b> 9.8W <b>MR16 LED GU 5.3</b> 11.5W <b>PAR16 LED</b> 8W	<b>MR16 GU 5.3</b> 20-50W <b>MR16 GX10</b> Ceramic Metal Halide <b>(CMH)</b> 20W	<b>GU10</b> 50W
	If you want to use the dimming option and you use a GU10 or PAR16 LED lamp, please refer regularly to the lamp manufacturer compatibility list. For dimming a MR16 LED lamp, please refer to the selected housing specification sheet (compatible housings list below). <b>*Use supplied glass lens only with un protected MR16 lamps.</b>		
REFLECTORS	<b>Standard: Anodized aluminum</b> <b>Options:</b> <b>Specular</b> <b>Painted</b> Black <b>(BK)</b> White <b>(-01)</b> Clear <b>(CL)</b> Black <b>(-02)</b> Matte White <b>(-11)</b>		
CEILING CUTOUT	<b>Ø 3-5/8" (92 mm)</b>		
CERTIFICATION	<ul style="list-style-type: none"> <li>• cULus <b>E343977</b> for <b>damp locations</b> (for GU10, MR16 and PAR16 LED lamps)</li> <li>• cULus <b>E174023</b> for <b>damp locations</b> (for MR16, GU10 halogen lamps)</li> <li>• cULus <b>E331150</b> for <b>damp locations</b> (for MR16 GX10 CMH lamps)</li> </ul>		
WARRANTY	1 year for standard finishes, 2 years on "Marine Grade" finishes.		

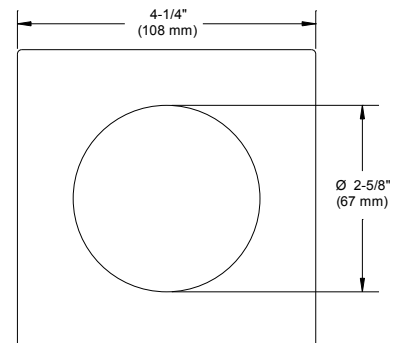


T3145-12BR (illustrated)  
(Lamp not included)



### COMPATIBLE HOUSINGS

LED	IC Air Tight Remodel Housing	IC Air Tight New Construction Housing
	<b>GU10 LED</b> 9.8W IT3000T-LED	<b>GU10 LED</b> 9.8W NW3000T-LED
	<b>MR16 LED GU 5.3</b> 11.5W IT3000CE-LED IT3000E-LED	<b>MR16 LED GU 5.3</b> 11.5W IT3000CE-LED IT3000E-LED
	<b>PAR16 LED</b> 8W CA3000-LED	<b>PAR16 LED</b> 8W NW3000CA-LED



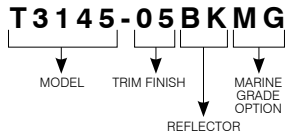
# T3145

## 3-1/2" Series

### COMPATIBLE HOUSINGS

	Remodel Housing	New Construction Housing	Insulated Housing
HALOGENS	<b>MR16 GU 5.3</b> 50W IT3000E IT3000M IT3000LE IT3000LM  <b>GU10</b> 50W IT3000LT	<b>MR16 GU 5.3</b> 50W NW3000CE NW3000CM NW3000LE NW3000LM NWD3000LE NWT3000LE  <b>GU10</b> 50W NW3000LT	<b>MR16 GU 5.3</b> 20W ISMR3000M20 ISMR3000E20  <b>MR16 GU 5.3</b> 35W ISMR3000M35 ISMR3000E35  <b>MR16 GU 5.3</b> 50W ISMR3000M  <b>GU10</b> 50W ISMR3000T
CMH	<b>MR16 GX10 (CMH)</b> 20W MH3000GX120	Non Available	Non Available

### CODIFICATION EXAMPLE



### ORDERING CODE

MODEL	TRIM FINISH	REFLECTOR	MARINE GRADE
<b>T3145</b>			
T3145	<b>-01</b> White <b>-02</b> Black <b>-03</b> Gold Plated 24K <b>-04</b> Chrome <b>-04BR</b> Brushed Chrome <b>-05</b> Architectural Bronze <b>-06</b> Antique Copper <b>-11</b> Matte White <b>-12BR</b> Brushed Nickel <b>-13</b> Satin Nickel <b>-15</b> Metallic Grey <b>-17</b> Antique Nickel	<b>ANODIZED</b> Aluminum (standard)  <b>SPECULAR</b> <b>CL</b> Clear <b>BK</b> Black  <b>PAINTED</b> <b>-01</b> White <b>-02</b> Black <b>-11</b> Matte White	<b>MG</b> (optional) May be applied on finishes: -01, -02, -05, -06, -11 and -15

**MARINE GRADE** - Unless otherwise indicated, trims are for interior, cold and exterior locations where fixtures are not subject to direct rain or snow exposure as in soffits. MARINE GRADE treatment is recommended for exterior, shower and high salinity environment.

