

# T3200

3-1/2" Series

## Low Profile Beveled Adjustable Trim

Project	
Notes	
Fixture Type	
Date	

### SPECIFICATIONS

TRIM	Powder coat painted or plated die-formed steel. Different finishes available. Painted finishes available with Marine Grade option.	
LAMPS (maximum wattage)	<b>GU10 LED 9.8W</b> <b>MR16 LED GU 5.3 11.5W</b> <b>PAR16 LED 8W</b>	<b>GU10 50W</b> <b>MR16 GU 5.3 20-50W</b>
	If you want to use the dimming option and you use a GU10 or PAR16 LED lamp, please refer regularly to the lamp manufacturer compatibility list. For dimming a MR16 LED lamp, please refer to the selected housing specification sheet (compatible housings list below). <b>*Use supplied glass lens only with un protected MR16 lamps.</b>	
CEILING CUTOUT	<b>Ø 3-5/8" (92 mm)</b>	
CERTIFICATION	<ul style="list-style-type: none"> <li>cULus <b>E343977</b> for <b>damp locations</b> (for GU10, MR16 and PAR16 LED lamps)</li> <li>cULus <b>E174023</b> for <b>damp locations</b> (for MR16, GU10 halogen lamps)</li> </ul>	
WARRANTY	1 year for standard finishes, 2 years on "Marine Grade" finishes.	



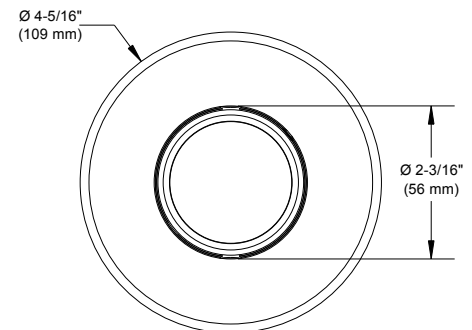
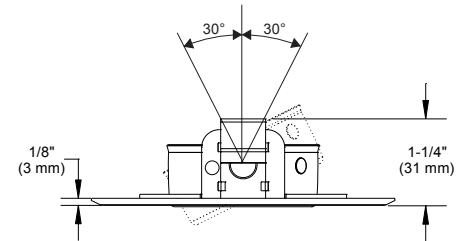
T3200-03 (illustrated)  
(Lamp not included)

### COMPATIBLE HOUSINGS

	IC Air Tight Remodel Housing	IC Air Tight New Construction Housing
LED	<b>GU10 LED 9.8W</b> IT3000CT-LED IT3000T-LED  <b>MR16 LED GU 5.3 11.5W</b> IT3000CE-LED IT3000E-LED  <b>PAR16 LED 8W</b> CA3000-LED	<b>GU10 LED 9.8W</b> NW3000CT-LED NW3000T-LED  <b>MR16 LED GU 5.3 11.5W</b> NW3000CE-LED NW3000E-LED  <b>PAR16 LED 8W</b> NW3000CA-LED
HALOGENS	<b>MR16 GU 5.3 35W</b> IT3000CE IT3000CM  <b>MR16 GU 5.3 42W</b> IT3000E IT3000M  <b>MR16 GU 5.3 50W</b> IT3000LE IT3000LM  <b>GU10 50W</b> IT3000LT	<b>MR16 GU 5.3 50W</b> NW3000CE NW3000CM NW3000LE NW3000LM  <b>GU10 50W</b> NW3000LT

	Remodel Housing	New Construction Housing	Insulated Housing
HALOGENS	<b>MR16 GU 5.3 35W</b> IT3000CE IT3000CM  <b>MR16 GU 5.3 42W</b> IT3000E IT3000M  <b>MR16 GU 5.3 50W</b> IT3000LE IT3000LM  <b>GU10 50W</b> IT3000LT	<b>MR16 GU 5.3 50W</b> NW3000CE NW3000CM NW3000LE NW3000LM  <b>GU10 50W</b> NW3000LT	<b>MR16 GU 5.3 20W</b> ISMR3000E20 ISMR3000M20  <b>MR16 GU 5.3 35W</b> ISMR3000M35 ISMR3000E35  <b>MR16 GU 5.3 50W</b> ISMR3000M  <b>GU10 50W</b> ISMR3000T

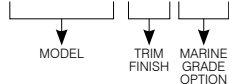


# T3200

3-1/2" Series

## CODIFICATION EXAMPLE

**T 3 2 0 0 - 0 1 M G**



## ORDERING CODE

MODEL	TRIM FINISH	MARINE GRADE
<b>T3200</b>		
T3200	<b>-01</b> White	<b>MG</b> (optional)
	<b>-02</b> Black	May be applied on finishes:
	<b>-03</b> Gold Plated 24K	-01, -02, -05, -06, -11 and -15
	<b>-04</b> Chrome	
	<b>-04BR</b> Brushed Chrome	
	<b>-05</b> Architectural Bronze	
	<b>-06</b> Antique Copper	
	<b>-11</b> Matte White	
	<b>-12BR</b> Brushed Nickel	
	<b>-13</b> Satin Nickel	
	<b>-15</b> Metallic Grey	
	<b>-17</b> Antique Nickel	

**MARINE GRADE** - Unless otherwise indicated, trims are for interior, cold and exterior locations where fixtures are not subject to direct rain or snow exposure as in soffits. MARINE GRADE treatment is recommended for exterior, shower and high salinity environment.

