



1718 W. Fullerton Ave  
Chicago, IL 60614  
Tel: 773-770-1195  
Fax: 773-935-5613  
www.edgelighting.com  
info@edgelighting.com

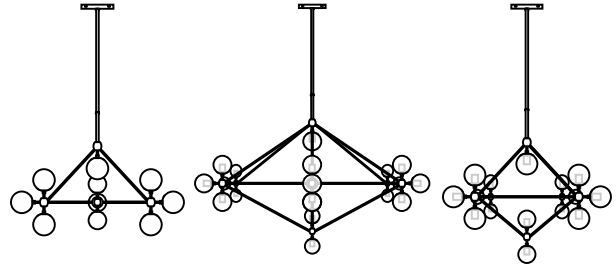
**BOLA-S-\_\_-\_\_-SM-BK**

## Installation Instructions for Bola Suspension

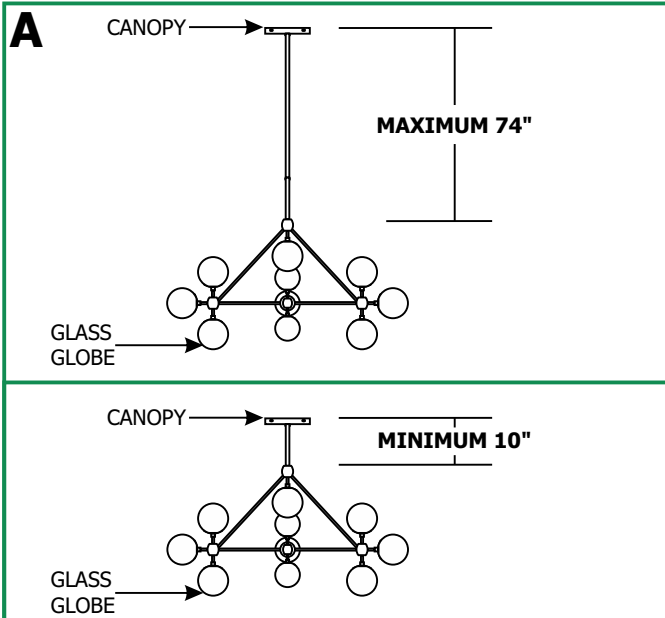
### IMPORTANT INFORMATION

- This product is ceiling mounted only.
- This product mounts to either a 4" square electrical box with round plaster ring or an octagon electrical box.

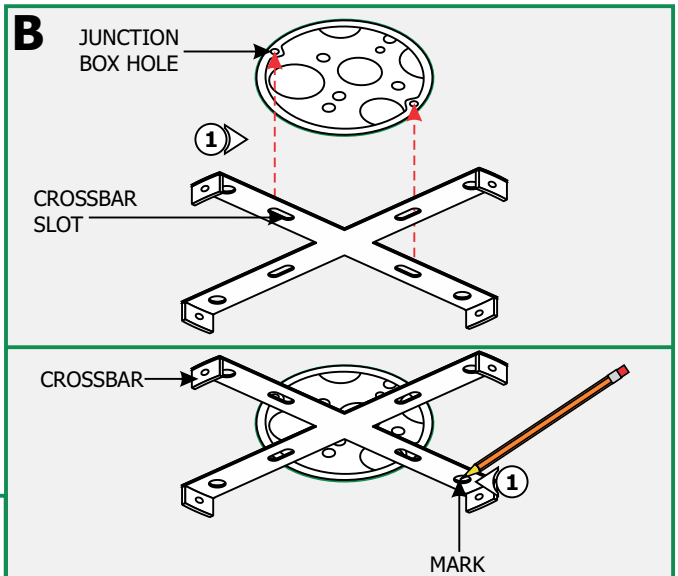
**SAVE THESE INSTRUCTIONS!**



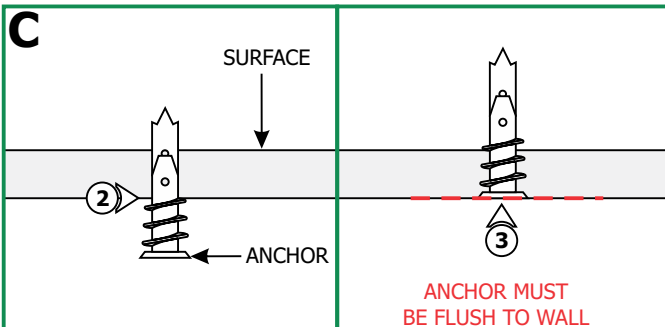
## Install the Fixture



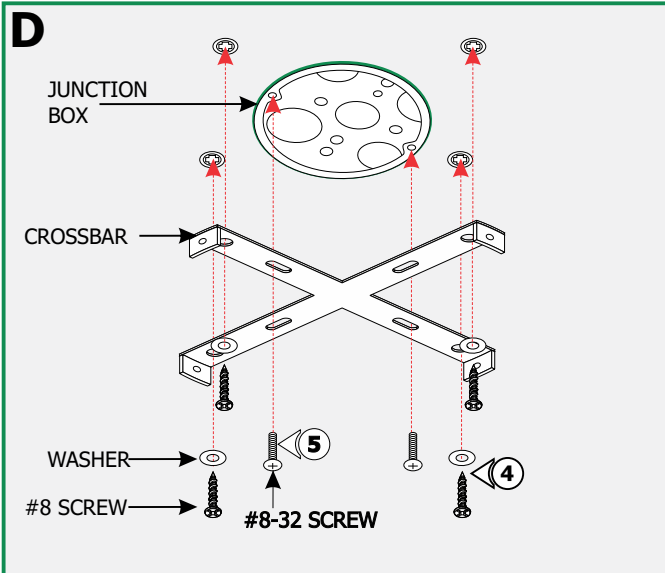
**NOTE:** Determine the desired overall fixture height using the 8" stem only or using additional combination of 20" and 12" stems for a maximum overall extension of 74".



**1:** Align the crossbar slots to the junction box holes, and then mark the four holes on the crossbar to the ceiling.



- 2:** Tap the anchors onto the marked points up to the threaded portion with a hammer.
- 3:** Screw in the threaded portion of the anchors with a Phillips screwdriver.



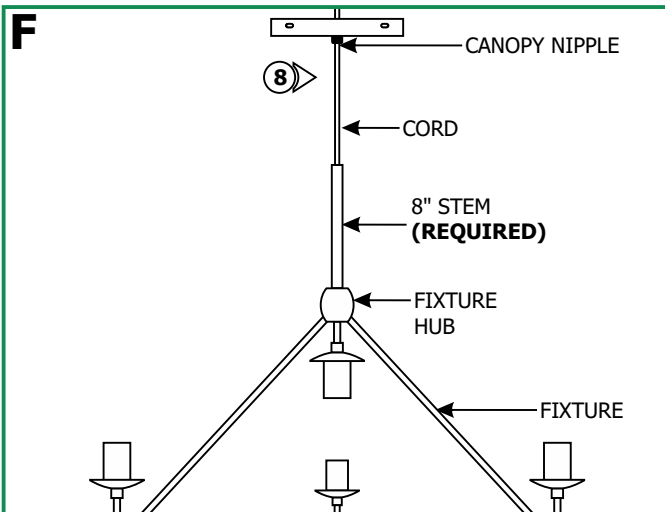
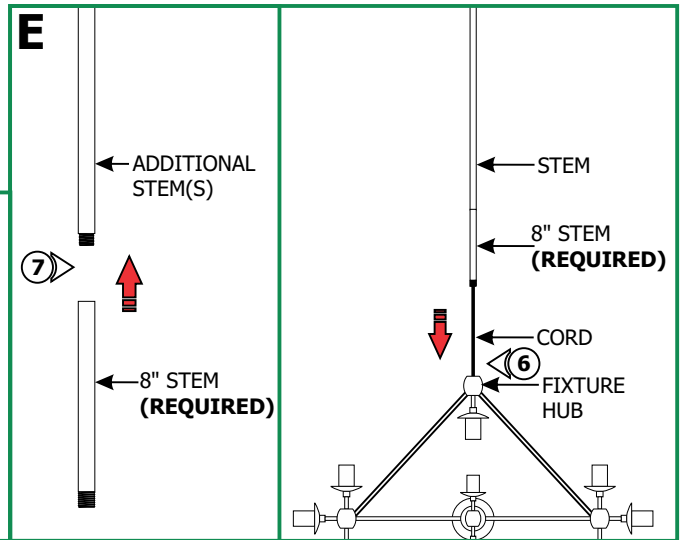
**4:** Line up the crossbar to the anchors and secure it by tightening the four #8 screws & washers.

**5:** Secure the crossbar to the junction box using the two #8-32 screws.

**WARNING:** To ensure the fixture does not fall after installation, the 8" stem **MUST** be securely screwed into the fixture hub before adding extension stems. Extension stems **DO NOT** attach to fixture hub.

**6:** Feed the fixture wires through the 8" stem (**required**) and completely tighten to the fixture hub.

**7: (OPTIONAL)** To extend the fixture height, feed the fixture wires through the additional stem(s) & tighten the additional stem(s) completely to the 8" stem.



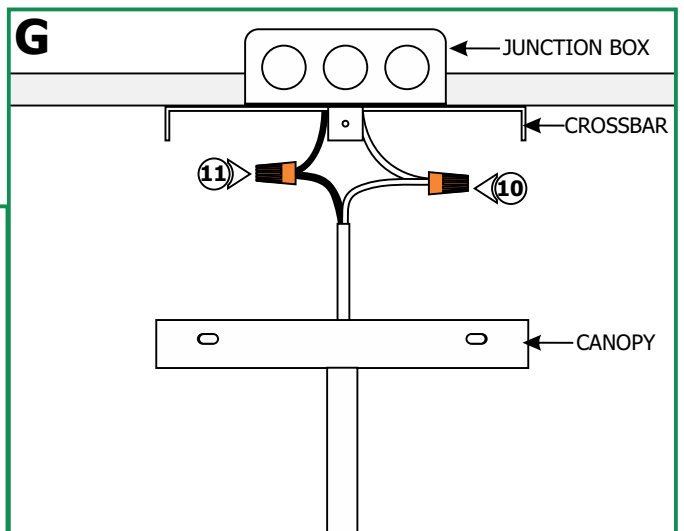
**8:** Feed the fixture cord into the canopy and secure the canopy to the stem by tightening the canopy nipple completely into the stem.

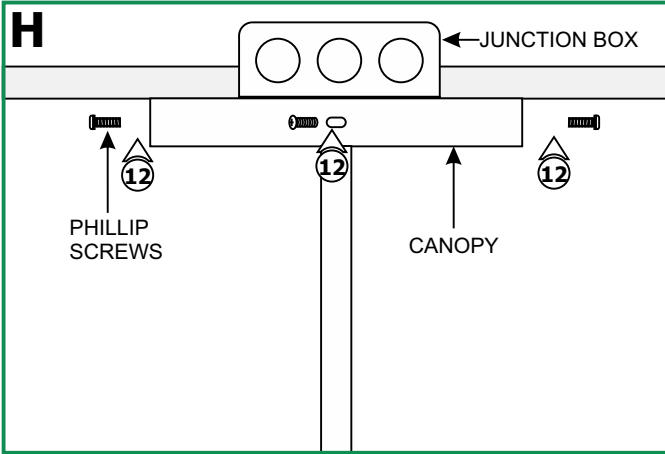
**NOTE:** It is recommended a second person hold the fixture while the electrician connects the power to the fixture.

**9:** Make sure that the canopy is grounded in accordance with local electrical codes.

**10:** Connect the fixture white wire to the neutral power wire with a wire nut.

**11:** Connect the fixture black wire to the hot power wire with a wire nut.



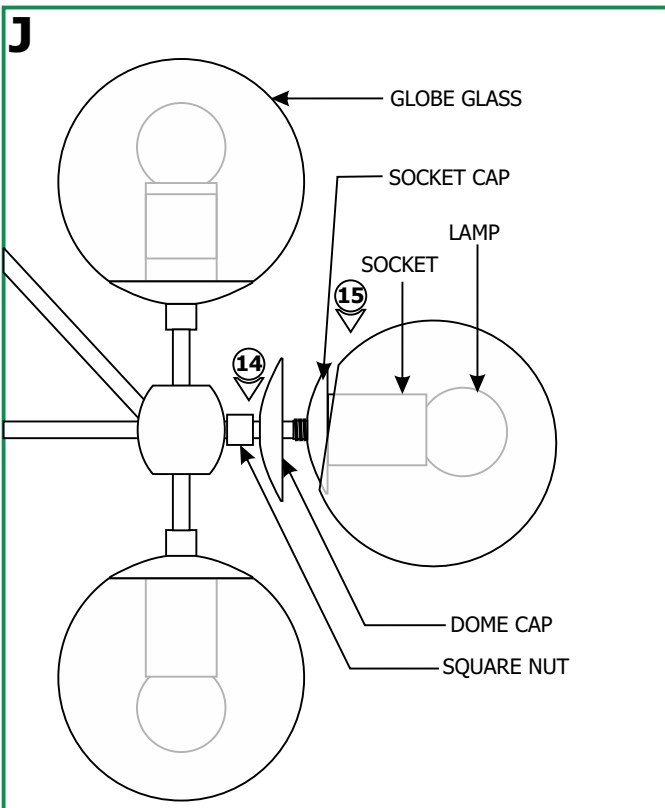
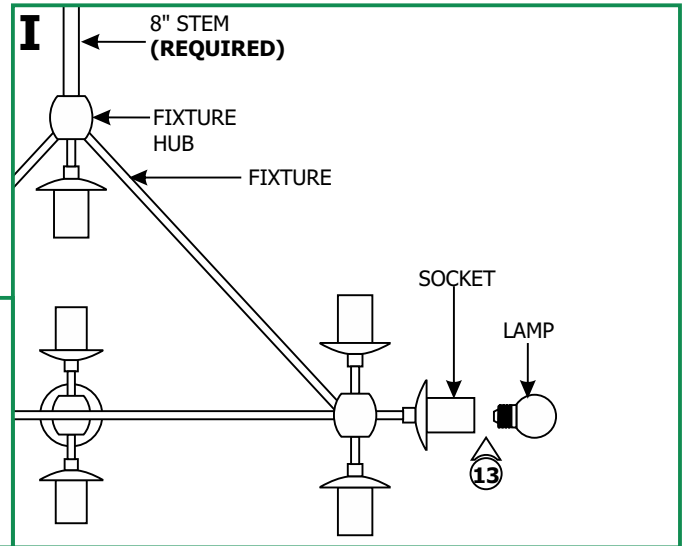


**12:** Place all wires and wire nut connections inside the canopy. Align and slide the canopy holes onto the crossbar, and secure it in place by replacing and tightening the Phillips screw.

**CAUTION:** To reduce risk of a burn or electrical shock during lamping, disconnect the power to the fixture.

Use **MAX 25** Watt Type G16.5 globe, E26 Base Lamp in each socket.

**13:** Screw each lamp completely into each socket.



**14:** Loosen the square nut and the dome cap.

**15:** Carefully twist the globe glass opening over the socket cap. Slide the dome cap back onto the globe glass and tighten the square nut to secure the glass in place.

**16:** Repeat steps 13 through 15 for the remaining globe glass.