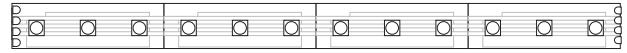


Installation Instructions for SS1 LED Soft Strip 1.4W/ft 24 Volt

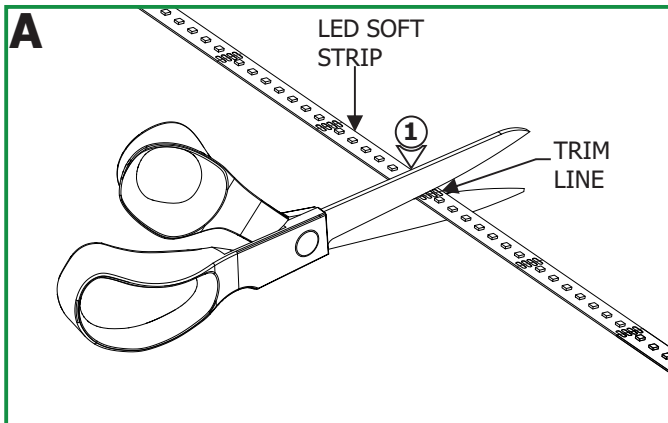
IMPORTANT INFORMATION

- This product is ETL listed for indoor locations.

SAVE THESE INSTRUCTIONS!



Section One: Prepare the LED Soft Strip

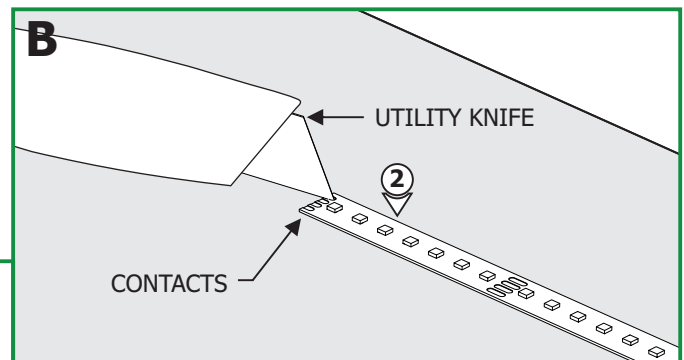


1: If necessary trim the LED strip at the marked line above the contact (every 4" apart) with a sharp scissor to fit the design.

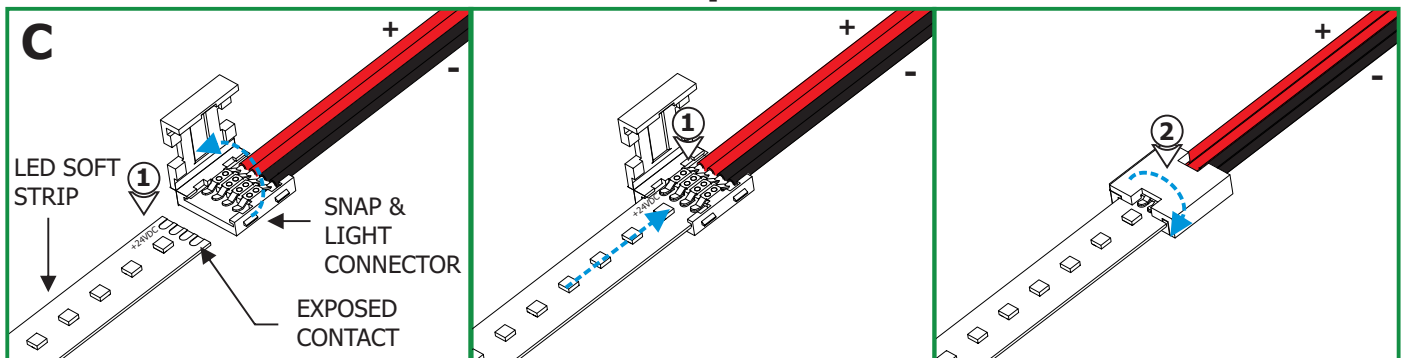
NOTE: Do not trim the strip over the sections that are joined together by soldering. The soldered contact will not connect to the Snap & Light connector easily.

NOTE: Do not trim the strip at unmarked sections which may cause that section of the strip not to light up.

2: Place the LED Soft Strip on a flat, stable surface. Using a utility knife, carefully scrape the protective coating from the contacts.



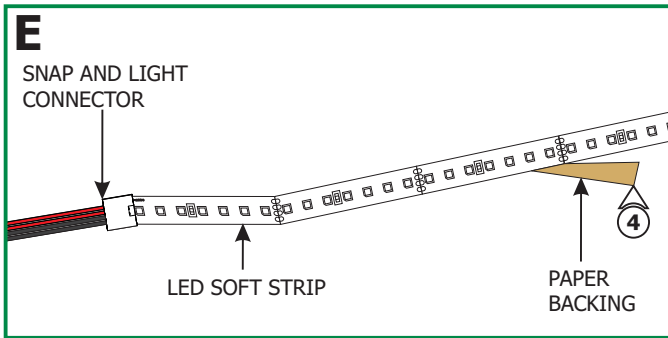
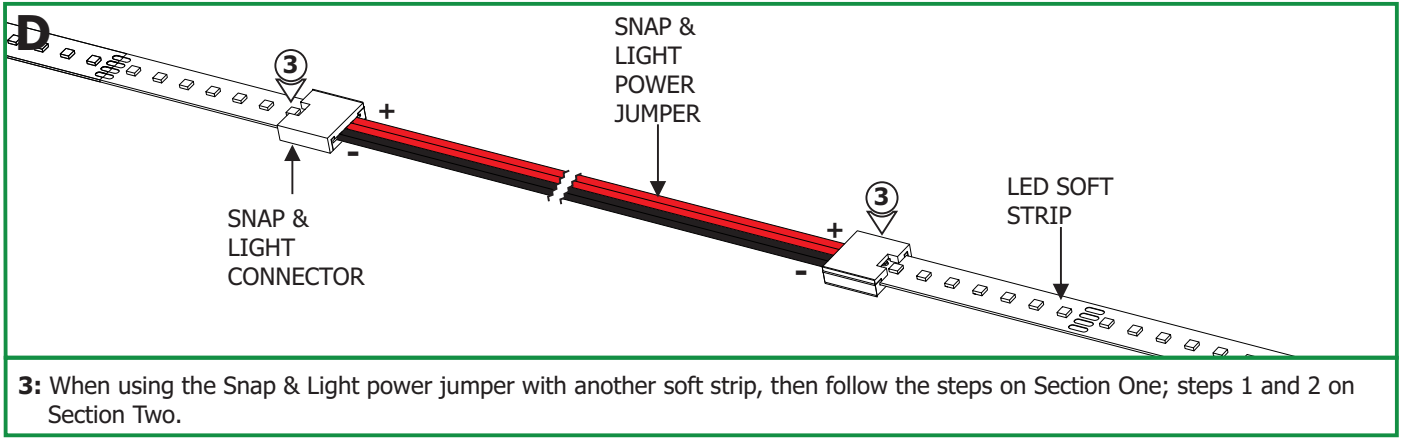
Section Two: Install the Soft Strip



NOTE: Aluminum heat sink tape (SS-HR-F) is sold separately to help dissipate heat generated by LEDs.

1: Align the +24VDC marking on the soft strip with the red wires of the Snap & Light connector. Insert the exposed contact at the end of the LED strip under the Snap & Light contacts ensuring that the strip contacts are aligned and covered under the connector contacts.

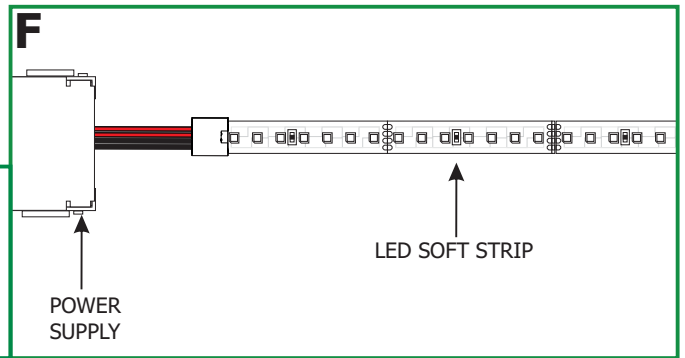
2: Close the Snap & Light cover and ensure it snaps securely into place.



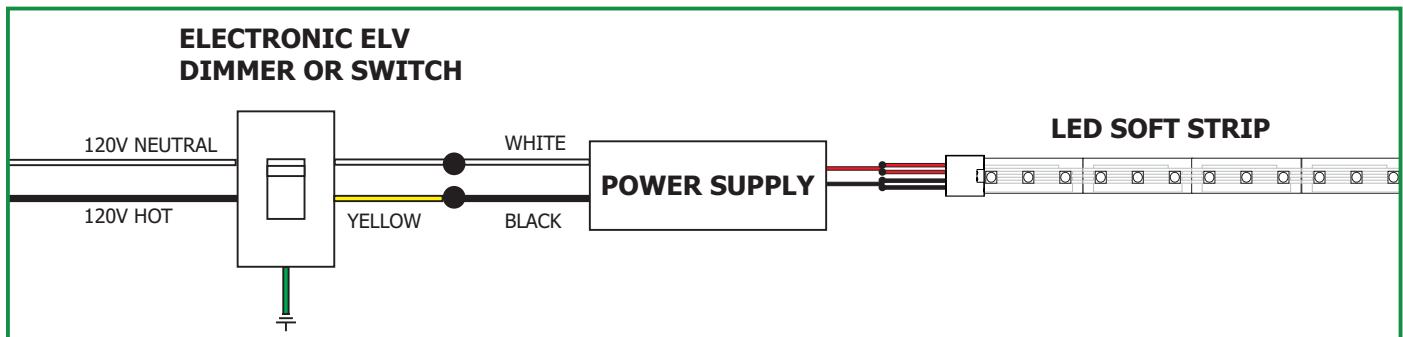
4: Carefully remove the backing from the LED soft strip, make sure not to remove the tape from the soft strip. Firmly press down the adhesive portion of the soft strip onto the mounting surface while removing the rest of the backing, making sure there are no air bubbles that can cause surface irregularities.

5: Trim the other end of the Snap & Light connector when it is used as the power cord. Refer to the wiring diagram below and the instructions provided with the power supply to complete the installation.

NOTE: SS1 soft strip consumes on average 1.4 Watt per foot.



Wiring Diagram



IMPORTANT INFORMATION REGARDING INSTALLATION AND REWORK OF SOFT STRIP LED

DO gently pull up and away from the soft strip if removing to reposition. This avoids damaging the strip.

DO NOT pull the strip back towards itself. Doing so risks damaging the strip and making it not function.

DO only ever use fingers to gently install soft strip to a surface **AFTER** cleaning the surface with alcohol.

DO NOT use any tool to install soft strip to a surface. This will damage the soft strip component.

Relocating Soft Strip (Optional)

G

REMOVE SOFT STRIP TO RELOCATE

SOFT STRIP

ADHESIVE TAPE

ADHESIVE TAPE

APPLY ADHESIVE REMOVER AND THEN BUFF OFF

1

ADHESIVE

ADHESIVE BACKING

2

BACK SIDE OF SOFT STRIP

NOTE: If relocating the installed soft strip, make sure that the adhesive tape on back of the soft strip covers the entire strip. The adhesive tape isolates the strip from the installation surface. Damaged or inconsistent adhesive tape may cause the contacts on the back of the strip to come in contact with the conductive heat sink which will cause the strip to short and burn. Call Edge Lighting to get replacement adhesive tape and/or optional aluminum heat sink tape (SS-HR-F)

- 1:** To remove tape residue from back of the strip, apply WD-40, Goo Gone, or a mixture of warm water and lemon oil to the corner of a clean, dry towel. Gently buff the area containing the adhesive residue until it is completely removed.
- 2:** Gently remove a few inches of the from one side of the tape backing. Attach the adhesive tape to the back of the soft strip and apply moderate pressure to affix the tape. Continue this step a few inches at the time until the entire adhesive tape is attached to back of the soft strip.
- 3:** Refer to the steps on 1 through 5 to reinstall the soft strip.