

SS1 SOFT STRIP 1.4W 24VDC LOW OUTPUT, ECONOMY GRADE (75+CRI)

REV.09.03.15



SS1-24V-_-WW

Description:

Soft Strip (SS1) provides accent light with warm white or very warm white LEDs. At less than a 3/8" wide, the flexible copper strip, with an optically clear protective coating, is sold in 1 foot increments up to 40 feet. Includes easy plug-in connectors on each end and 6 ft power feed cable. For custom lengths, smaller segments are available in 4 inch increments (sold separately). Use plug-in flexible connectors for making turns and custom configurations. At only 1.4 system watts per foot, this economical system uses an electronic low-voltage or 0-10V power supply (sold separately). Self-adhering SS1 mounts to most smooth finished surfaces with industrial strength 3M tape (provided on back of strip); some unfinished surfaces may require screw-in mounting clips (sold separately). Designed for indoor/damp locations. Fixtures include a 5 year warranty.

Applications:

Indoor/Damp Location - Inside cabinet, wine cellar, steps, behind mirrors, handrails, inside drawers, niches and toe kicks. ETL listed to conform to UL 2108 for closet and under-cabinet applications

Lamp:

18 warm white (3000K) or very warm white (2700K) LEDs per foot, 75+ CRI

Warm White: 124 lumens per foot

LED lamps consume 1.4 watts per foot at 24VDC

87 lumens per watt

Average Lamp Life:

32,000 hours

Power Supply (24VDC):

PSB-96W-010-24VDC 120-277VAC input, 96 watt output

PSB-2X96W-010-24VDC 120-277VAC input, 2x96 watt output

PSB-3X96W-010-24VDC 120-277VAC input, 3x96 watt output

PSB-4X96W-010-24VDC 120-277VAC input, 4x96 watt output

PSB-60W-ELV-24VDC 120VAC input, 60 watt output

PSB-100W-ELV-24VDC 120VAC input, 96 watt output

PSB-2X100W-ELV-24VDC 120VAC input, 2x96 watt output

PSB-3X100W-ELV-24VDC 120VAC input, 3x96 watt output

PSB-4x100W-ELV-24VDC 120VAC input, 4x96 watt output

Dimming:

010 power supplies use 0-10V dimmer: Philips Sunrise SR1200ZTUNV.

ELV power supplies use ELV dimmer: Legrand, Adorne ADTP703TU;

Lutron: Diva DVELV-300P, Skylark SELV-300P, Maestro MAELV-600 and Radio Ra 2

Mounting Straps & Clips:

SS-SU

Use U-Strap every 6 to 12 inches for extra support (30 per package).

SS-ST

Use Tie Strap every 6 to 12 inches for extra support (30 per package).

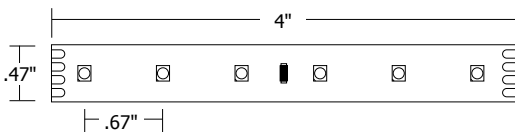
SS1-MCL

Mounts beneath strip, snapping strip in place for additional support (10 per package).

Maximum Length Before Rereeding: 40 Ft*

LENGTH IN FEET	TOTAL WATTAGE	LENGTH IN FEET	TOTAL WATTAGE
1	2	21	30
2	3	22	31
3	5	23	33
4	6	24	34
5	7	25	35
6	9	26	37
7	10	27	38
8	12	28	40
9	13	29	41
10	14	30	42
11	16	31	44
12	17	32	45
13	19	33	47
14	20	34	48
15	21	35	49
16	23	36	51
17	24	37	52
18	26	38	54
19	27	39	55
20	28	40	56

*32 Ft maximum when used with PSB-60W-ELV-24VDC



System	Voltage	Length	Color Temperature	System	Voltage	Length in Feet	Color Temperature
SS1	24V	4IN	WW	SS1	24V	40	WW
SS1 Soft Strip 1.4W per Ft	24V 24 Volt	4IN 4 Inch	WW Warm White (3,000K) VW Very Warm White (2,700K)	SS1 Soft Strip 1.4W per Ft	24V 24 Volt	Sold in 1 ft increments up to 40ft (Example 40=40)	WW Warm White (3,000K) VW Very Warm White (2,700K)

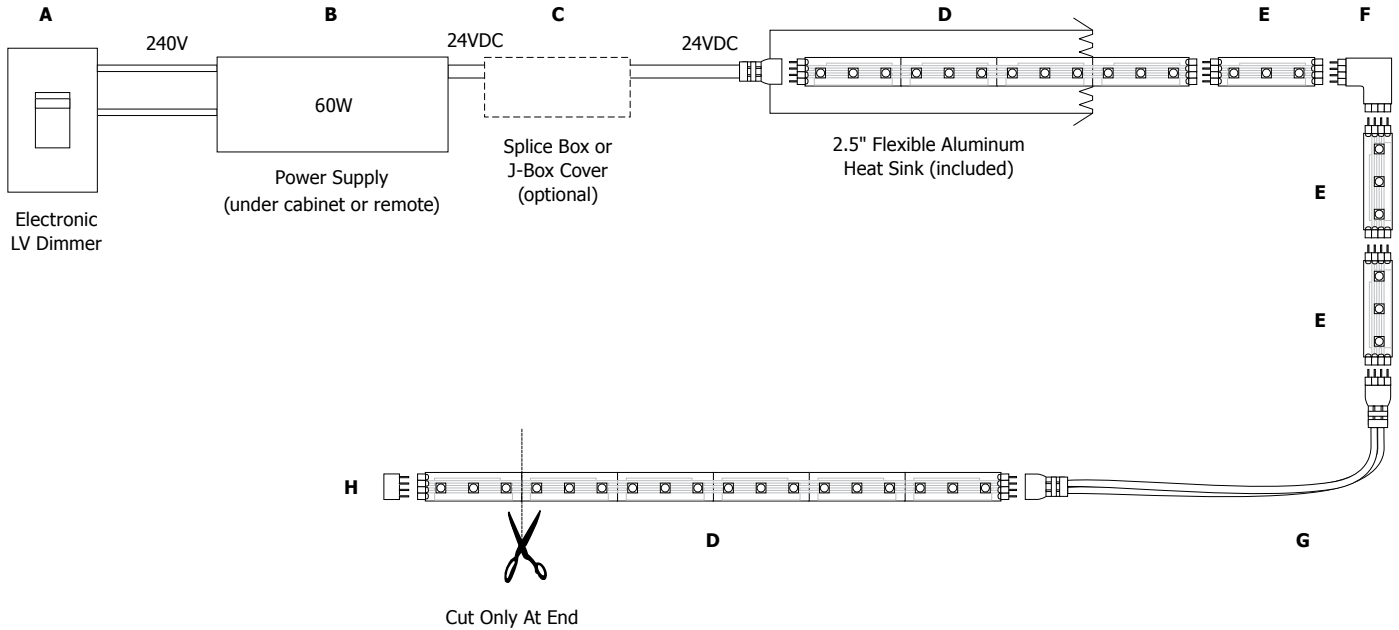
PROJECT:

FIXTURE TYPE:

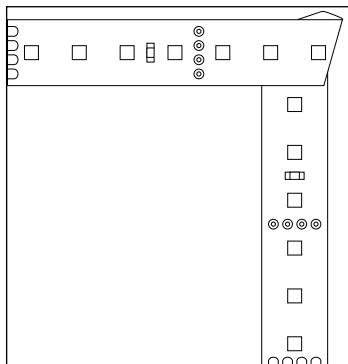
DATE:



- Application:** Electronic low-voltage dimming for SS1 Soft Strip
- Power Supply:** PSB-60W-ELV-24VDC: 120VAC input, 24VDC 60 watt output
- Dimming:** Dimmable with low voltage electronic dimmer using power supply above. See power supply spec sheet for additional details. Lutron: Diva DVELV-300P; Skylark SELV-300P; Maestro MAELV-600 dimmers are recommended



STRIP **DOES NOT** BEND 90°

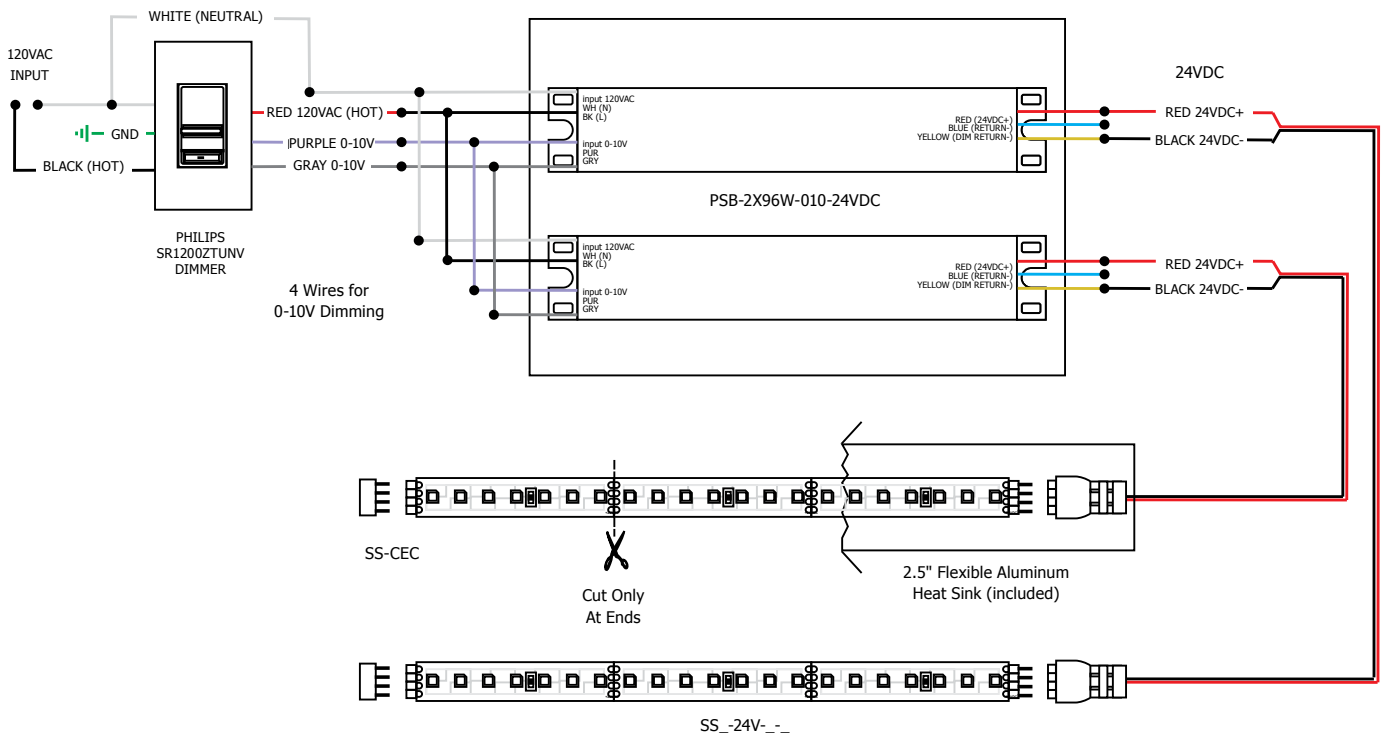
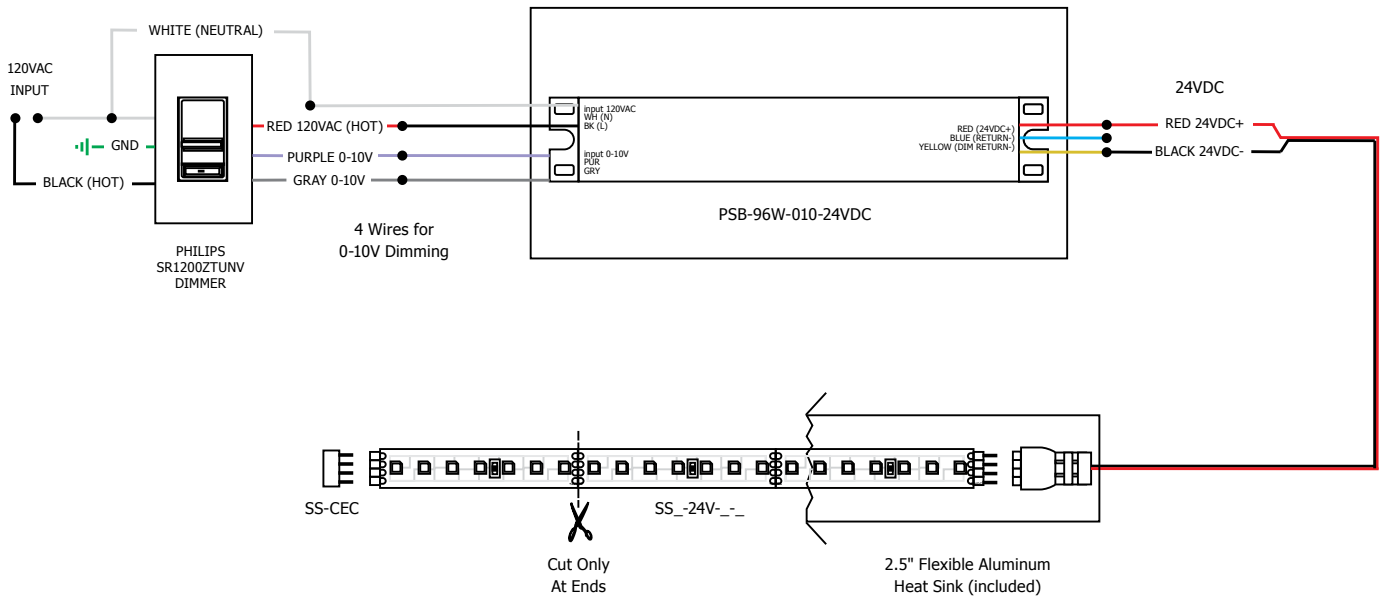


- A. Lutron Dimmers
Diva **DVELV-300P** or Skylark **SELV-300P**
- B. 60W 24VDC Power Supply
PSB-60W-ELV-24VDC
- C. Splice Box or Junction Box Cover (optional)
- D. Soft Strip, WW or VW
SS1-24V-_-_-
sold by the foot; up to 40 ft w/ plug-in connector on each end
- E. Soft Strip, WW or VW
SS1-24V-4IN -_-
4 inch segment
- F. L-Connector
SS-CL
- G. Flexible Connector
SS-CFX-_-
3, 6, 12, 36, 96 or 144"
- H. End Cap Connector
SS-CEC

Application: 0-10V dimming for SS1 Soft Strip

Power Supply: Class 2, 24VDC output: 120-277VAC input, 96 watt output PSB-96W-010-24VDC;
120-277VAC input, 192 watt output PSB-2X96W-010-24VDC

Dimming: Dimmable with 0-10V dimmer using power supply above. See power supply spec sheet for additional details. Philips Sunrise SR1200ZTUNV, 0-10V dimmer recommended.



PROJECT:

FIXTURE TYPE:

DATE:

