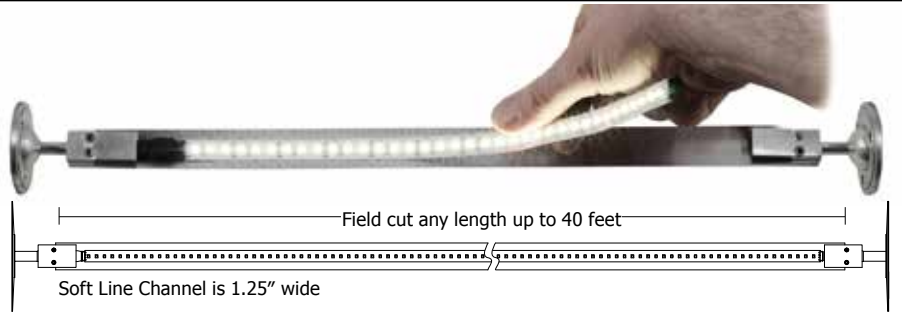
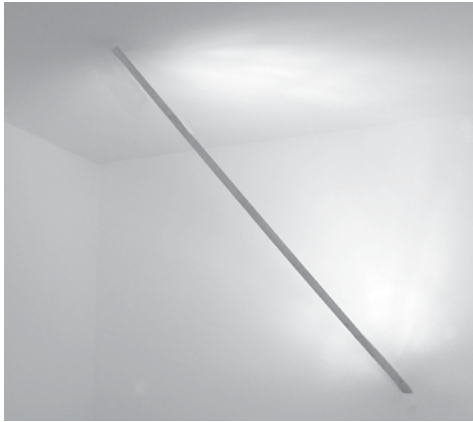


SOFT LINE INDIRECT LED LIGHTING SYSTEM, FEATURING SOFT STRIP

REV.07.20.15



Description:

Soft Line Indirect LED Lighting System provides soft ambient illumination for decorative and architectural applications. The suspended aluminum channel is available with commercial-grade white (SS2C) or RGB Soft Strip, or with a combination of both. For compact shipment and storage, Soft Line coils like a retractable tape measure. When uncoiled, Soft Line becomes a 1.25" wide cupped, rigid channel that spans opposing walls, ceiling or floor surfaces. The field-cutttable channel allows custom lengths up to 40 feet. The cupped aluminum form contributes to the luminaire's structural rigidity, acts as a heat sink and shields system components from view. Adjustable turnbuckles support Soft Line, creating a 3-dimensional look that is as functional as it is visually interesting. Fixtures include a 5 year warranty

Applications:

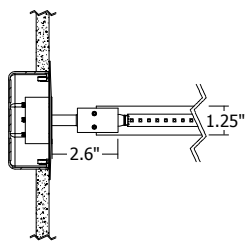
Wherever an indirect light source can be used, including: indoor, kitchens, homes, offices, retail, hotels, clubs, displays, media room and conference rooms.

LED Soft Strip

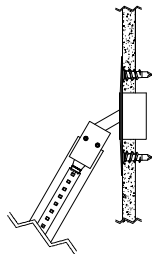
Version	Watts per Foot	Lumens per Foot		85+CRI 24K, 35K, 40K, 57K	95+CRI 27K, 30K	50,000 Hour Lamp Life
		84	289*			
SL	2.5W	84	289*	●	●	●
SLD	5W	168	578**	●	●	●

Lumen values are based on the 3000K LED test.
 * SL provides 34 footcandles at desktop when mounted 1ft from 9 ft ceiling at 4 ft on center.
 **SLD provides 68 footcandles at desktop when mounted 1ft from 9 ft ceiling at 4 ft on center.

Power Feed Turnbuckle Included with SLT-SA



Non-Power Feed Turnbuckle Included with SLT-SA



Soft Line Turnbuckles (included)



Soft Line Channel (included)



Soft Line Standoff

Power Supply (24VDC):

- PSB-60W-ELV-24VDC** 120VAC input, 60 watt output
- PSB-96W-010-24VDC** 120-277VAC input, 96 watt output
- PSB-100W-ELV-24VDC** 120VAC input, 96 watt output
- PSB-2X96W-010-24VDC** 120-277VAC input, 2x96 watt output
- PSB-2X100W-ELV-24VDC** 120VAC input, 2x96 watt output

Dimming:

010 power supplies use 0-10V dimmer: Philips Sunrise SR1200ZTUNV.
 ELV power supplies use ELV dimmer: Legrand, Adorne ADTP703TU;
 Lutron: Diva DVELV-300P, Skylark SELV-300P, Maestro MAELV-600 and Radio Ra 2

Power Feed & Non-Power Feed Turnbuckles (included):

Turnbuckles support Soft Line on any angle from 0-60 degrees, feed power from one end and mount to standard 4" square electrical junction box with round plaster ring. Turnbuckles may be reversed and mounted (opposite the power feed) to a ceiling, wall or floor.

Soft Line Standoff (sold separately):

The field-cutttable 24" long standoff provides additional mounting options on opposing wall, ceiling or floor surfaces. Stem may be cut down to 4".

Product	Length	Finish
SLS	24	SA
SLS Soft Line Standoff	24 24"	SA Satin Aluminum

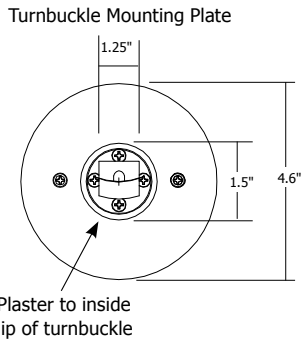
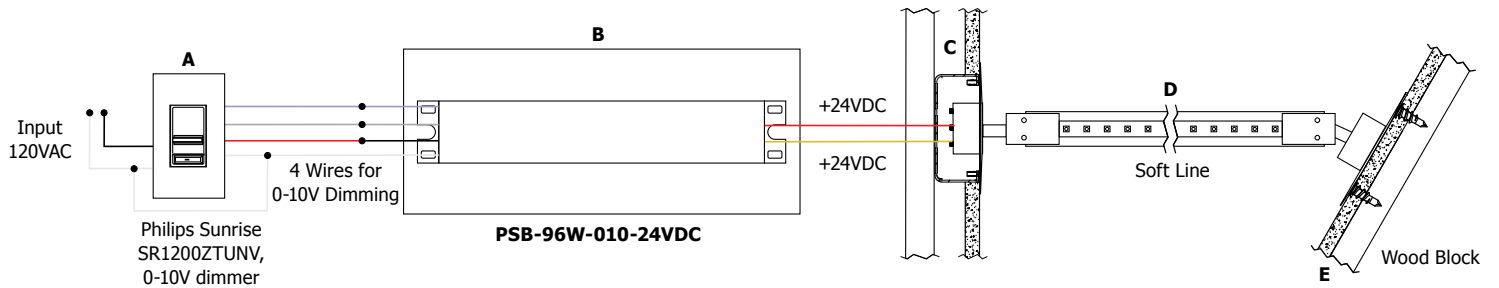
Product	Voltage	Length in Feet	Color Temperature	Finish	
SL	24V	FT	30K	SA	
SL Soft Line with Single Row of Soft Strip	24V 24 Volt	10 10 Feet 15 15 Feet 20 20 Feet 25 25 Feet	30 30 Feet 35 35 Feet 40 40 Feet	24K 2400K Amber White 27K 2700K Very Warm White 30K 3000K Warm White 35K 3500K Neutral White 40K 4000K Cool White 57K 5700K Daylight White	SA Satin Aluminum

PROJECT: _____ FIXTURE TYPE: _____ DATE: _____



SOFT LINE INDIRECT LED LIGHTING SYSTEM, FEATURING SOFT STRIP

REV.07.20.15



- A. Wall mounted dimmer or controller
- B. Power Supply
- C. Power Feed Turnbuckle
- D. Soft Line Channel
- E. Non-power Feed Turnbuckle

PROJECT:

FIXTURE
TYPE:

DATE:

EDGE
LIGHTING