

MCL-090

**Description:**

Micro Grazer Light Channel LED features 24 volt commercial-grade LEDs included inside a slim, paintable aluminum extrusion. The asymmetrical 10 degree lens is ideal for creating dramatic grazing effects. Sold in 12 inch increments up to 120 inches. May be ordered in 3, 5, 8 or 10 inch increments. Mounting clips provided with each 2 foot section. Fixtures can be linked end-to-end with plug-in or flexible connectors for a maximum length of 12 feet. Each foot of Light Channel contains 85+ or 95+CRI LEDs with excellent color rendering. System is powered by a dimmable, remote power supply. Includes 8 foot power feed cable. Fixtures include a 5 year warranty.

**Applications:**

Indoor Only - Highlight textured vertical surfaces like brick or stone walls, sheer curtains or edge lit glass

**Lamp:**

Version	Watts per Foot	Lumens per Watt	Lumens per Foot	85+CRI 24K, 35K, 40K, 57K	95+CRI 27K, 30K	Lamp Life Hours
LCMG7 27K	7	51	367	●	●	50,000
LCMG7 30K	7	56	382	●	●	50,000
LCMG5 27K	4.4	52	227	●	●	50,000
LCMG5 30K	4.4	59	233	●	●	50,000

**LCMG7 Warm White (4ft) with 10° Clear Lens**

Distance	Foot Candles
12in	742
24in	319
36in	179
48in	114

**LCMG5 Warm White (4ft) with 10° Clear Lens**

Distance	Foot Candles
12in	456
24in	160
36in	75
48in	40

**24VDC Power Supply (Sold Separately):**

- PSB-96W-010-24VDC** 120-277VAC input, 96 watt output
- PSB-2X96W-010-24VDC** 120-277VAC input, 2x96 watt output
- PSB-3x96W-010-24VDC** 120-277VAC input, 3x96 watt output
- PSB-4x96W-010-24VDC** 120-277VAC input, 4x96 watt output
- PSB-60W-ELV-24VDC** 120VAC input, 60 watt output
- PSB-100W-ELV-24VDC** 120VAC input, 96 watt output
- PSB-2X100W-ELV-24VDC** 120VAC input, 2x96 watt output
- PSB-3x100W-ELV-24VDC** 120VAC input, 3x96 watt output
- PSB-4x100W-ELV-24VDC** 120VAC input, 4x96 watt output

**Dimming:**

010 power supplies use 0-10V dimmer: Philips Sunrise SR1200ZTUNV.  
 ELV power supplies use ELV dimmer: Legrand, Adorne ADTP703TU;  
 Lutron: Diva DVELV-300P, Skylark SELV-300P, Maestro MAELV-600 and Radio Ra

Product	Voltage	Length in Inches	Color Temperature	Finish	Options
<b>LCMG7</b>	<b>24V</b>	<b>120IN</b>	<b>30K</b>	<b>SA</b>	Standard (leave blank)
<small>LCMG7 Light Channel Micro Grazer 7W</small>	<small>24V 24 Volt DC</small>	<small>12-120 Order in 12 inch increments up to 120 inches. May be ordered in 3, 5, 8 or 10 inch increments</small>	<small>24K 2400K Amber White 27K 2700K Very Warm White 30K 3000K Warm White 35K 3500K Neutral White 40K 4000K Cool White 57K 5700K Daylight White</small>	<small>SA Satin Aluminum Custom Finishes Available</small>	<small>W Wet Location</small>
<small>LCMG5 Light Channel Micro Grazer 4.4W</small>					

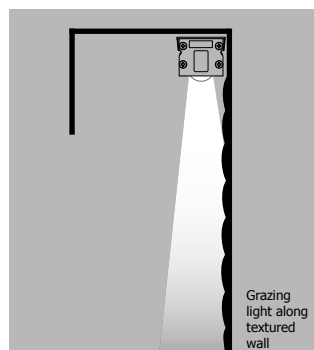
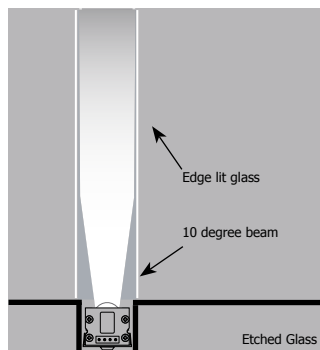
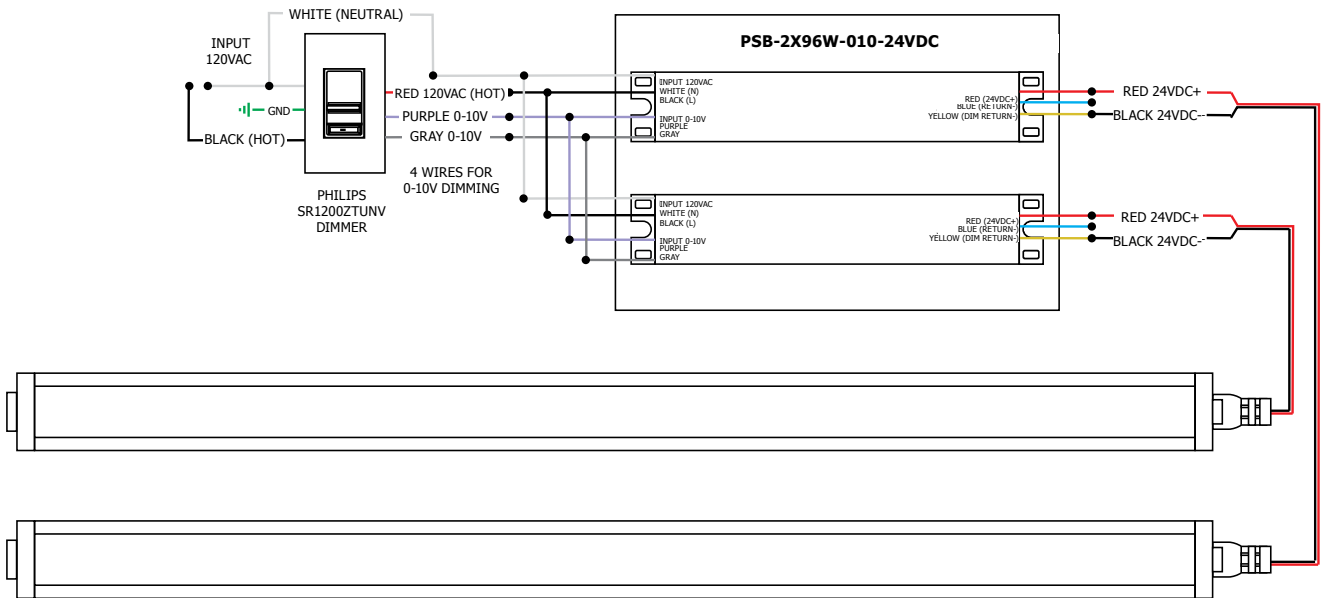
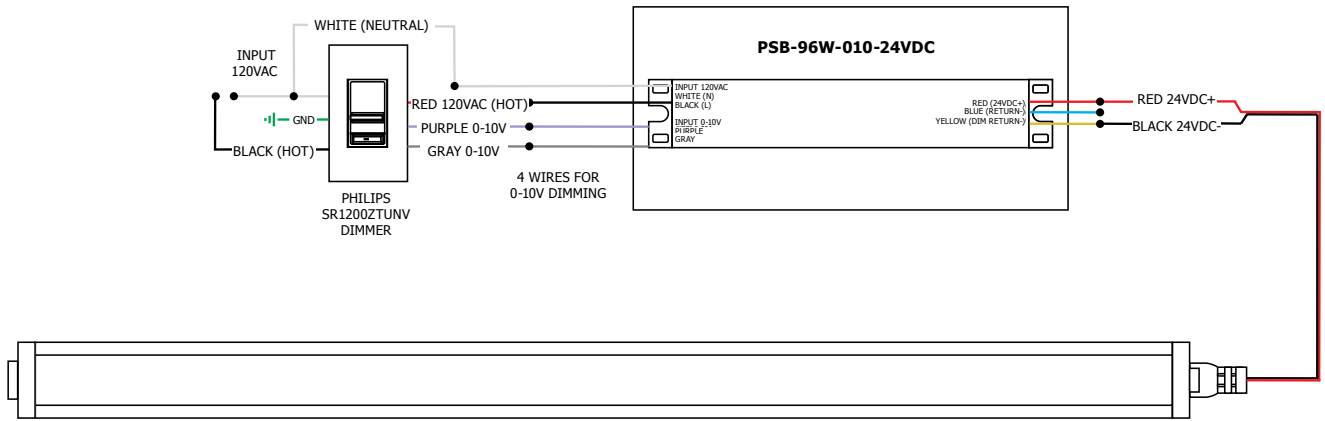


PROJECT: \_\_\_\_\_ FIXTURE TYPE: \_\_\_\_\_ DATE: \_\_\_\_\_

**Application:** 0-10V dimming for Micro Grazer Light Channel

**Power Supply:** Class 2, 24VDC output: 120-277VAC input, 96 watt output PSB-96W-010-24VDC;  
120-277VAC input, 192 watt output PSB-2X96W-010-24VDC

**Dimming:** Dimmable with 0-10V dimmer using power supply above. See power supply spec sheet for additional details. Philips Sunrise SR1200ZTUNV, 0-10V dimmer recommended.



PROJECT:

FIXTURE  
TYPE:

DATE:



# MICRO GRAZER LIGHT CHANNEL

REV.12.09.15

Please refer to chart below for exact lengths of the Micro Grazer Light Channel

ORDERING CODE	LENGTH (INCHES)
3IN	3.34
5IN	5.74
8IN	8.14
10IN	10.54
12IN	12.94
15IN	15.34
17IN	17.74
20IN	20.14
22IN	22.54
24IN	24.94
27IN	27.34
29IN	29.74
32IN	32.14
34IN	34.54
36IN	36.94
39IN	39.34
41IN	41.74
44IN	44.14
46IN	46.54
48IN	48.94
51IN	51.34
53IN	53.74
56IN	56.14
58IN	58.54
60IN	60.94

ORDERING CODE	LENGTH (INCHES)
63IN	63.34
65IN	65.74
68IN	68.14
70IN	70.54
72IN	72.94
75IN	75.34
77IN	77.74
80IN	80.14
82IN	82.54
84IN	84.94
87IN	87.34
89IN	89.74
92IN	92.14
94IN	94.54
96IN	96.91
99IN	99.34
101IN	101.74
104IN	104.14
106IN	106.54
108IN	108.94
111IN	111.34
113IN	113.74
116IN	116.14
118IN	118.54
120IN	120.94

PROJECT:

FIXTURE  
TYPE:

DATE:

