

Description:

Micro Grazer Light Channel LED features 24 volt RGB LEDs inside a slim, paintable aluminum extrusion. The asymmetrical, 10 degree lens is ideal for creating dramatic grazing effects. System is sold in 12 inch increments up to 120 inches. May be ordered in 4 inch increments. Mounting clips provided with each 2 foot section. Fixtures can be linked end-to-end with plug-in or flexible connectors to a maximum length of 36 feet. The system can be controlled with any DMX compatible controller using a 24 volt DC power supply in combination with an RGB DMX dimming module. Includes 8 foot power feed cable. Fixtures include a 5 year warranty.

Applications:

Indoor Only - Highlight textured vertical surfaces, brick or stone walls, sheer curtains and edge lit glass

Lamp:

18 RGB LEDs per foot
 LED lamps consume 2.6 watts per foot

Average Lamp Life:

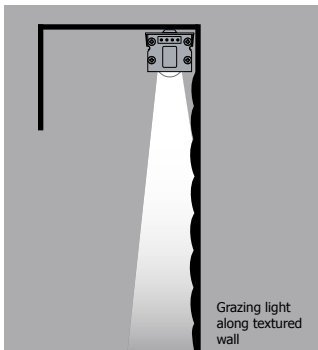
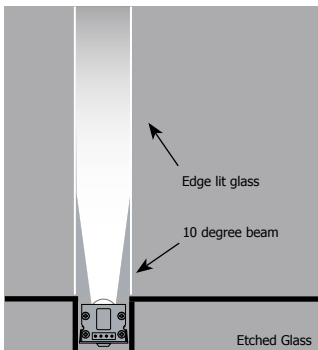
32,000 hours

Controller:

Touch Screen Controller with Power Supply **CTP**
 Controller Dial with Power Supply **CDP**

Remote RGB Power Supply with DMX Driver:

100W- 24VDC **PSB-100W-24VDC-RGB**
 200W- 24VDC **PSB-200W-24VDC-RGB**
 400W- 24VDC **PSB-400W-24VDC-RGB**



| Product | Voltage | Length in Inches | Color Temperature | Finish | Options |
|--|------------------------------|---|---------------------------------------|--|---|
| LCMG LCMG Light Channel Micro Grazer | 24V 24V 24 Volt DC | 120IN 12-120 Order in 12 inch increments up to 120 inches May be ordered in 4 inch increments | RGB RGB Red, Green and Blue | SA SA Satin Aluminum Custom Finishes Available | Standard (leave blank) W Wet Location |

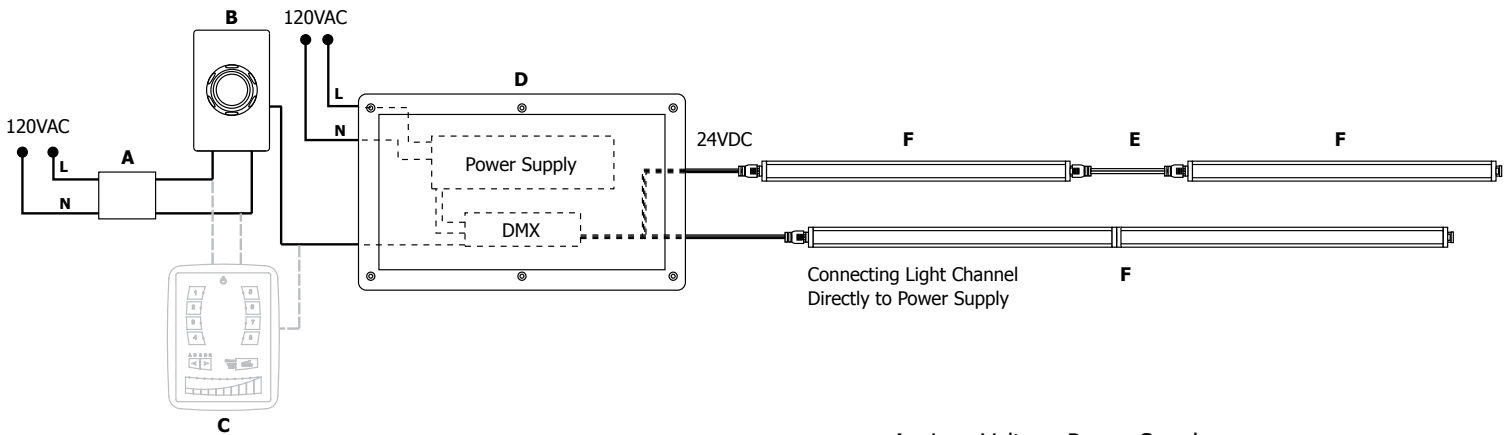


MICRO GRAZER LIGHT CHANNEL 2.6W 24VDC RGB

REV.04.21.15

Application: DMX Control options Micro Grazer Light Channel RGB

Power Supply with DMX Drivers:
100 Watt, 120 Volt Input, 24 Volt DC Output PSB-100W-24VDC-RGB
200 Watt, 120 Volt Input, 24 Volt DC Output PSB-200W-24VDC-RGB
400 Watt, 120 Volt Input, 24 Volt DC Output PSB-400W-24VDC-RGB



- A. Low-Voltage Power Supply (included with CDP and CTP)
- B. Controller Dial with Power Supply **CDP**
- C. Touch Screen Controller **CTP**
- D. 24VDC Power Supply with DMX controlled driver **PSB- _W-24VDC-RGB**
- E. Flexible connector, order to length 3"-144"
LC-CFX- _-RGB
- F. Micro Grazer Light Channel
LCMG-24DC- _IN-RGB-SA

PROJECT:

FIXTURE
TYPE:

DATE:

EDGE
LIGHTING

Please refer to chart below for exact lengths of the Micro Grazer Light Channel RGB

| ORDERING CODE | LENGTH (INCHES) |
|---------------|-----------------|
| 4IN | 4.94 |
| 8IN | 8.94 |
| 12IN | 12.94 |
| 16IN | 16.94 |
| 20IN | 20.94 |
| 24IN | 24.94 |
| 28IN | 28.94 |
| 32IN | 32.94 |
| 36IN | 36.94 |
| 40IN | 40.94 |
| 44IN | 44.94 |
| 48IN | 48.94 |
| 52IN | 52.94 |
| 56IN | 56.94 |
| 60IN | 60.94 |
| 64IN | 64.94 |
| 68IN | 68.94 |
| 72IN | 72.94 |
| 76IN | 76.94 |
| 80IN | 80.94 |
| 84IN | 84.94 |
| 88IN | 88.94 |
| 92IN | 92.94 |
| 96IN | 96.94 |
| 100IN | 100.94 |
| 104IN | 104.94 |
| 108IN | 108.94 |
| 112IN | 112.94 |
| 116IN | 116.94 |
| 120IN | 120.94 |

PROJECT:

FIXTURE
TYPE:

DATE:

