

Description:

Cirrus Channel D1 features a direct 1" flat linear lens with 100 degree beam spread. At 2.5 or 5 watts per foot, the 24 volt DC channel contains 85+ or 95+CRI LEDs. It includes a split canopy that mounts on standard junction box. May be ordered with a Slim Profile Channel Junction Box (C-1RE-JBOX). Mounting clips are provided every 18 inches. Cirrus is powered by a Class 2 remote power supply up to 40 feet away. Available from 12 inches to 240 inches/20 feet (5WDC) or to 480 inches/40 feet (2WDC). May be ordered in 3, 5, 8 or 10 inch increments (see page 4 of spec sheet for exact dimensions). Lengths greater than 120 inches will ship as two or more segments that join together. Fixtures include a 5 year warranty.

Finishes:

Satin Nickel, Chrome, Antique Bronze, Satin Aluminum, White and Satin Black; Custom finishes available

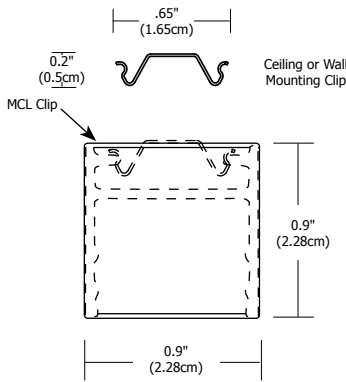
Applications:

Architectural lighting, general lighting, retail and outdoor IP64 applications

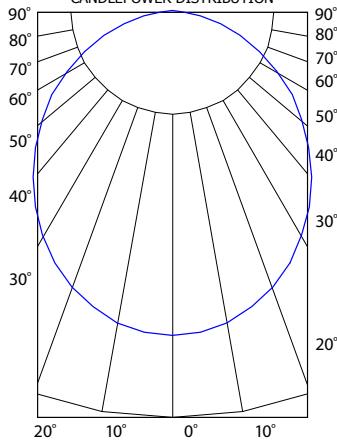
Lamp:

| Version | Watts per Foot | Lumens per Watt | Lumens per Foot | 85+CRI 24K, 35K, 40K, 57K | 95+CRI 27K, 30K | 50,000 Hour Lamp Life |
|---------|----------------|-----------------|-----------------|------------------------------|--------------------|-----------------------|
| 2WDC | 2.5 | | | • | • | • |
| 5WDC | 5 | 47 | 235 | • | • | • |

Lumen values are based on the 3000K LED test.



CIRRUS 100 DEGREE LENS
CANDLEPOWER DISTRIBUTION



Power Supply (24VDC):

- PSB-25W-010-24VDC** 120VAC input, 25 watt output
- PSB-60W-ELV-24VDC** 120VAC input, 60 watt output
- PSB-96W-010-24VDC** 120-277VAC input, 96 watt output
- PSB-100W-ELV-24VDC** 120VAC input, 96 watt output
- PSB-2X96W-010-24VDC** 120-277VAC input, 2x96 watt output
- PSB-2X100W-ELV-24VDC** 120VAC input, 2x96 watt output

Slim-Profile Junction Box (sold separately):

The Slim-Profile Junction Box with hanger bars mounts to studs spaced between 14.5" - 25" apart behind drywall. Allows low voltage DC wires from remote power supply to connect to channel wires. Junction box opening is covered by the fixture for a clean, safe connection. Includes a goof plate, for poor plastering around j-box, which may be plastered and painted.

Dimming:

010 power supplies use 0-10V dimmer: Philips Sunrise SR1200ZTUNV. ELV power supplies use ELV dimmer: Legrand, Adorne ADTP703TU; Lutron: Diva DVELV-300P, Skylark SELV-300P, Maestro MAELV-600 and Radio Ra 2

System: **C** Channel
 Size: **1RE** 1" Rectangle
 Product: **JBOX** Junction Box

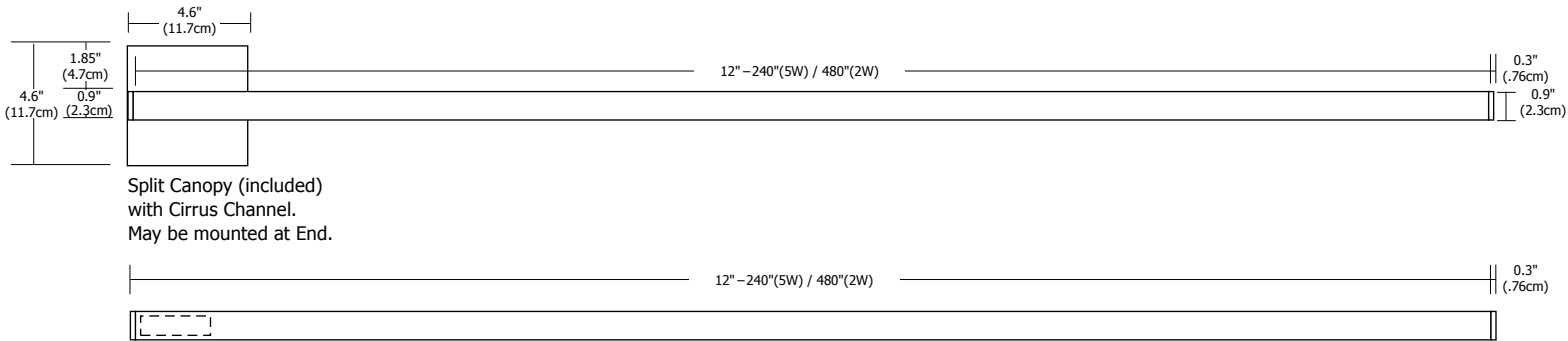
System: **CC** Cirrus Channel
 Lens: **D1** Direct 1" Lens
 Wattage/Voltage: **5WDC** 5 Watt 24 Volt DC
 Length in Inches: **240IN** 12-240 Order in 12 inch increments up to 240 inches (5W) or 480 (2.5W) May be ordered in 3, 5, 8 or 10 inch increments
 Color Temperature: **27K** 2700K Very Warm White
 Finish: **SN** Satin Nickel
 Options: **W** Wet Location (Up to 120")

PROJECT: _____ FIXTURE TYPE: _____ DATE: _____



CIRRUS CHANNEL D1, DIRECT 1" LENS 24VDC SYSTEM, 85+ OR 95+CRI

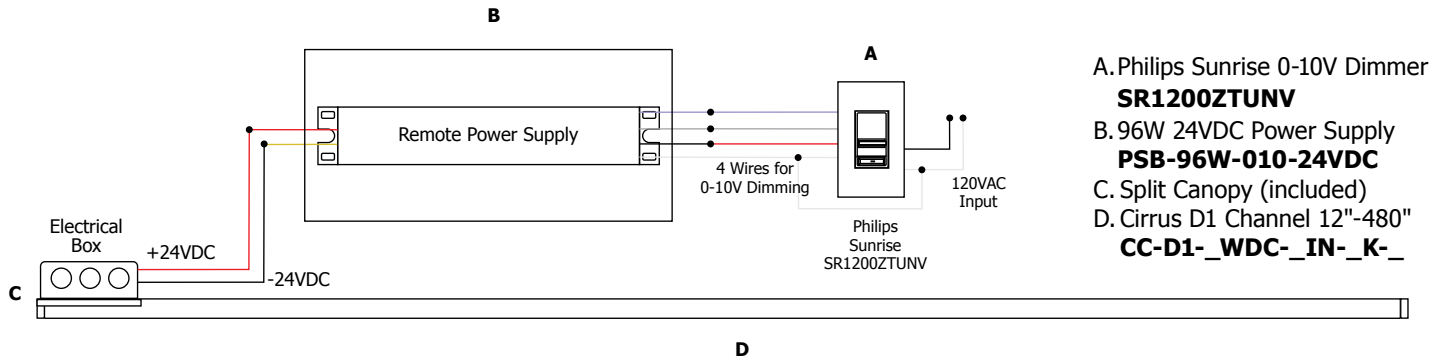
REV.05.14.15



Application: 0-10V dimming for Cirrus Channel D1, Direct 1" Lens

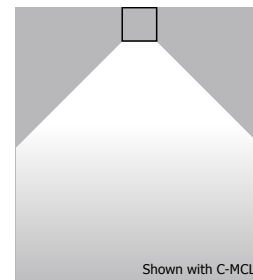
Power Supply: Class 2, 24VDC output: 120VAC input, PSB-25W-010-24VDC; 120-277VAC input, PSB-96W-010-24VDC; PSB-2X96W-010-24VDC

Dimming: Dimmable with 0-10V dimmer using power supplies above: Philips Sunrise SR1200ZTUNV, 0-10V dimmer recommended.



| Warm White 100° 5 Watt | |
|---------------------------|--------------|
| Distance | Foot Candles |
| 2ft | 126 |
| 3ft | 62 |
| 4ft | 39 |
| 6ft | 20 |
| 8ft | 12 |

| Warm White 100° 2.5 Watt | |
|-----------------------------|--------------|
| Distance | Foot Candles |
| 2ft | 71 |
| 3ft | 35 |
| 4ft | 22 |
| 6ft | 11 |
| 8ft | 7 |



PROJECT:

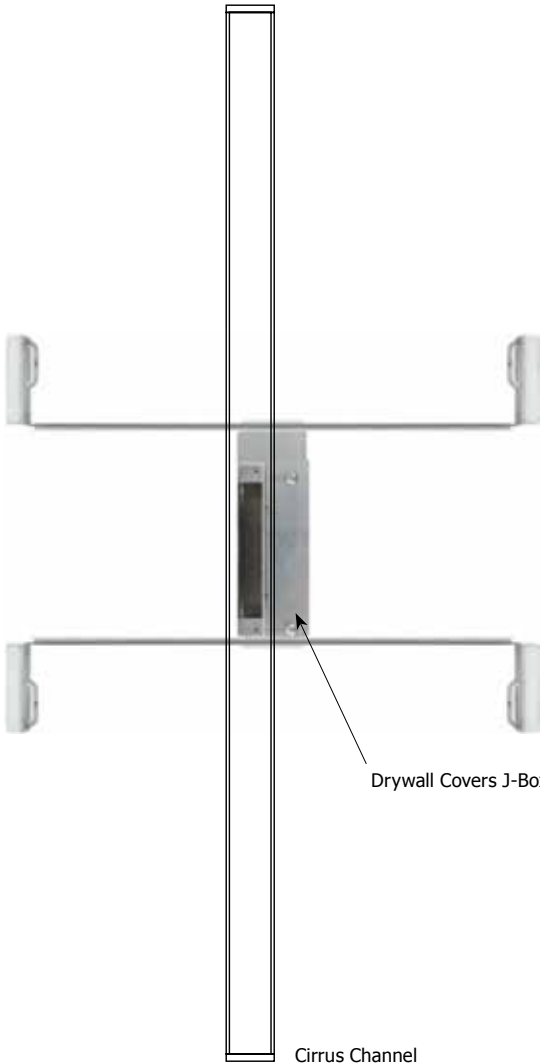
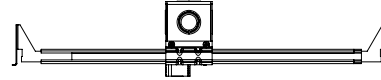
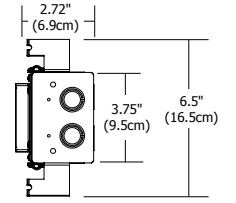
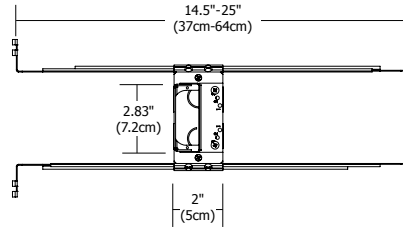
FIXTURE
TYPE:

DATE:



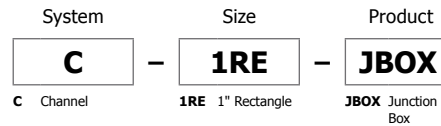
SLIM-PROFILE JUNCTION BOX

REV04.28.15



Description:

The Slim-Profile Junction Box with hanger bars mounts to studs spaced between 14.5"- 25" apart behind drywall. Allows low voltage DC wires from remote power supply to connect to channel wires. The junction box opening is covered by the fixture for a clean, safe connection. Includes a goof plate, for poor plastering around j-box, which may be plastered and painted.



PROJECT:

FIXTURE
TYPE:

DATE:

EDGE
LIGHTING

Please refer to chart below for exact lengths of the Cirrus Channel D1, Direct 1" Lens.

| CODE | LENGTH (INCHES) | CODE | LENGTH (INCHES) | CODE | LENGTH (INCHES) | CODE | LENGTH (INCHES) | CODE | LENGTH (INCHES) |
|-------|-----------------|-------|-----------------|-------|-----------------|-------|-----------------|-------|-----------------|
| 12IN | 13.1 | 108IN | 109.1 | 204IN | 205.4 | 300IN | 301.7 | 396IN | 398 |
| 15IN | 15.5 | 111IN | 111.5 | 207IN | 207.8 | 303IN | 304.1 | 399IN | 400.4 |
| 17IN | 17.9 | 113IN | 113.9 | 209IN | 210.2 | 305IN | 306.5 | 401IN | 402.8 |
| 20IN | 20.3 | 116IN | 116.3 | 212IN | 212.6 | 308IN | 308.9 | 404IN | 405.2 |
| 22IN | 22.7 | 118IN | 118.7 | 214IN | 215 | 310IN | 311.3 | 406IN | 407.6 |
| 24IN | 25.1 | 120IN | 121.1 | 216IN | 217.4 | 312IN | 313.7 | 408IN | 410 |
| 27IN | 27.5 | 123IN | 123.8 | 219IN | 219.8 | 315IN | 316.1 | 411IN | 412.4 |
| 29IN | 29.9 | 125IN | 126.2 | 221IN | 222.2 | 317IN | 318.5 | 413IN | 414.8 |
| 32IN | 32.3 | 128IN | 128.6 | 224IN | 224.6 | 320IN | 320.9 | 416IN | 417.2 |
| 34IN | 34.7 | 130IN | 131 | 226IN | 227 | 322IN | 323.3 | 418IN | 419.6 |
| 36IN | 37.1 | 132IN | 133.4 | 228IN | 229.4 | 324IN | 325.7 | 420IN | 422 |
| 39IN | 39.5 | 135IN | 135.8 | 231IN | 231.8 | 327IN | 328.1 | 423IN | 424.4 |
| 41IN | 41.9 | 137IN | 138.2 | 233IN | 234.2 | 329IN | 330.5 | 425IN | 426.8 |
| 44IN | 44.3 | 140IN | 140.6 | 236IN | 236.6 | 332IN | 332.9 | 428IN | 429.2 |
| 46IN | 46.7 | 142IN | 143 | 238IN | 239 | 334IN | 335.3 | 430IN | 431.6 |
| 48IN | 49.1 | 144IN | 145.4 | 240IN | 241.4 | 336IN | 337.7 | 432IN | 434 |
| 51IN | 51.5 | 147IN | 147.8 | 243IN | 244.1 | 339IN | 340.1 | 435IN | 436.4 |
| 53IN | 53.9 | 149IN | 150.2 | 245IN | 246.5 | 341IN | 342.5 | 437IN | 438.8 |
| 56IN | 56.3 | 152IN | 152.6 | 248IN | 248.9 | 344IN | 344.9 | 440IN | 441.2 |
| 58IN | 58.7 | 154IN | 155 | 250IN | 251.3 | 346IN | 347.3 | 442IN | 443.6 |
| 60IN | 61.1 | 156IN | 157.4 | 252IN | 253.7 | 348IN | 349.7 | 444IN | 446 |
| 63IN | 63.5 | 159IN | 159.8 | 255IN | 256.1 | 351IN | 352.1 | 447IN | 448.4 |
| 65IN | 65.9 | 161IN | 162.2 | 257IN | 258.5 | 353IN | 354.5 | 449IN | 450.8 |
| 68IN | 68.3 | 164IN | 164.6 | 260IN | 260.9 | 355IN | 356.9 | 452IN | 453.2 |
| 70IN | 70.7 | 166IN | 167 | 262IN | 263.3 | 358IN | 359.3 | 454IN | 455.6 |
| 72IN | 73.1 | 168IN | 169.4 | 264IN | 265.7 | 360IN | 361.7 | 456IN | 458 |
| 75IN | 75.5 | 171IN | 171.8 | 267IN | 268.1 | 363IN | 364.4 | 459IN | 460.4 |
| 77IN | 77.9 | 173IN | 174.2 | 269IN | 270.5 | 365IN | 366.8 | 461IN | 462.8 |
| 80IN | 80.3 | 176IN | 176.6 | 272IN | 272.9 | 368IN | 369.2 | 464IN | 465.2 |
| 82IN | 82.7 | 178IN | 179 | 274IN | 275.3 | 370IN | 371.6 | 466IN | 467.6 |
| 84IN | 85.1 | 180IN | 181.4 | 276IN | 277.7 | 372IN | 374 | 468IN | 470 |
| 87IN | 87.5 | 183IN | 183.8 | 279IN | 280.1 | 375IN | 376.4 | 471IN | 472.4 |
| 89IN | 89.9 | 185IN | 186.2 | 281IN | 282.5 | 377IN | 378.8 | 473IN | 474.8 |
| 92IN | 92.3 | 188IN | 188.6 | 284IN | 284.9 | 380IN | 381.2 | 476IN | 477.2 |
| 94IN | 94.7 | 190IN | 191 | 286IN | 287.3 | 382IN | 383.6 | 478IN | 479.6 |
| 96IN | 97.1 | 192IN | 193.4 | 288IN | 289.7 | 384IN | 386 | 480IN | 482 |
| 99IN | 99.5 | 195IN | 195.8 | 291IN | 292.1 | 387IN | 388.4 | | |
| 101IN | 101.9 | 197IN | 198.2 | 294IN | 294.5 | 389IN | 390.8 | | |
| 104IN | 104.3 | 199IN | 200.6 | 296IN | 296.9 | 392IN | 393.2 | | |
| 106IN | 106.7 | 202IN | 203 | 298IN | 299.3 | 394IN | 395.6 | | |

PROJECT:

FIXTURE
TYPE:

DATE:

