

3/8" Feed Through Power Stem



4.6" Round Canopy



2.8" Square Canopy



4.6" Square Canopy

Description:

Kurve Display Sign features a lambertian white diffuser that provides uniform light without hotspots. At 7.5 watts per foot, the 24 volt DC channel contains 85+ or 95+ CRI LEDs and mounts 14" from wall. It may be ordered with a 4.6" round or square canopy that fits on a standard 4" square electrical box with round plaster ring; a 2.8" square canopy, or a special feed-thru stem for floating signs. Hinges on the fixture arm rotates up to 90 degrees (from facing the wall to straight down). Kurve is powered by a Class 2 remote power supply up to 40 feet away. Available from 12 inches to 120 inches/10 feet. May be ordered in 3, 5, 8 or 10 inch increments. Fixtures include a 5 year warranty.

Finish:

Satin Nickel, Chrome, Antique Bronze, Satin Aluminum, White or Satin Black Custom finishes available

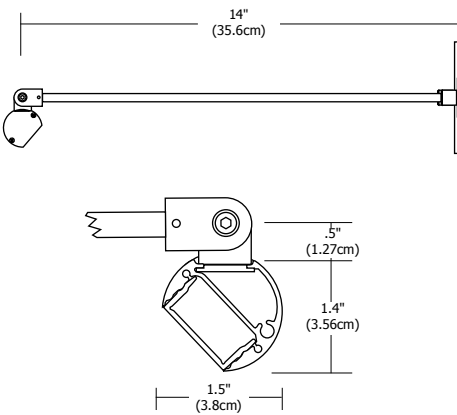
Applications:

Wall wash and retail stores

Lamp:

Version	Watts per Foot	Lumens per Watt per Foot	85+CRI	95+CRI	50,000 Hour Lamp Life
7WDC	7.5	36	●	●	●

Lumen values are based on the 3000K LED test.



24VDC Power Supply (sold separately):

- PSB-25W-010-24VDC** 120VAC input, 25 watt output
- PSB-96W-010-24VDC** 120-277VAC input, 96 watt output
- PSB-2X96W-010-24VDC** 120-277VAC input, 2x96 watt output
- PSB-3X96W-010-24VDC** 120-277VAC input, 3x96 watt output
- PSB-4X96W-010-24VDC** 120-277VAC input, 4x96 watt output
- PS-40W-ELV-24VDC** 120VAC input, 40 watt output
- PSB-60W-ELV-24VDC** 120VAC input, 60 watt output
- PSB-100W-ELV-24VDC** 120VAC input, 96 watt output
- PSB-2X100W-ELV-24VDC** 120VAC input, 2x96 watt output
- PSB-3X100W-ELV-24VDC** 120VAC input, 3x96 watt output
- PSB-4X100W-ELV-24VDC** 120VAC input, 4x96 watt output

Dimming:

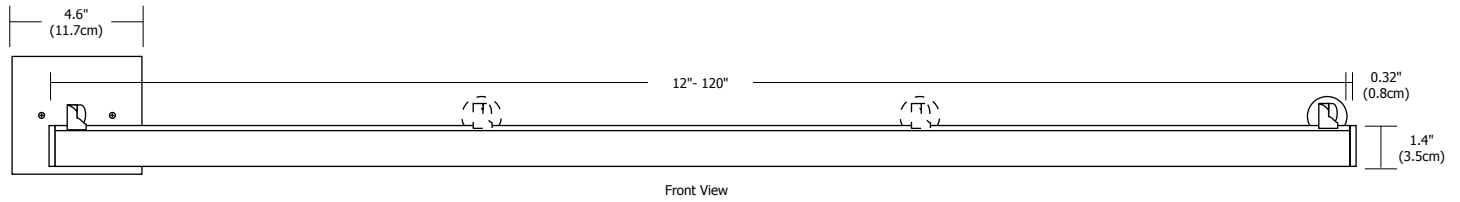
010 power supplies use 0-10V dimmer: Philips Sunrise SR1200ZTUNV.
 ELV power supplies use ELV dimmer: Legrand, Adorne ADTP703TU;
 Lutron: Diva DVELV-300P, Skylark SELV-300P, Maestro MAELV-600 and Radio Ra 2

System	Wattage/Voltage	Canopy	Length In Inches	Color Temperature	Finish
KD	7WDC	4RD	120IN	27K	SN
<small>KD Kurve Display</small>	<small>7WDC 7.5 Watt 24 Volt DC</small>	<small>2SQ 2.8" Square 4RD 4.6" Round 4SQ 4.6" Square FTP Feed-Through Power Stem</small>	<small>12-120 Order in 12 inch increments up to 120 inches May be ordered in 3, 5, 8 or 10 inch increments</small>	<small>24K 2400K Amber White 27K 2700K Very Warm White 30K 3000K Warm White 35K 3500K Neutral White 40K 4000K Cool White 57K 5700K Daylight White</small>	<small>SN Satin Nickel CH Chrome BZ Antique Bronze SA Satin Aluminum BK Satin Black WH White</small>

PROJECT: _____ FIXTURE TYPE: _____ DATE: _____ **EDGE LIGHTING**

KURVE DISPLAY SIGN 24VDC SYSTEM, 85 OR 95+CRI

REV05.17.16



Satin Aluminum Anodized



Satin Nickel Anodized



Antique Bronze Anodized



Satin Black Anodized



Chrome Plated

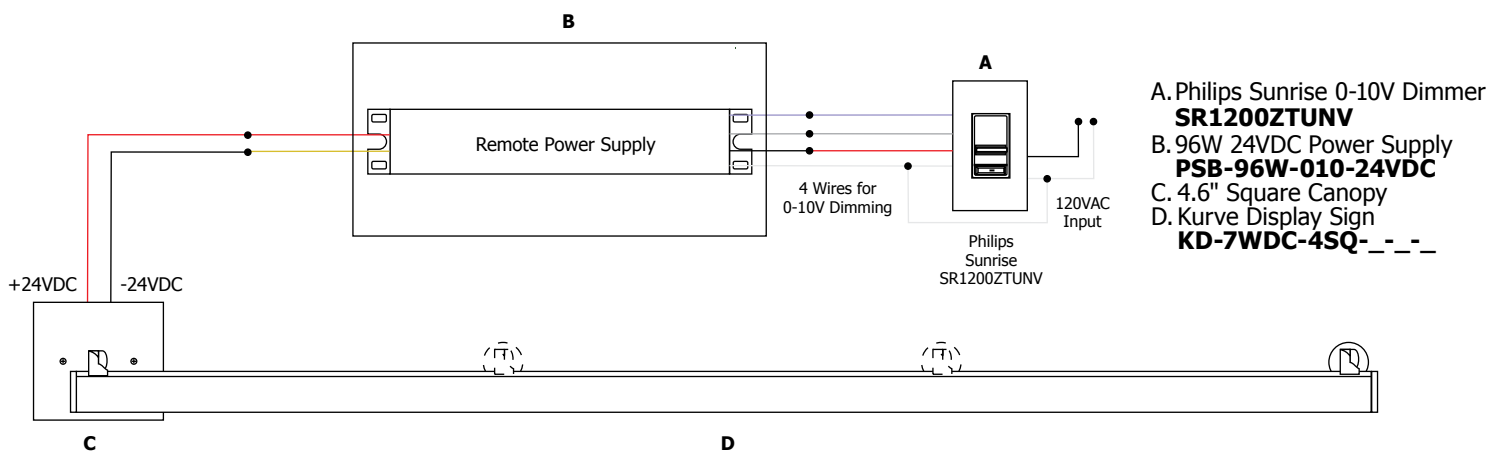


White Powder Coated

Application: 0-10V dimming for Kurve Display Sign

Power Supply: Class 2, 24VDC output: 120VAC input, PSB-25W-010-24VDC; 120-277VAC input, PSB-96W-010-24VDC; PSB-2X96W-010-24VDC

Dimming: Dimmable with 0-10V dimmer using power supplies above: Philips Sunrise SR1200ZTUNV, 0-10V dimmer recommended.



Fixture Mounted 14 inches from wall

	████████████████████					
1'	91	91	91	91	91	91
2'	52	52	52	52	52	52
3'	28	28	28	28	28	28
4'	22	22	22	22	22	22
5'	14	14	14	14	14	14
6'	11	11	11	11	11	11
7'	9	9	9	9	9	9
8'	5	5	5	5	5	5

PROJECT:

FIXTURE TYPE:

DATE:



Please refer to chart below for exact lengths of the Kurve Display Sign

CODE	LENGTH (INCHES)	CODE	LENGTH (INCHES)
12IN	13.1	68IN	68.3
15IN	15.5	70IN	70.7
17IN	17.9	72IN	73.1
20IN	20.3	75IN	75.5
22IN	22.7	77IN	77.9
24IN	25.1	80IN	80.3
27IN	27.5	82IN	82.7
29IN	29.9	84IN	85.1
32IN	32.3	87IN	87.5
34IN	34.7	89IN	89.9
36IN	37.1	92IN	92.3
39IN	39.5	94IN	94.7
41IN	41.9	96IN	97.1
44IN	44.3	99IN	99.5
46IN	46.7	101IN	101.9
48IN	49.1	104IN	104.3
51IN	51.5	106IN	106.7
53IN	53.9	108IN	109.1
56IN	56.3	111IN	111.5
58IN	58.7	113IN	113.9
60IN	61.1	116IN	116.3
63IN	63.5	118IN	118.7
65IN	65.9	120IN	121.1

PROJECT:

FIXTURE
TYPE:

DATE:

