

## Installation Instructions for SS3 Soft Strip LED 2.6W/ft 24 Volt BBB

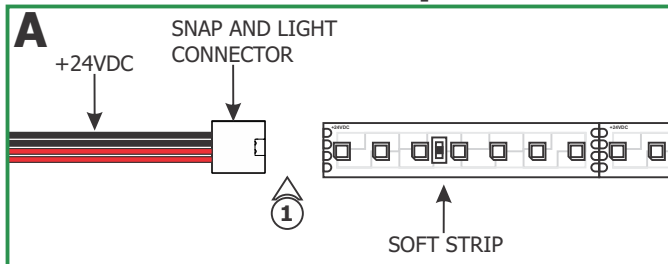
### IMPORTANT INFORMATION

- This product is ETL listed for indoor locations.

**SAVE THESE INSTRUCTIONS!**



### Install the Soft Strip

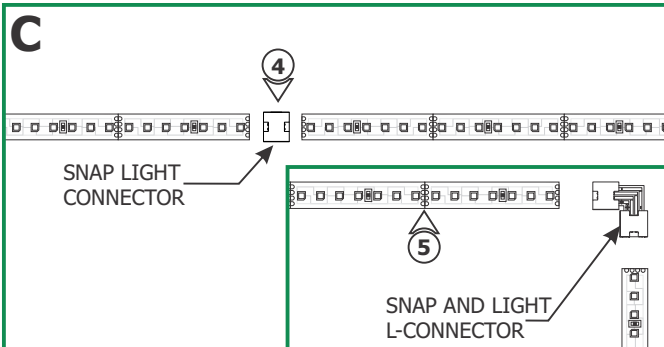
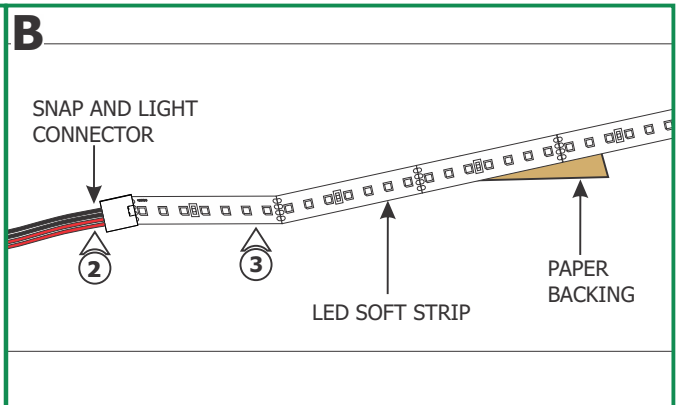


**NOTE:** Aluminum heat sink tape (SS-HR-F) is sold separately to help dissipate heat generated by LEDs.

**1:** Align the LED soft strip power wires so that the solid red wire of the power feed pin connects to 24VDC soft strip pin.

**NOTE:** Avoid bending the soft strip in sharp angles which may damage the LEDs. Soft Strips do not bend at 90° angles to itself. Use proper directional connectors for 90° turns.

- 2: Push the soft strip power connector onto the mating soft strip connector.
- 3: Carefully remove the backing from the LED soft strip, make sure not to remove the tape from the soft strip. Firmly press down the adhesive portion of the soft strip onto the mounting surface while removing the rest of the backing, making sure there are no air bubbles that can cause surface irregularities.

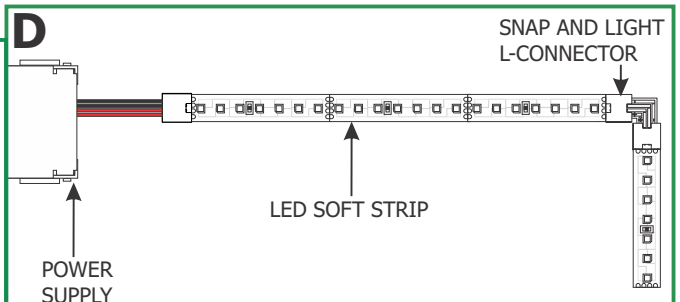


**4:** Add additional pieces of soft strip by connecting the two strips using a Snap and Light Connector.

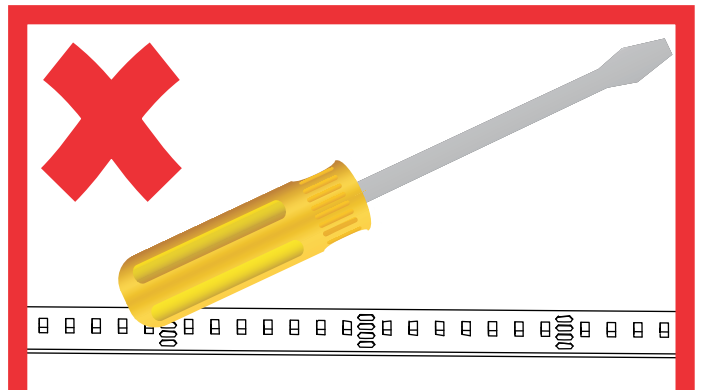
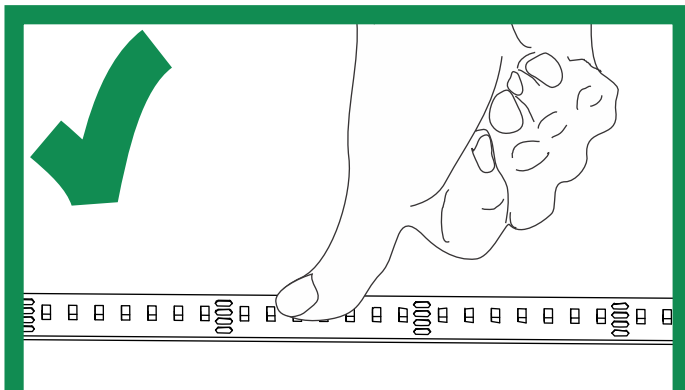
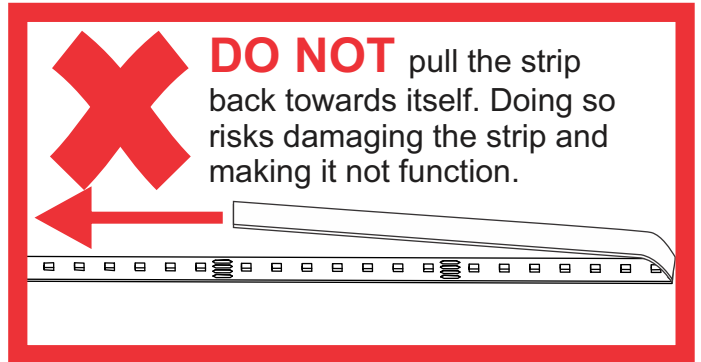
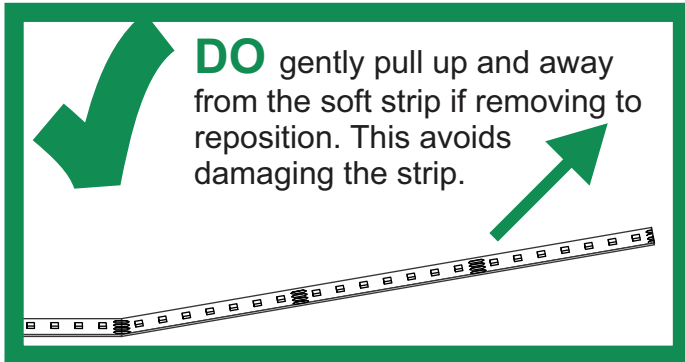
**5:** The 2.4" long soft strips can be used for fine adjustments.

- 6: Use the optional end cap to cover the end of the soft strip.
- 7: Cut excess soft strip at cut lines **ONLY**. Once the soft strip is cut, it cannot only be extended using Snap and Light connectors (sold separately, refer to included instructions).
- 8: Install the power supply. Refer to instructions included with the power supply.

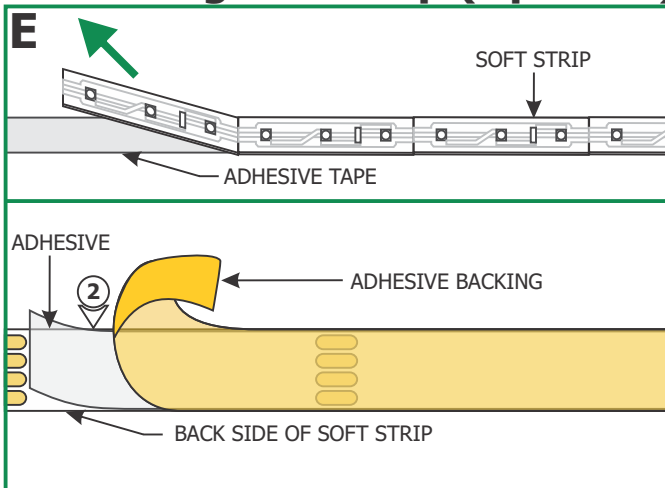
**NOTE:** SS3 BBB soft strip consumes on average 2.6 Watt per foot.



## IMPORTANT INFORMATION REGARDING INSTALLATION AND REWORK OF SOFT STRIP LED



### Relocating Soft Strip (Optional)



**NOTE:** If relocating the installed soft strip, make sure that the adhesive tape on back of the soft strip covers the entire strip. Damaged or inconsistent adhesive tape may cause the strip to short and burn. Call Edge Lighting to get replacement adhesive tape and/or optional aluminum heat sink tape (SS-HR-F)

- 1:** To remove tape residue from back of the strip, apply WD-40, Goo Gone, or a mixture of warm water and lemon oil to the corner of a clean, dry towel. Gently buff the area containing the adhesive residue until it is completely removed.
- 2:** Gently remove a few inches of the from one side of the tape backing. Attach the adhesive tape to the back of the soft strip and apply moderate pressure to affix the tape. Continue this step a few inches at the time until the entire adhesive tape is attached to back of the soft strip.
- 3:** Refer to the steps on 1 through 8 to reinstall the soft strip.

# Wiring Diagram

