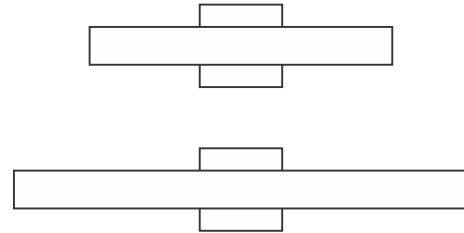


Installation Instructions for Alpha 4, 7, 16, and 24 LED

IMPORTANT INFORMATION

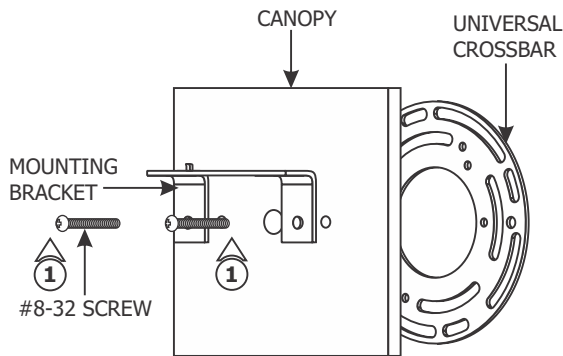
- Use this fixture indoors only.
- This product is ETL listed for damp locations.
- This product is wall mounted only.
- This product can mount to either a 4" square junction box with round plaster ring or an octagon junction box.
- This product can be dimmed with a standard low-voltage electronic dimmer.
- This product must be installed by a qualified electrician.
- **Before beginning any electrical work, ensure that power to the junction box is turned OFF.**

SAVE THESE INSTRUCTIONS!



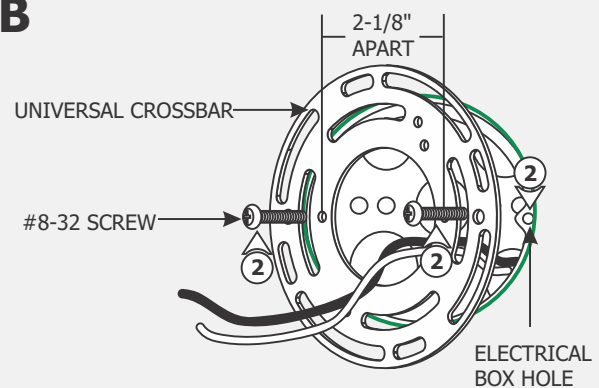
Install the Fixture

A



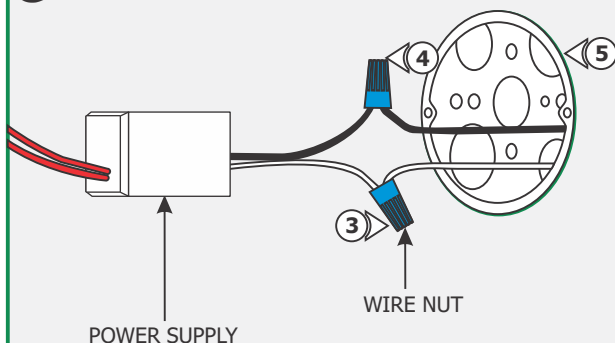
- 1:** Loosen the two #8-32 screws from the canopy to remove the universal crossbar.

B

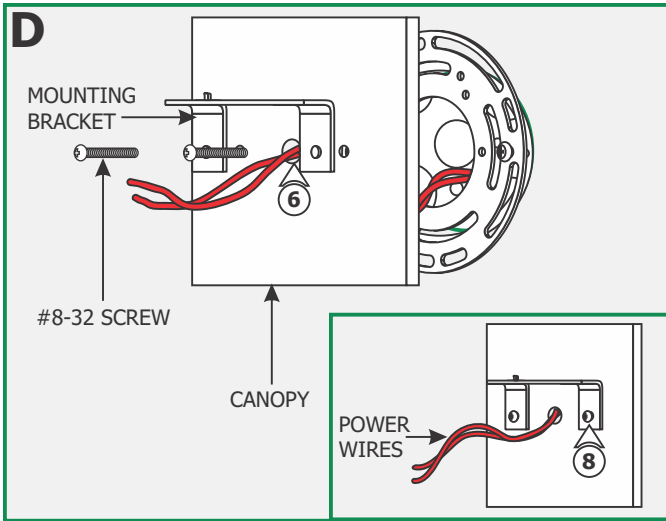


- 2:** Mount the universal crossbar to the electrical box holes with the provided #8-32 screws so that the two inner threaded holes (spaced 2-1/8" apart) on crossbar are leveled horizontally.

C

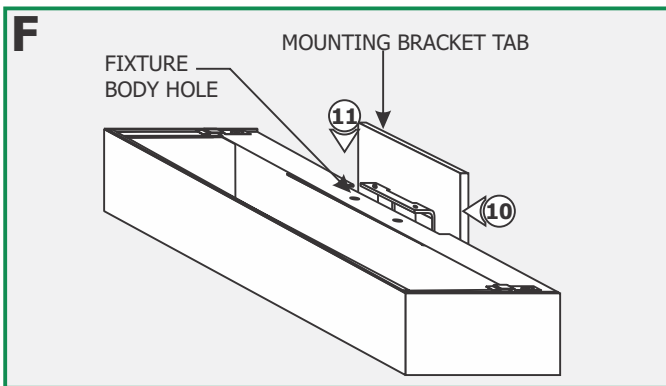
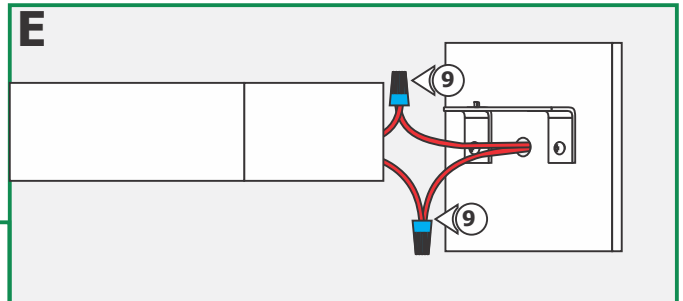


- 3:** Connect the white power supply wire to the neutral power wire with a wire nut.
- 4:** Connect the black power supply wire to the hot power wire with a wire nut.
- 5:** Place the power supply and wires inside the electrical box.



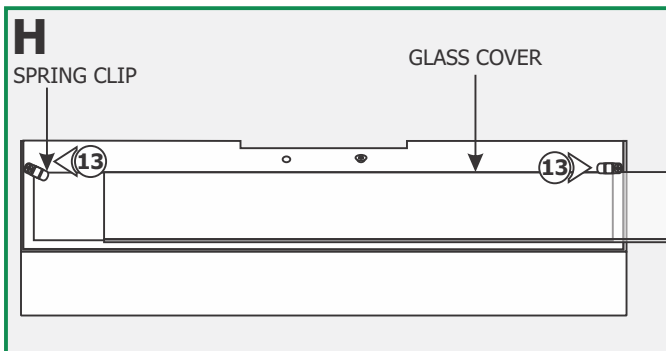
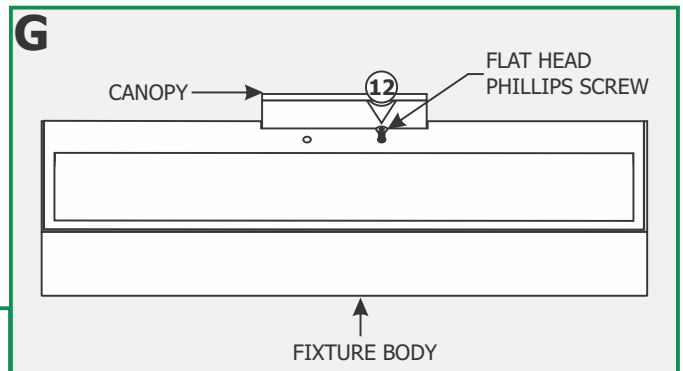
- 6:** Feed the power wires through the canopy center hole.
- 7:** Make sure that the canopy is grounded in accordance with local electrical codes.
- 8:** Secure the canopy to the universal crossbar by tightening the two #8-32 screws through the mounting bracket holes into the two inner threaded crossbar holes.

9: Connect each power supply wire to a fixture body wire (either one) with a wire nut.



- 10:** Place all wires and wire nut connections behind the fixture body.
- 11:** Place the left fixture body hole onto the mounting bracket tab.

12: Secure the right fixture body hole with the flat head Phillips screw provided.



13: Loosen the screws on the spring clips (**Do Not Remove**) to insert the glass cover under the clips. Slightly tighten the spring clip screws to secure the glass cover in place.