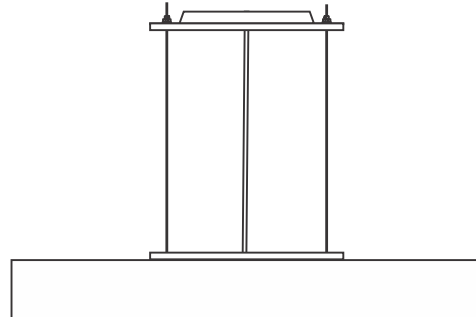


## Installation Instructions for Vega Round and Oval (Halogen Version)

### IMPORTANT SAFETY INSTRUCTIONS

To reduce the risk of fire, electrical shock, exposure to excessive UV radiation, or injury to persons:

- Do not look directly at the lamp while the fixture is on.
- **RISK OF FIRE:** Use only the type of lamp and maximum wattage indicated in this instruction manual.
- Never cover the halogen lamp with anything other than a lamp shield provided by Edge Lighting and never place flammable material close to the fixture.
- Never turn the fixture on and off by connecting and disconnecting the halogen lamp.
- Do not touch the fixture head, shade or lamp shield while the fixture is on. These surfaces may be **VERY HOT**.
- Do not touch lamp at anytime. Use a soft cloth instead as oil from skin may damage lamp.
- It is normal for a new halogen lamp to produce minor smoke when first turned on.
- Do not operate the luminaire with a missing or damaged shield.
- Turn power off and allow to cool before replacing lamp.

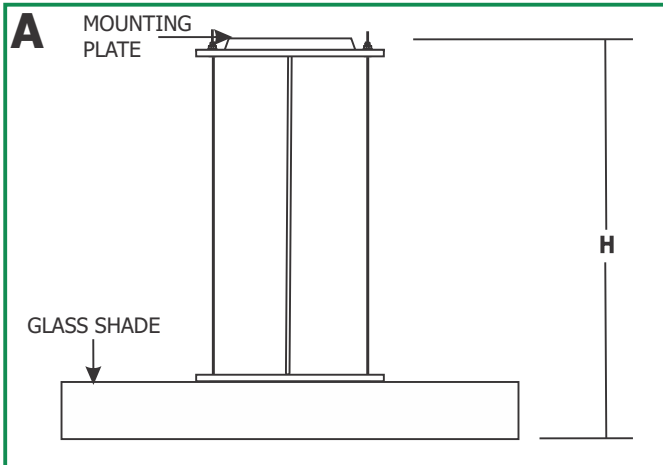


### IMPORTANT INFORMATION

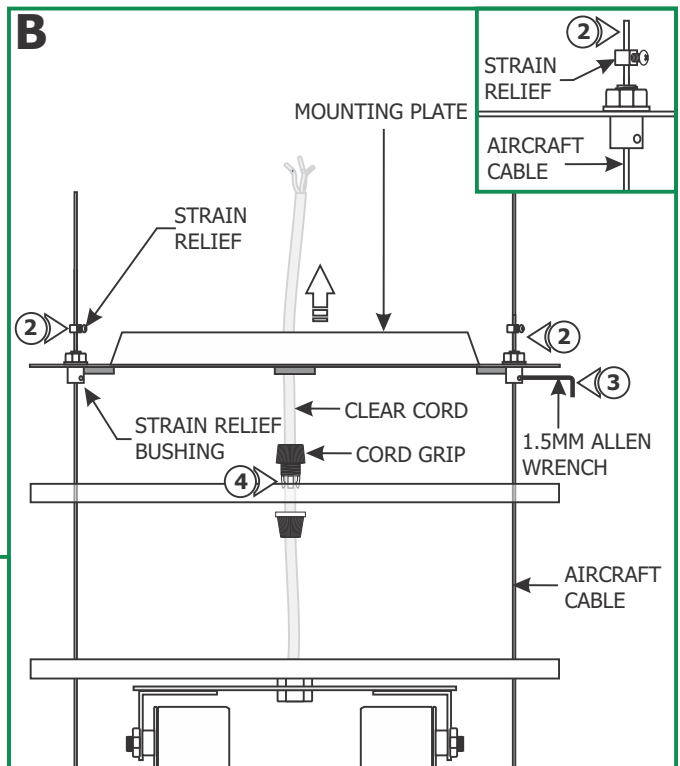
- This product is ETL listed for indoor locations.
- This product can **ONLY** be ceiling mounted.
- This product can mount to either a 4" square electrical box with round plaster ring or an octagon electrical box.
- This product can be dimmed with a low voltage electronic dimmer.

**SAVE THESE INSTRUCTIONS!**

## Adjust the Fixture Height



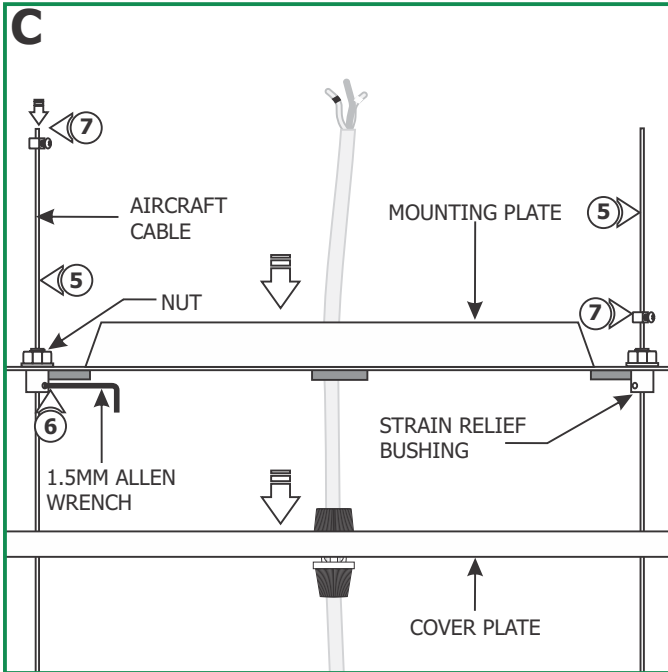
**1:** Determine the desired fixture height (**H**), from the bottom of the glass shade to the top the mounting plate.



**2:** Loosen the Phillips screw on each of the strain reliefs (**Do Not Remove**).

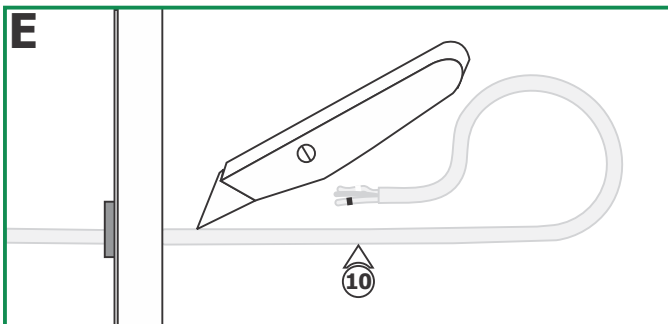
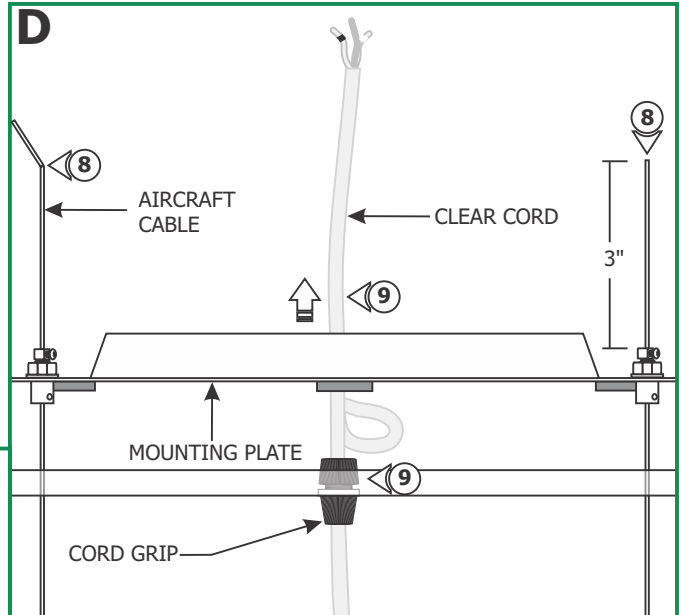
**3:** Loosen the set screws on the strain relief bushings with the provided 1.5mm Allen wrench.

**4:** Loosen the cord grip to adjust the clear cord.



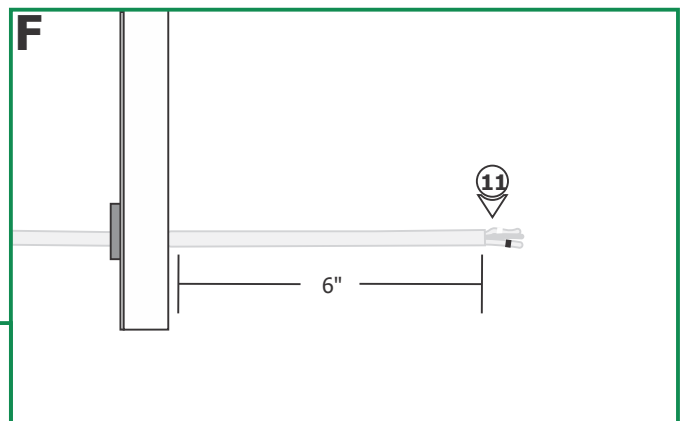
- 5:** While holding the aircraft cables slide the mounting plate, cover and the socket assembly down until the desired height is achieved.
- 6:** Tighten the set screw on each strain relief bushing with the 1.5mm Allen wrench.
- 7:** Slide the strain relief down the aircraft cable against the mounting plate and tighten the Phillips screw. Repeat this step for the remaining strain reliefs.

- 8:** Cut the excess aircraft cables off with a sharp cutter (Leave at least 3" of the cable behind the strain reliefs).
- 9:** Pull the excess clear cord out of the mounting plate and tighten the cord grip.

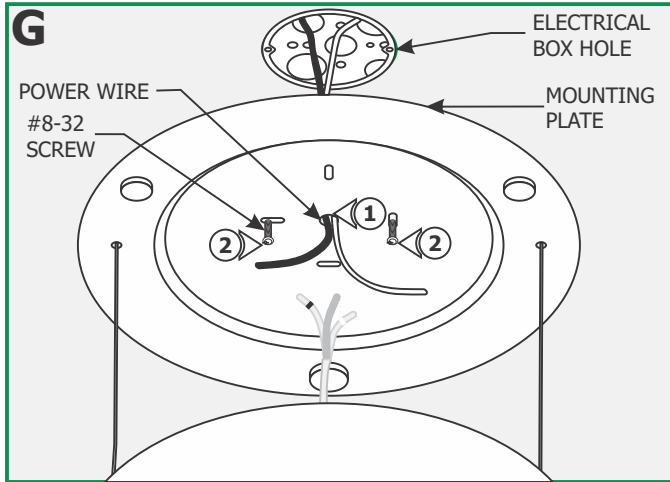


- 10:** From the end of the clear cord, strip the outer insulation using a sharp knife. **Make sure not to nick the inner wires and trim off the cutout insulation.**

- 11:** Replace the wires with the black and white tags near the insulation. Leave 6" of the wire behind the mounting plate for power connection. Trim off the excess wires.



# Install the Fixture

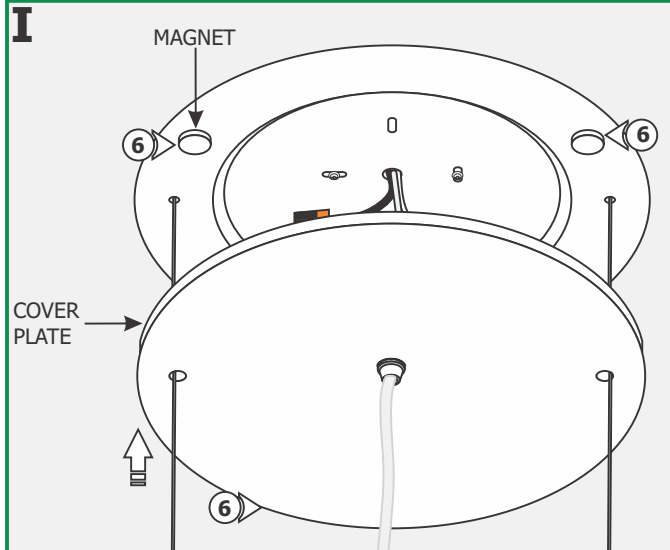
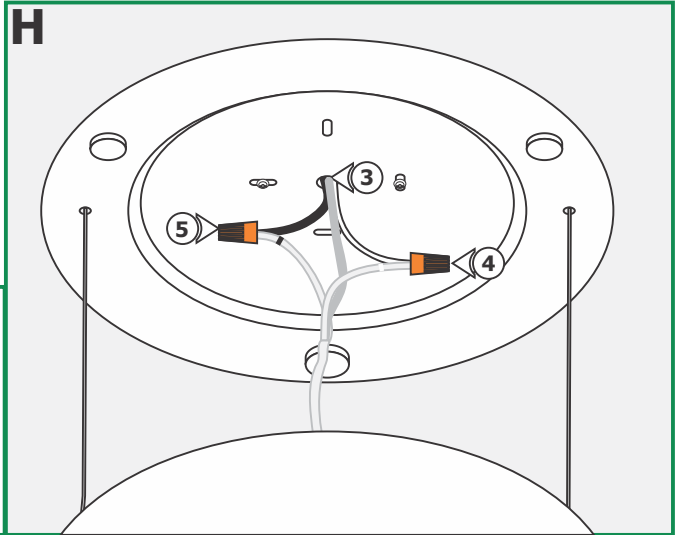


**NOTE:** Make sure the glass shade is detached.

**NOTE:** Use the provided universal crossbar if the mounting plate holes do not line up with the electrical box holes.

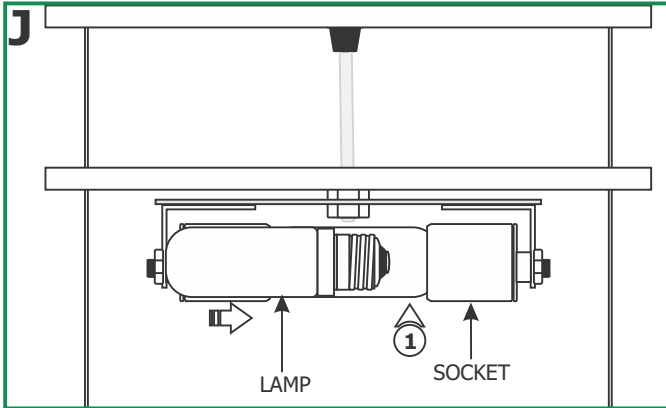
- 1: Feed the power wires through the mounting plate center hole.
- 2: Secure the mounting plate to the electrical box holes with the two #8-32 screws provided.

- 3: Make sure the mounting plate and the bare wire is grounded in accordance with local electrical codes.
- 4: Connect the clear wire with a white tag to the neutral power wire with a wire nut.
- 5: Connect the clear wire with a black tag to the hot power wire with a wire nut.



6: Slide the cover plate up against the mounting plate, the magnets will hold the cover plate in place.

# Install the Lamps and Shade

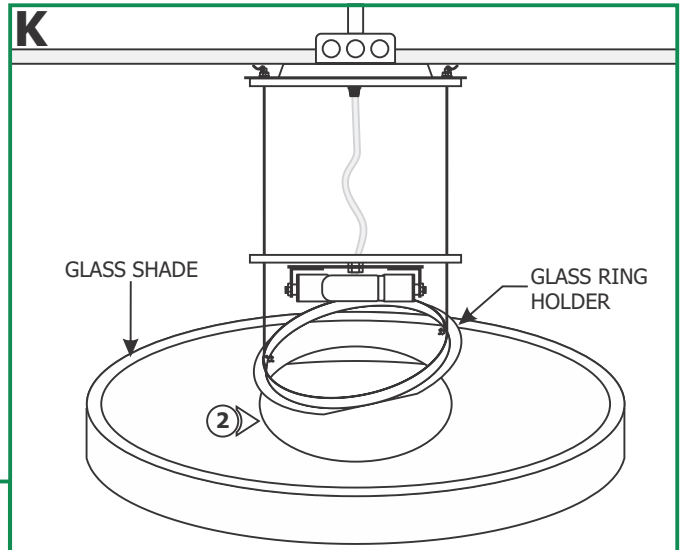


**CAUTION:** To reduce risk of a burn or electrical shock during lamping, disconnect the power to the fixture.

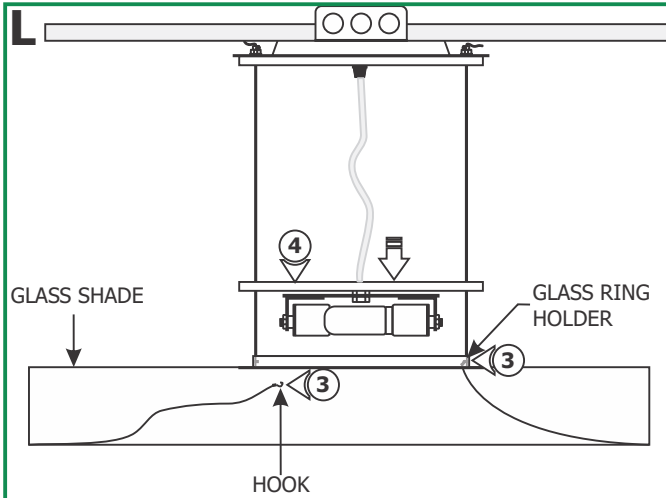
Use **MAX 150** Watt Type T10 Medium Base Halogen Lamp For Each Socket.



**1:** Screw each lamp completely into the socket holes.

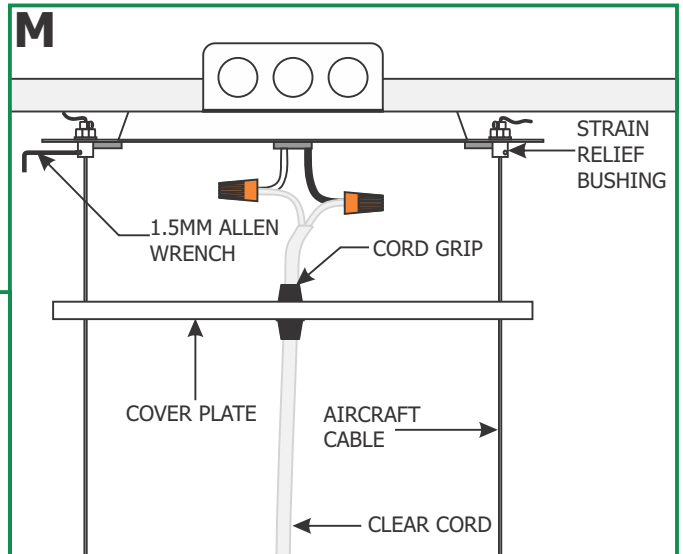


**2:** Insert the glass ring holder on an angle into the glass shade center hole and lay the glass shade on the glass ring holder.



**3:** To secure the glass shade in place, use the hooks inside the glass shade and hook them inside of the glass ring holder.

**4:** Lower the socket assembly into the glass shade.



**5:** If the glass shade is not leveled horizontally, slide the cover plate down to expose the mounting plate.

**6:** Readjust the uneven aircraft cable by loosening the set screw on the strain relief bushing with the 1.5mm Allen wrench. Push the aircraft cable in and re-tighten the set screw.

**7:** Slide the cover plate up against the mounting plate.