

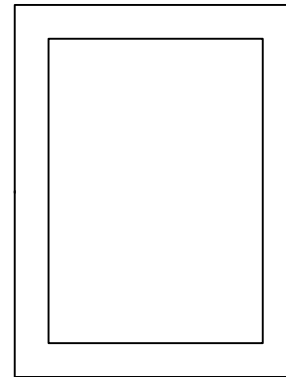


EDGE
LIGHTING

© 2015 Edge Lighting. All Rights Reserved.

1718 W. Fullerton Ave
Chicago, IL 60614
Tel: 773-770-1195
Fax: 773-935-5613
www.edgelighting.com
info@edgelighting.com

SAIL-25x-33-LED



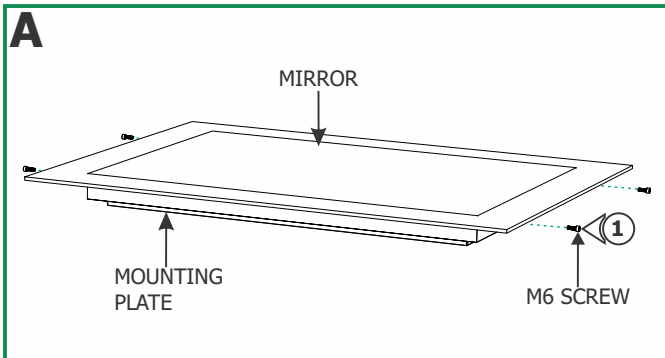
Installation Instructions for Sail LED

IMPORTANT INFORMATION

- This product is wall mounted only.
- Supply power to mirror in accordance with local electrical codes.
- This instruction shows a typical installation
- This product is dimmable with ELV dimmers.

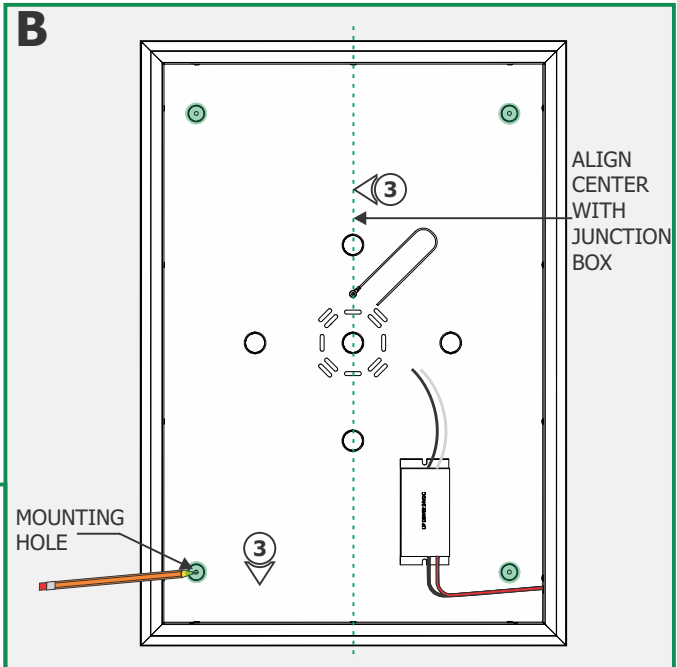
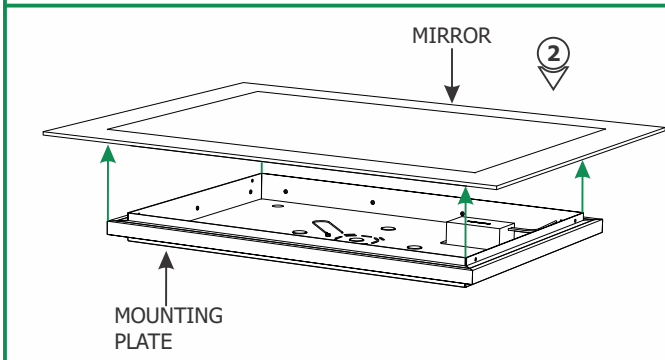
SAVE THESE INSTRUCTIONS!

Install the Mirror



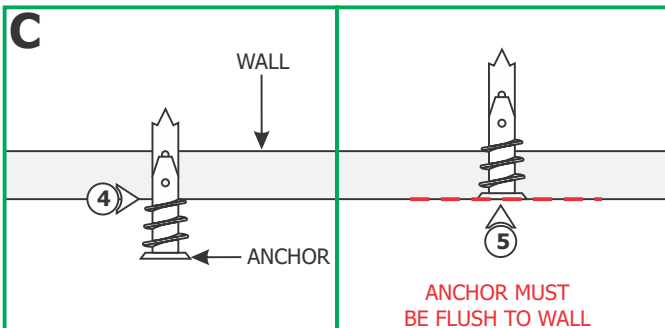
NOTE: It is recommended that one person holds the mounting plate while the electrician installs it.

- 1: Loosen and remove the four M6 screws on the top and bottom of the mounting plate with the 3mm Allen wrench.
- 2: Pull the mounting plate completely out of the mirror.

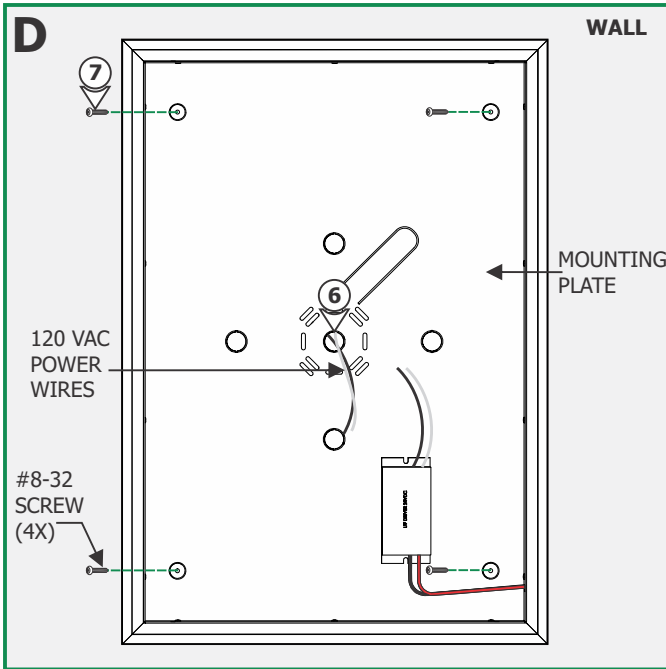


- 3: Align the mounting plate hole with the power line conduit, or junction box. Use the mounting plate as a template to mark four mounting holes (highlighted in GREEN) onto the wall.

NOTE: Make sure that the mounting plate is leveled horizontally.



- 4: Tap the anchors onto the marked points up to the threaded portion with a hammer.
- 5: Screw in the threaded portion of the anchors with a Phillips screwdriver.



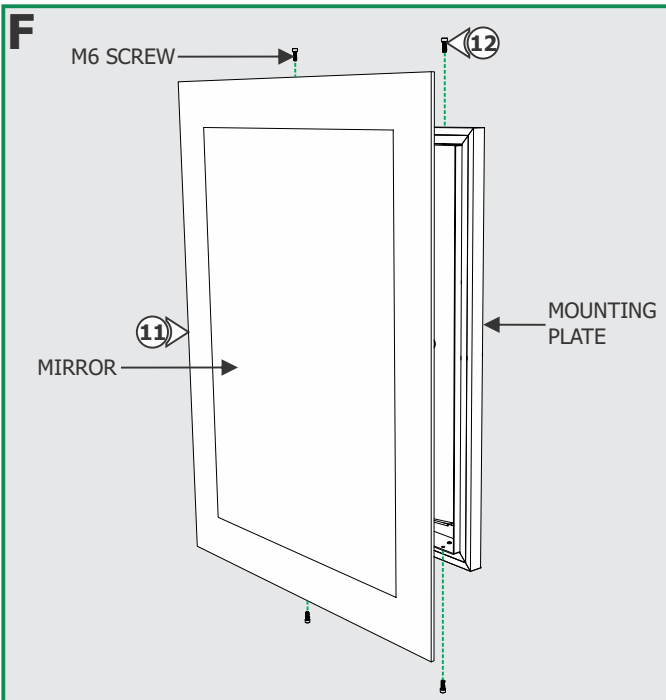
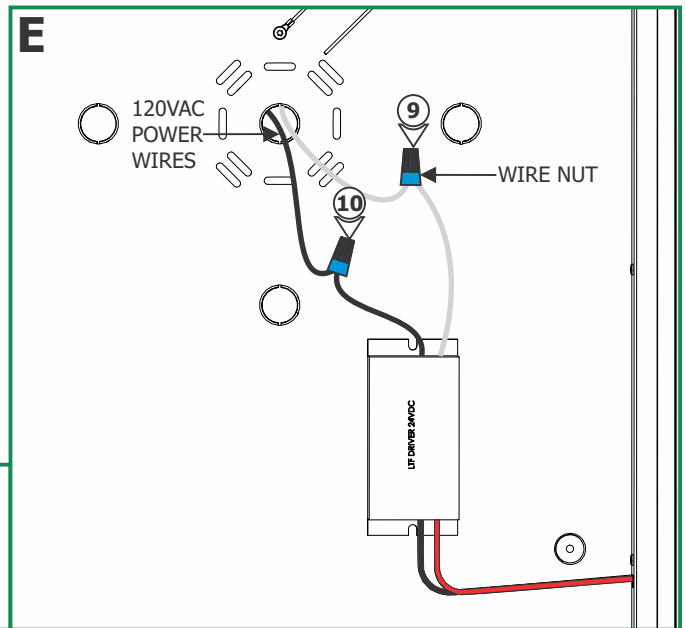
6: Feed the 120 VAC power wires through the mounting plate.

7: Line up the mounting plate holes with the anchors and secure it with the eight #8-32 screws provided.

8: Ensure the mounting plate is grounded in accordance with local electrical codes.

NOTE: Contains integrated 24V LED lights consuming a total of 48 Watts.

- 9:** Connect the 120VAC hot wire to the hot transformer wire using a wire nut.
- 10:** Connect the 120VAC neutral wire to the neutral transformer wire using a wire nut.



11: Carefully place the mirror onto the mounting plate.

12: Secure the mirror to the mounting place by tightening four